

# ORANIER

Heiztechnik



Wood- & Pellet stoves



**ORANIER**

Heiztechnik





### Profiled burning chamber lining

The furnace lining has profiled vermiculite components with high strength and attractive surface. It looks nice and provides the required turbulence of the gases for clean combustion.



### Heat-storage stone „W+“

Our heat storage stone „W+“ is integrated into the product and can save heat and emit it to the room up to 13 hours after the fire extinguished.



### Automatic control

Automatic control of combustion air – with individual setting for wood and brown coal briquettes.



### 24h continuous operation

A special feature of quality and environmental friendliness. The Oven can be used temporary unlimited. Use only permissible fuels. Check the manual!



### Room heating capability

The room heating capacity is used to select the proper burning stove performance.



### Efficiency

The efficiency describes the actual usable part of the fuel energy. The residual energy is required for the function of the chimney.



### ORANIER safe-locking system

The closed door remains permanently tight. The hydraulic system is almost maintenance free and hardwearing. The door is easy to use and provides an extremely low noise level.

#### **Please notice:**

Stoves with an approval of the DBIT (German Institute for Building Technology) can be operated independent of ambient air in combination with fresh air, flue pipe and firing room without additional safety equipment.



### Multi point locking system

The multi-point locking prevents warping of the fire door caused by high temperatures. In addition the special sealing prevents from unwanted air supply and keeps the combustion quality stable in the oven.



### External combustion air supply

In modern, more dense buildings with controlled ventilation systems, the combustion air must be supplied from the outside so there can not arise a vacuum in the living room. This requires a separate external air supply.

#### **Please notice:**

The simultaneous operation of a stove with solid fuels and controlled ventilations systems is only permitted, if the stove has an approval under building law as independent of ambient air stove according to DBIT. The stove has to be equipped with a security device e.g. low pressure warning device that has access to the ventilation systems and is able to turn them off in case a vacuum arises.

Please find more information about DIBT in the user manual.



### Airwash system

A deliberately conducted airflow prevents condensation and deposition of flue gases at the inside of the glass. This keeps the window clear.



### Triple-air-system

The special ORANIER triple-air-system provides for the ideally dosed air supply exactly where it is needed for the combustion. The desired result is an especially clean and efficient combustion.



### Water-heat-exchanger

Water heat exchanger in stoves offer the option to supply a portion of the thermal power produced into the central heating system. As a result a saving in oil and gas and a reduction of CO<sub>2</sub> emissions occurs.



### Combustion chamber: length of logs

ORANIER combustion chambers are dimensioned for log length from 25 to 40 cm.



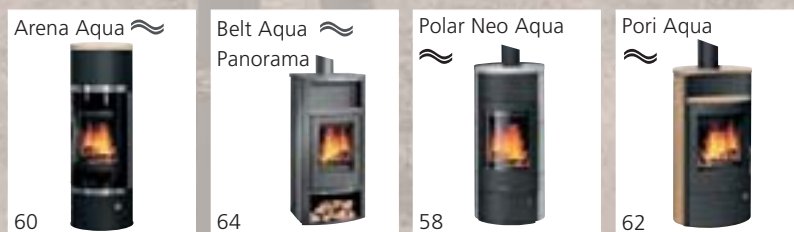
### Air-flow handle

By air circulation through the ergonomically shaped handle the temperature on the surface is largely reduced.

## Wood stoves



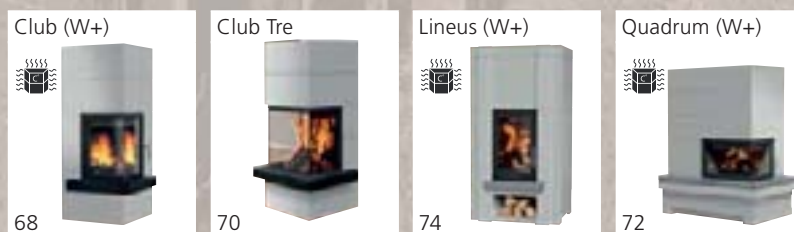
## Wood stoves with boiler function ≈



## Accessories / color variants / technical data

Accessories for wood and pellet stoves	82
≈ Accessories for wood stoves with boiler function	83
Smoke pipe accessories	84
Base plates	86
Color variants and base plates	86
Technical data	90

## Wood stove sets



## Interesting facts

Company	04
Energy efficiency class label	07
Our technique	08
Customer service request	94
Terms and conditions	95

## Pellet stoves







**ORANIER**  
Heiztechnik

# *Fire is our passion*

*This has been driving us at ORANIER for more than 100 years.  
Therefore tradition does not mean to preserve the ashes, but to pass on the fire.  
ORANIER – from the heart of Germany into your home.*

***Coziness. Relaxation. Inspiration.***

## ORANIER: a traditional company looking into the future



ORANIER looks back on a history of more than 100 years. ORANIER was founded in Dillenburg, in Hesse, a province in central Germany, which used to be the seat of the noble house of Oranien-Nassau, forming what was later to become the royal house of Holland.

In the year 2000 the company JUSTUS was taken over and the company moved to the nearby town Gladenbach. As a result of continuing growth in the year 2015,

ORANIER moved back into its area of origin. The new premises provide the necessary space, as well as an optimal traffic connection to the A45 highway.

For ORANIER, tradition is not to preserve the ashes, but to pass on the flame.

With our team of 160 people, we want to offer you innovative technology, convincing quality and a full service.

**Committed to our tradition**



## Innovative technology

ORANIER specializes in individual room heaters. The relevant knowledge about solid-fuel- and gas stoves which has been acquired over the few years has been developed into innovative product solutions. Our primary focus is to connect efficiency and usability with modern, functional and forward-looking design.

All of our appliances are characterized by an optimized combustion technology. This complies with the latest legal regulations and shows emission limit values which are far below those which are prescribed.

**Committed to our tradition**

## Convincing quality

ORANIER is dedicated to product quality as a corporate goal with special commitment. We focus on quality design of components, high-quality materials and the implementation and monitoring of the entire production process.

All this is secured by the establishment of, and strict compliance with corresponding quality standards.

In this way suppliers and employees share the quality responsibility from the very beginning.

**Committed to our tradition**



Arena W+ with  
Cover plate Glass

## Comprehensive service

Should any technical question or spare part requirement come up concerning one of our products, customers can contact our skilled service team.

ORANIER keeps more than 17,000 spare parts in stock, to be able to provide spare parts up to ten years after the discontinuation of a product line.

**Committed to our tradition**



ORANIER spare parts warehouse





## What we stand for

Humans have always been attracted by warmth and fire-light, making them feel cozy and protected; it's a source of relaxation and inspiration. At the same time heating with wood is also a modern solution: it is efficient and environmentally friendly, sustainable and climate-neutral, economically viable and ecologically responsible – a good feeling overall.

ORANIER has set itself the task of producing consistently high-quality technological products and of developing innovative solutions to meet the challenges of today and

tomorrow. All our appliances are characterized by an optimized combustion technology which fully complies with the latest requirements of pollution control and legal regulations. Furthermore, we combine efficiency and usability with modern, functional design.

ORANIER offers a wide range of colors and materials for each wood stove model. Whether in classic steel, in a range of natural stones, a sleek concrete look or in elegant ceramics - our stoves meet every taste.

## Guaranteed clean!

Even though heating with wood is very traditional, it became much more popular in the last years. To drive forward an environmental friendly wood stove development the German government introduced the so called „Bundesimmissionsschutzverordnung (BImSchV)“ which defines the emission limits. In 2015, the 2nd stage of the BImSchV has become valid requiring even stricter emission limits (depending on the type of stove: 0,02 - 0,04 mg/m<sup>3</sup> for dust; 0,25 - 1,50 g/m<sup>3</sup> CO). Wood stoves that operate within these ranges can be used in Germany, Austria and Switzerland, also in urban areas.

These modern wood stoves are made to use the right air-flow and materials to create a high performance combustion. Compared to an old traditional fireplace a modern wood stove can reduce the emissions up to 85%.

All our products fulfill the requirements of the latest BImSchV which means they are guaranteed clean.





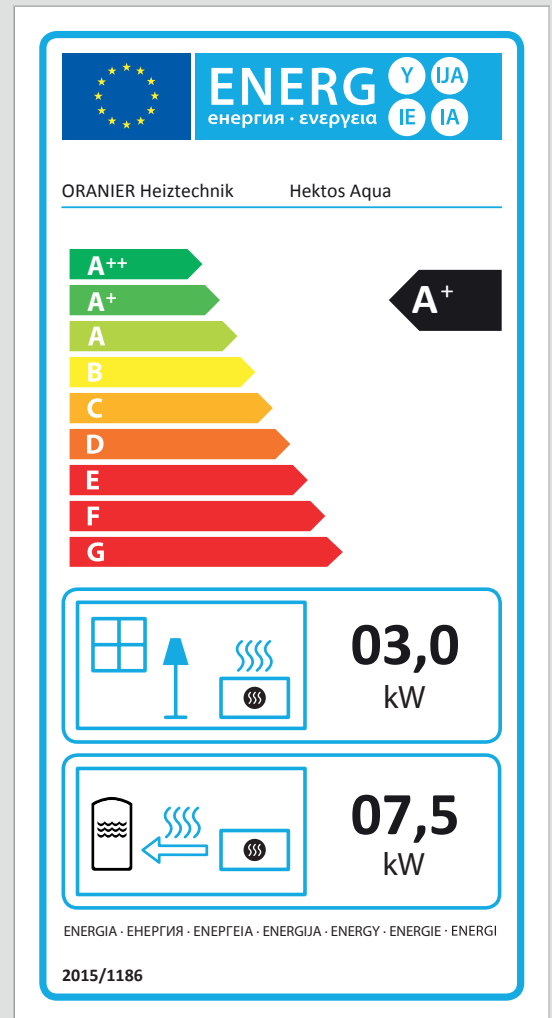
## NEW: Energy efficiency label for heating products

As already known from electronic devices now the energy efficiency class label is introduced to heating products.

As of 01.01.2018, the government requires an energy efficiency class label for all single room heating devices (liquid and solid fuels) with a nominal heat output below 50kW.

The following information is shown on the label: The energy efficiency classes range from A++ to G, which are also equivalent to the color gradient from green to red. The black arrow on the right defines the class of the product. The two boxes underneath show the heat performance. The top one refers to the installation room, the bottom one to the transfer into a heating system, both in kW.

For the consumer the energy efficiency label is a very useful tool to compare different products, using different fuels for example, with each other.



## Wood & briquettes for optimum use

To use his modern stove optimally, combined wood and brown coal briquettes should be used.

Oven-ready wood burns and heats the stove quickly. Briquettes of brown charcoal provide a long combustion periods and steady heat emission due to their high stored-energy.

The efficient use of the stove while saving money follows the maxim: First wood, then briquettes guarantees comfortable warmth. We recommend high quality fuels and briquettes by "Heizprofi".

Made in Germany – for more than 100 years.

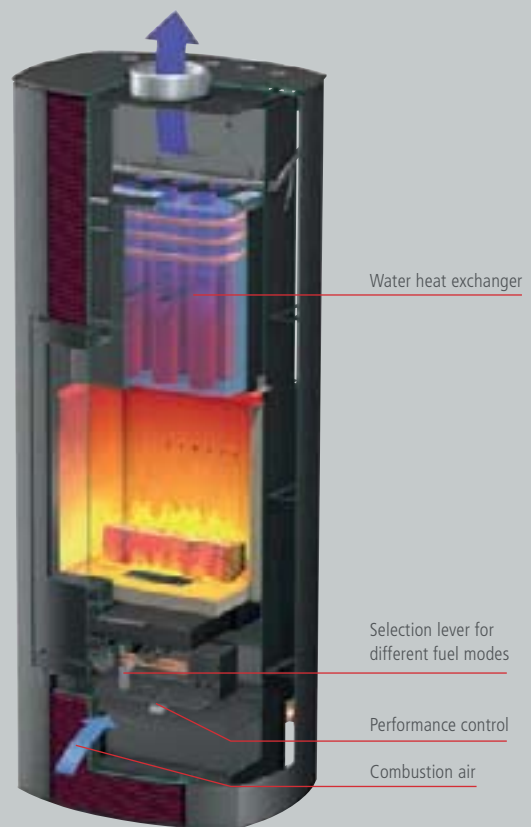


## The wood stove with boiler function

The technology of wood stoves with boiler function allows to spread the heat, produced by the wood stove, around the house.

It is based on an easy concept:

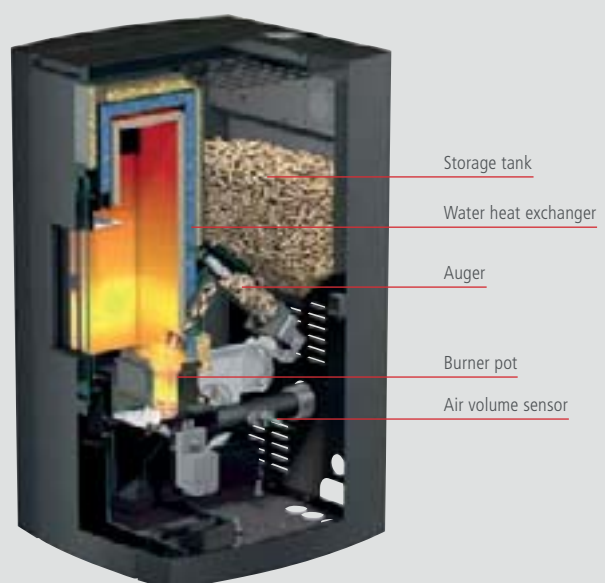
A part of the heat produced by combustion is branched off by the heat exchanger. The heated water is led to radiators around the house. Cooled down, the water returns back to the oven and starts over the cycle.



## The pellet stove with boiler function

The pellet stove with a boiler function has become well-established since entering the market.

Pellet stoves are individual stoves for the living area, operate almost completely automatically, are low in operation costs and allow a view of the combustion process. Especially if combined with a solar system.





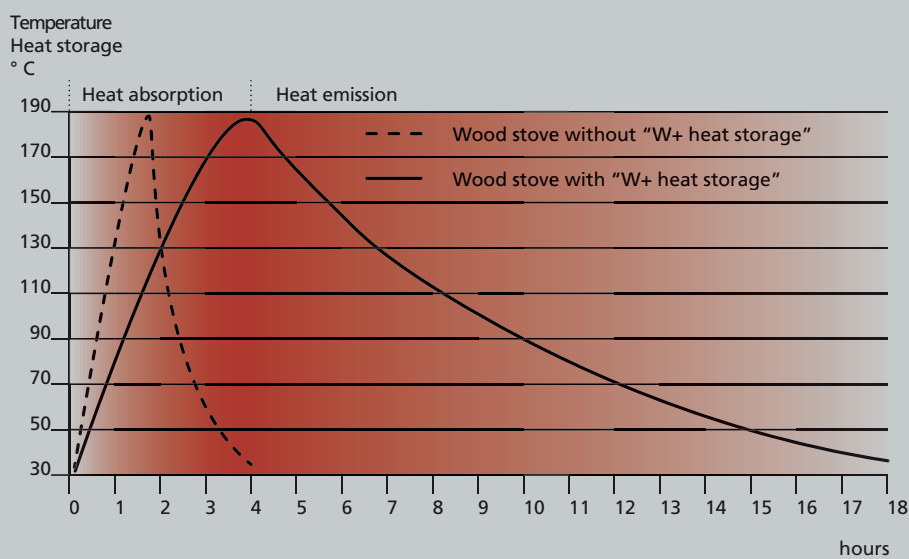


## Wood stoves with heat storage stones

A wood stove with heat storage stone is even more capable. After saving the heat of the combustion the stones emit it slowly into the living room. After the fire burned down, the heat storage stone provides continuous heat for several hours.

### W+ : the power package for longer heat

- The thermal storage stone is made of high-quality HST-fireclay
- Extremely high density of 2,9 kg / dm<sup>3</sup>
- Almost constant thermal conductivity of 1.2 W / mK
- Application temperature up to 1200°C
- Provides uniform temperature distribution in the room without high temperature peaks
- When fully charged, the thermal storage mass can provide heat up to 13 hours.



Heat storage stone W+





# Wood stoves

Coziness. Relaxation. Inspiration.

ORANIER wood stoves combine contemporary design with innovative technical solutions.

Discover our high quality wood stoves in the spirit of relaxation and coziness which at the same time meet the current technical and environmental requirements. A good feeling overall.

Discover the huge variety of colors and materials in the ORANIER range!

For more inspiration and a full overview of our material options please see page 88.



Polar 6 tile Grappa,  
corpus steel grey



Arena W+ steel black

# A Polar Neo 4





- ✓ Automatic control
- ✓ Safe-locking-system
- ✓ Height-adjustable feet
- ✓ Standard external combustion air connection (The connecting piece for external combustion air supply is included in the scope of delivery)
- ✓ Solid cast iron door / cast iron base
- ✓ Extra large ash tray
- ✓ Stone/tile cover plate combination with warming compartment

**The wood stove Polar Neo 4 with safe-locking-system is approved for independent of ambient air operation.**

**Standard scope of delivery**

Corpus in steel:



Grey / Black



Soapstone



Sandstone



Tile Namib



Tile Silk white



Tile Pepper red



Tile Grappa

For more color variants please see page 88.

**Variants**



Height-adjustable feet



Cast iron door for wood storage is available optional

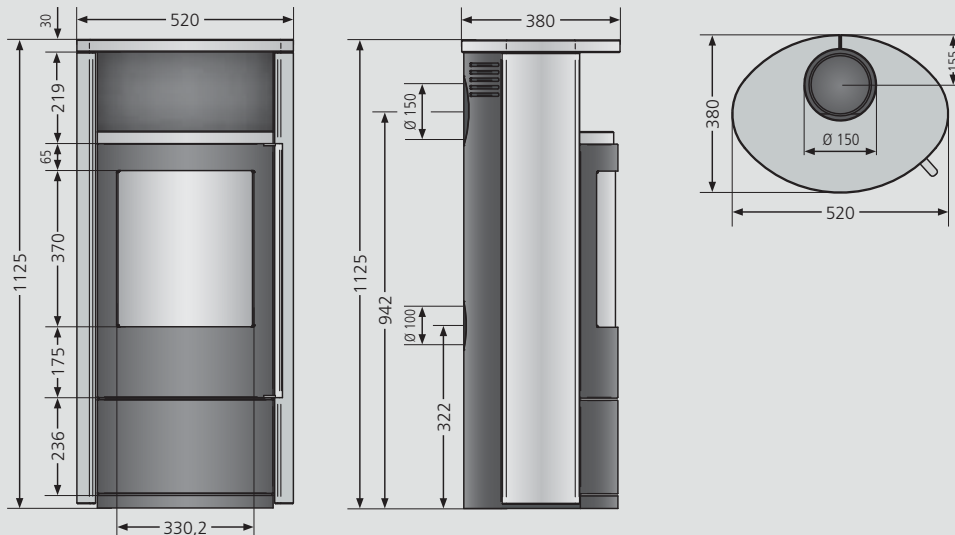
**Details**

Available designs	Order number	EAN-Code	
<b>Corpus steel grey</b>	Polar Neo 4 steel grey	5454 29	4029808522800
	Polar Neo 4 Soapstone, corpus steel grey	5454 22	4029808522824
	Polar Neo 4 Sandstone, corpus steel grey	5454 32	4029808522848
	Polar Neo 4 tile Namib, corpus steel grey	5454 80	4029808523074
	Polar Neo 4 tile Silk white, corpus steel grey	5454 81	4029808523098
	Polar Neo 4 tile Pepper red, corpus steel grey	5454 82	4029808523111
	Polar Neo 4 tile Grappa, corpus steel grey	5454 83	4029808523135
<b>Corpus steel black</b>	Polar Neo 4 steel black	5454 11	4029808522817
	Polar Neo 4 Soapstone, corpus steel black	5454 52	4029808522831
	Polar Neo 4 Sandstone, corpus steel black	5454 42	4029808522855
	Polar Neo 4 tile Namib, corpus steel black	5454 84	4029808523081
	Polar Neo 4 tile Silk white, corpus steel black	5454 85	4029808523104
	Polar Neo 4 tile Pepper red, corpus steel black	5454 86	4029808523128
	Polar Neo 4 tile Grappa, corpus steel black	5454 87	4029808523142
<b>Optional accessories</b>			
Cast iron door for wood storage steel gray Polar Neo 4	9214 83	4029808542655	
Cast iron door for wood storage black Polar Neo 4	9214 86	4029808542686	
OrKa CONTROL (for description please see page 82)	9214 74	4029808540064	

Energy efficiency class		A
Connection possibility		top / rear
Independent of ambient air operation		rear / bottom
Nominal heat output	kW	5,0
Weight (incl. packaging) steel / stone, tile	kg	110 / 171
Room heating capability	m <sup>3</sup>	88
Length of logs	cm	30
Exhaust gas mass flow	g / s	4,3
Exhaust gas temperature	° C	270
Required discharge pressure	mbar	0,12

For all technical data please see page 90.

**Technical Data**



**Technical drawing**

# A Polar Neo 6

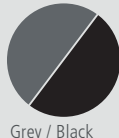


- ✓ Automatic control
- ✓ Safe-locking-system
- ✓ Height-adjustable feet
- ✓ Standard external combustion air connection (The connecting piece for external combustion air supply is included in the scope of delivery)
- ✓ Cast iron door / cast iron base
- ✓ Extra large ash tray
- ✓ Stone/tile cover plate combination with warming compartment

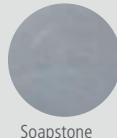
**The wood stove Polar Neo 6 with safe-locking-system is approved for independent of ambient air operation.**

**Standard scope of delivery**

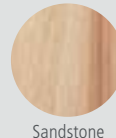
Corpus in steel:



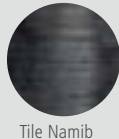
Grey / Black



Soapstone



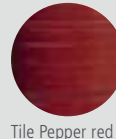
Sandstone



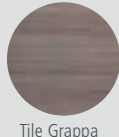
Tile Namib



Tile Silk white



Tile Pepper red



Tile Grappa

For more color variants please see page 88.

**Variants**



Cast iron door, black



Rear air control

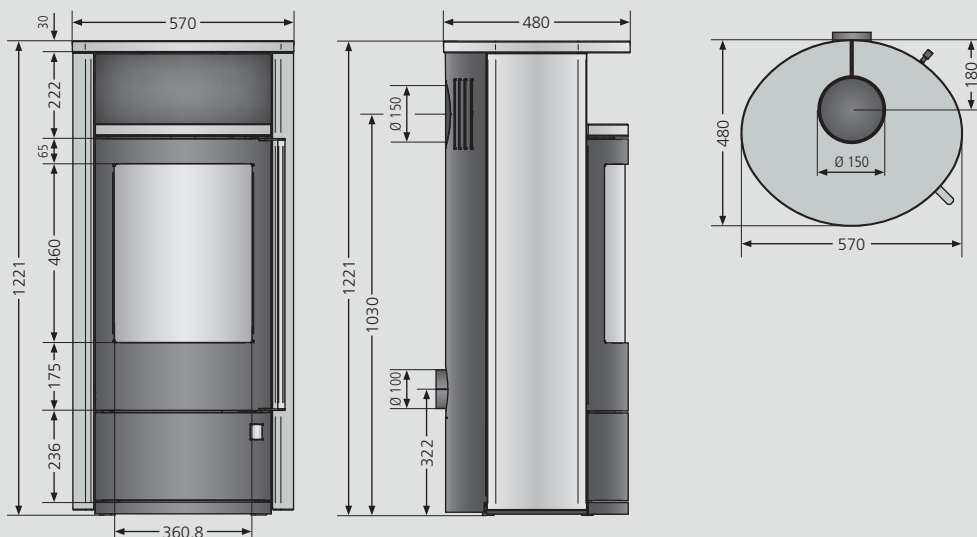
**Details**

	Available designs	Order number	EAN-Code
Corpus steel grey	Polar Neo 6 steel grey	5556 29	4029808556904
	Polar Neo 6 Soapstone, corpus steel grey	5556 22	4029808561144
	Polar Neo 6 Sandstone, corpus steel grey	5556 32	4029808561151
	Polar Neo 6 tile Namib, corpus steel grey	5556 80	4029808561182
	Polar Neo 6 tile Silk white, corpus steel grey	5556 81	4029808561199
	Polar Neo 6 tile Pepper red, corpus steel grey	5556 82	4029808561205
	Polar Neo 6 tile Grappa, corpus steel grey	5556 83	4029808561212
Corpus steel black	Polar Neo 6 steel black	5556 11	4029808556898
	Polar Neo 6 Soapstone, corpus steel black	5556 52	4029808561175
	Polar Neo 6 Sandstone, corpus steel black	5556 42	4029808561168
	Polar Neo 6 tile Namib, corpus steel black	5556 84	4029808561229
	Polar Neo 6 tile Silk white, corpus steel black	5556 85	4029808561236
	Polar Neo 6 tile Pepper red, corpus steel black	5556 86	4029808561243
	Polar Neo 6 tile Grappa, corpus steel black	5556 87	4029808561250
	Optional accessories		
	Cast iron door for wood storage steel gray Polar Neo 6	9214 84	4029808542662
	Cast iron door for wood storage black Polar Neo 6	9214 87	4029808542693
	OrKa CONTROL (for description please see page 82)	9214 74	4029808540064

Energy efficiency class		A
Connection possibility		top / rear
Independent of ambient air operation		rear / bottom
Nominal heat output	kW	6,5
Weight (incl. packaging) steel / stone, tile	kg	141 / 196
Room heating capability	m <sup>3</sup>	131
Length of logs	cm	33
Exhaust gas mass flow	g / s	5,5
Exhaust gas temperature	° C	270
Required discharge pressure	mbar	0,12

For all technical data please see page 90.

**Technical Data**



**Technical drawing**



# A+ Polar Neo 8



- ✓ Automatic control
- ✓ Safe-locking-system
- ✓ Height-adjustable feet
- ✓ Standard external combustion air connection (The connecting piece for external combustion air supply is included in the scope of delivery)
- ✓ Solid cast iron door / cast iron base
- ✓ Extra large ash tray
- ✓ Stone/tile cover plate combination with warming compartment

**The wood stove Polar Neo 8 with safe-locking-system is approved for independent of ambient air operation.**

**Standard scope of delivery**

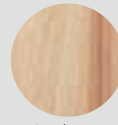
Corpus in steel:



Grey / Black



Soapstone



Sandstone



Tile Namib



Tile Silk white



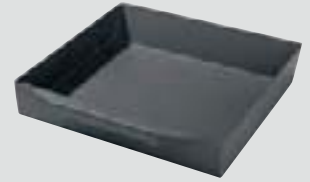
Tile Pepper red



Tile Grappa

For more color variants please see page 88.

**Variants**



Extra large ash tray



Safe-locking-system

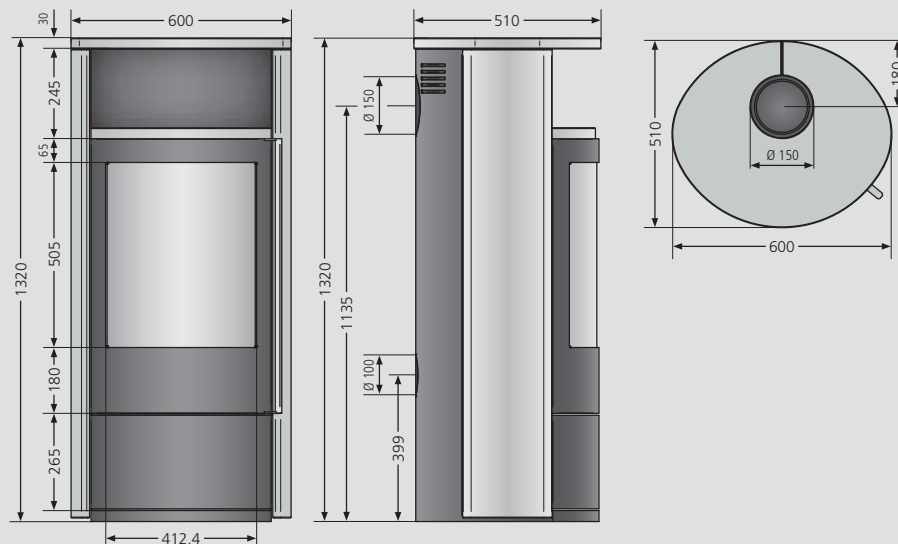
**Details**

Available designs	Order number	EAN-Code	
<b>Corpus steel grey</b>	Polar Neo 8 steel grey	5558 29	4029808556942
	Polar Neo 8 Soapstone, corpus steel grey	5558 22	4029808561274
	Polar Neo 8 Sandstone, corpus steel grey	5558 32	4029808561281
	Polar Neo 8 tile Namib, corpus steel grey	5558 80	4029808561311
	Polar Neo 8 tile Silk white, corpus steel grey	5558 81	4029808561328
	Polar Neo 8 tile Pepper red, corpus steel grey	5558 82	4029808561335
	Polar Neo 8 tile Grappa, corpus steel grey	5558 83	4029808561342
<b>Corpus steel black</b>	Polar Neo 8 steel black	5558 11	4029808556935
	Polar Neo 8 Soapstone, corpus steel black	5558 52	4029808561298
	Polar Neo 8 Sandstone, corpus steel black	5558 42	4029808561304
	Polar Neo 8 tile Namib, corpus steel black	5558 84	4029808561359
	Polar Neo 8 tile Silk white, corpus steel black	5558 85	4029808561366
	Polar Neo 8 tile Pepper red, corpus steel black	5558 86	4029808561373
	Polar Neo 8 tile Grappa, corpus steel black	5558 87	4029808561380
<b>Optional accessories</b>			
Cast iron door for wood storage steel gray Polar Neo 8	9214 85	4029808542679	
Cast iron door for wood storage black Polar Neo 8	9214 88	4029808542709	
OrKa CONTROL (for description please see page 82)	9214 74	4029808540064	

**Technical Data**

Energy efficiency class		A+
Connection possibility		top / rear
Independent of ambient air operation		rear / bottom
Nominal heat output	kW	8,0
Weight (incl. packaging) steel / stone, tile	kg	144 / 203
Room heating capability	m <sup>3</sup>	186
Length of logs	cm	35
Exhaust gas mass flow	g / s	6,9
Exhaust gas temperature	° C	269
Required discharge pressure	mbar	0,12

For all technical data please see page 90.



**Technical drawing**



# A Polar Neo W+







- ✓ Automatic control
- ✓ Heat storage stone W+, ca. 56 kg
- ✓ Safe-locking-system
- ✓ Height-adjustable feet
- ✓ Standard external combustion air connection (The connecting piece for external combustion air supply is not included in the scope of delivery)
- ✓ Solid cast iron door / cast iron base
- ✓ Extra large ash tray
- ✓ Stone/tile cover plate combination with heat storage stone compartment

**Standard scope of delivery**

The connecting piece for external combustion air supply is not included in the scope of delivery.

Corpus in steel:



Grey / Black



Soapstone



Sandstone



Tile Namib



Tile Silk white



Tile Pepper red



Tile Grappa

For more color variants please see page 88.

**Variants**



Heat storage stone W+



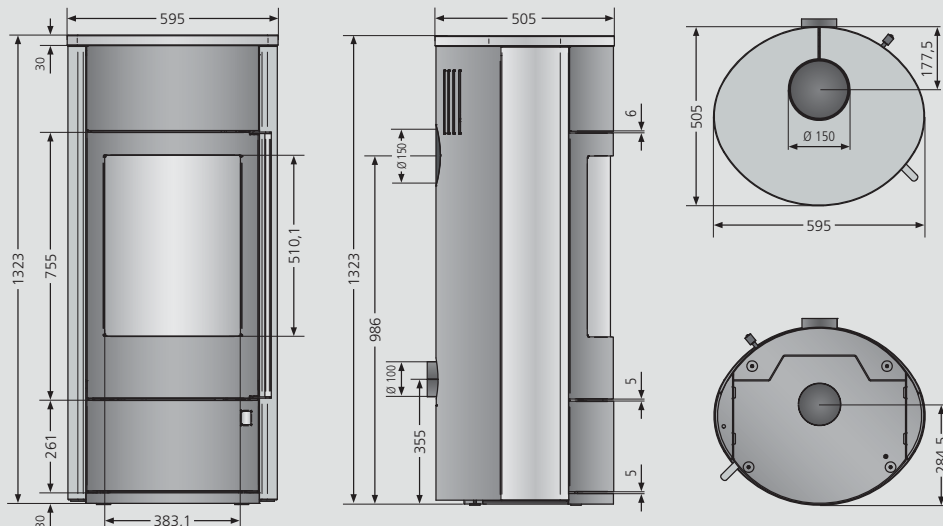
Cast iron door for wood storage is available optional

**Details**

	Available designs	Order number	EAN-Code
Corpus steel grey	Polar Neo W+ steel grey	5459 29	4029808539648
	Polar Neo W+ Soapstone, corpus steel grey	5459 22	4029808539655
	Polar Neo W+ Sandstone, corpus steel grey	5459 32	4029808539679
	Polar Neo W+ tile Namib, corpus steel grey	5459 80	4029808539693
	Polar Neo W+ tile Silk white, corpus steel grey	5459 81	4029808539716
	Polar Neo W+ tile Pepper red, corpus steel grey	5459 82	4029808539730
	Polar Neo W+ tile Grappa, corpus steel grey	5459 83	4029808539754
Corpus steel black	Polar Neo W+ steel black	5459 11	4029808539631
	Polar Neo W+ Soapstone, corpus steel black	5459 52	4029808539662
	Polar Neo W+ Sandstone, corpus steel black	5459 42	4029808539686
	Polar Neo W+ tile Namib, corpus steel black	5459 84	4029808539709
	Polar Neo W+ tile Silk white, corpus steel black	5459 85	4029808539723
	Polar Neo W+ tile Pepper red, corpus steel black	5459 86	4029808539747
	Polar Neo W+ tile Grappa, corpus steel black	5459 87	4029808539761
Optional accessories			
	Connecting piece for combustion air supply	9200 69	4029807779991
	Cast iron door for wood storage steel gray Polar Neo W+	9214 85	4029808542679
	Cast iron door for wood storage black Polar Neo W+	9214 88	4029808542709
	OrKa CONTROL (for description please see page 82)	9214 74	4029808540064

Energy efficiency class		A
Connection possibility		top / rear
Operation with external air		rear / bottom
Nominal heat output	KW	8,0
Weight (incl. packaging) steel / stone, tile	kg	210 / 254
Weight heat storage stone	ca. kg	56
Room heating capability	m <sup>3</sup>	186
Length of logs	cm	35
Exhaust gas mass flow	g / s	7,4
Exhaust gas temperature	° C	257
Required discharge pressure	mbar	0,12

For all technical data please see page 90.



**Technical drawing**

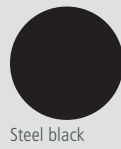
# A+ Polar Neo Bakery



- ✓ Automatic control
- ✓ Safe-locking-system
- ✓ Height-adjustable feet
- ✓ Standard external combustion air connection (The connecting piece for external combustion air supply is included in the scope of delivery)
- ✓ Solid cast iron door / cast iron base
- ✓ Extra large ash tray
- ✓ Bimetal-thermometer for temperature measurement in baking compartment
- ✓ Baking compartment with fireclay base. It saves the heat and emits it slowly for baking of pizza, bread or biscuits
- ✓ Standard external combustion air connection

The connecting piece for external combustion air supply is not included in the scope of delivery.

**Standard scope of delivery**



Steel black



Polar Neo Bakery steel black

For more color variants please see page 88.

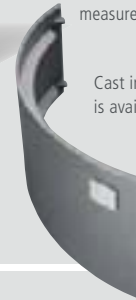
**Variants**



Baking compartment with with fireclay lining



Bimetal-thermometer for temperature measurement in baking compartment



Cast iron door for wood storage is available optional

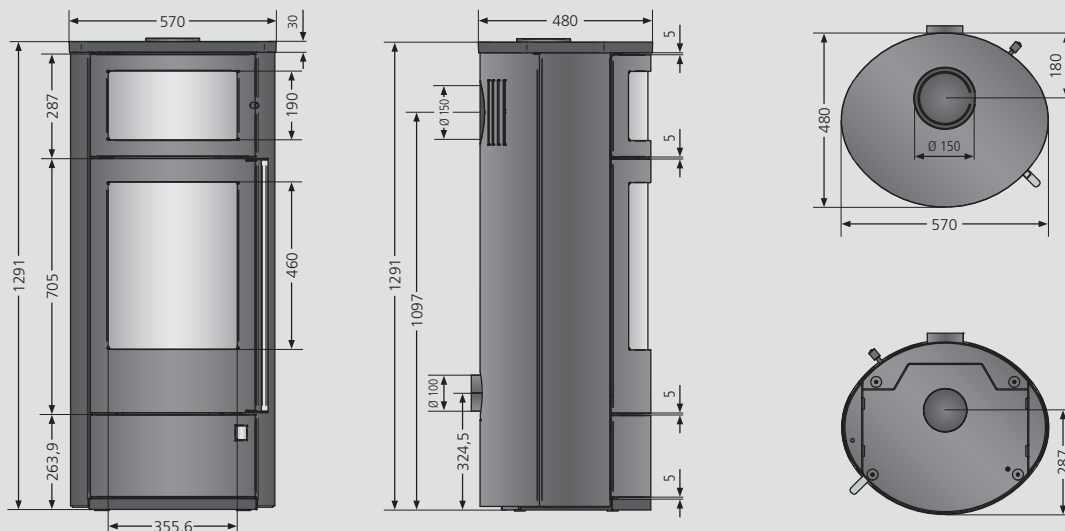
**Details**

Available designs	Order number	EAN-Code
Polar Neo Bakery steel black	5457 11	4029808540132
Optional accessories		
Connecting piece for combustion air supply	9200 69	4029807779991
Cast iron door for wood storage black Polar Neo Bakery	9214 87	4029808542693
OrKa CONTROL (for description please see page 82)	9214 74	4029808540064

**Technical Data**

Energy efficiency class		A+
Connection possibility		top / rear
Operation with external air		rear / bottom
Nominal heat output	kW	6,0
Weight (incl. packaging)	kg	156
Room heating capability	m <sup>3</sup>	131
Length of logs	cm	33
Exhaust gas mass flow	g / s	5,7
Exhaust gas temperature	° C	244
Required discharge pressure	mbar	0,12

For all technical data please see page 90.



**Technical drawing**



# A Polar Neo Eck



- ✓ Automatic control
- ✓ Safe-locking-system
- ✓ Height-adjustable feet
- ✓ Standard external combustion air connection. (The connecting piece for external combustion air supply is included in the scope of delivery)
- ✓ Solid cast iron door / cast iron base
- ✓ Extra large ash tray
- ✓ Variants stone/ceramic with cover-plate combination and warming compartment

The connecting piece for external combustion air supply is not included in the scope of delivery.

**Please notice:**

The minimum distance from the wall must be 2 cm. In case of flammable wall structure double-wall pipes must be used.

**Available from November 2017.**

**Standard scope of delivery**

Corpus in steel:



Steel black



Soapstone



Sandstone



Tile Namib



Tile Silk white



Tile Pepper red



Tile Grappa

For more color variants please see page 88.

**Variants**



Stone paneling



Automatic control (functional model)



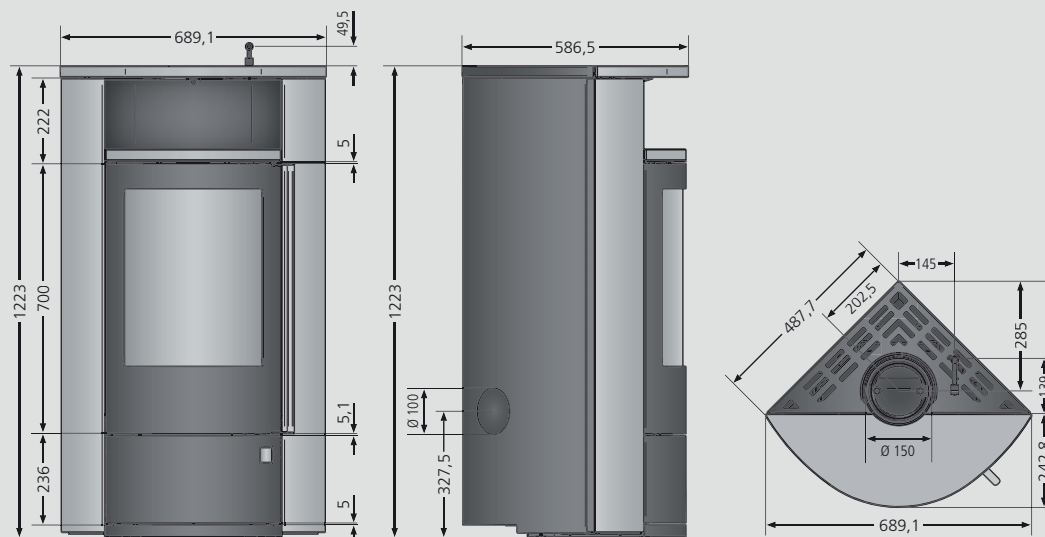
Height-adjustable feet

**Details**

Available designs	Order number	EAN-Code
Polar Neo Eck steel black	5486 11	4029808556751
Polar Neo Eck Soapstone, corpus steel black	5486 23	4029808559974
Polar Neo Eck Sandstone, corpus steel black	5486 42	4029808559981
Polar Neo Eck tile Namib, corpus steel black	5486 84	4029808559998
Polar Neo Eck tile Silk white, corpus steel black	5486 85	4029808560000
Polar Neo Eck tile Pepper red, corpus steel black	5486 86	4029808560017
Polar Neo Eck tile Grappa, corpus steel black	5486 87	4029808560024
Optional accessories		
Connecting piece for combustion air supply	9200 69	4029807779991
Cast iron door for wood storage black Polar Neo Eck	9214 87	4029808542693
OrKa CONTROL (for description please see page 82)	9214 74	4029808540064
Double wall pipes black	9215 19	4029808561717
Energy efficiency class		A
Connection possibility		top
Operation with external air		rear left + right / bottom
Nominal heat output	kW	6,5
Weight (incl. packaging) steel / stone, tile	kg	218 / 263
Room heating capability	m <sup>3</sup>	131
Length of logs	cm	30
Exhaust gas mass flow	g / s	5,5
Exhaust gas temperature	°C	270
Required discharge pressure	mbar	0,12

For all technical data please see page 90.

**Technical Data**



**Technical drawing**

# A Arena





- ✓ ORANIER safe-locking-system
- ✓ Solid cast iron base with rotating grid
- ✓ Air-flow handle
- ✓ Standard external combustion air connection

Connecting pieces are preassembled and inclusive.



The wood stove Arena is approved for independent of ambient air operation.

DIBt: Z-43.12.-400

Standard scope of delivery



Steel black, cover plate steel black



Steel black, cover plate glass



Steel black, cover plate Soapstone



Steel black, cover plate Sandstone



Steel black, cover plate Limestone cream

For more color variants please see page 88.

Variants



Safe-locking-system



Full glass panel



Solid cast iron base with rotating grid

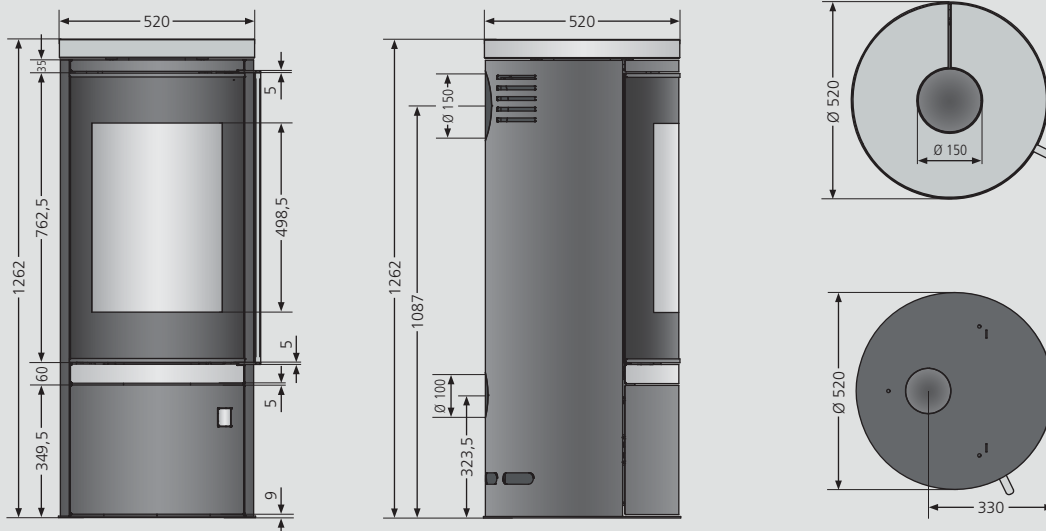
Details

Available designs	Order number	EAN-Code
Arena cover plate steel black, corpus steel black	4899 11	4029808525184
Arena cover plate glass, corpus steel black	4899 30	4029808525191
Arena cover plate Soapstone, corpus steel black	4899 22	4029808525207
Arena cover plate Sandstone, corpus steel black	4899 42	4029808525214
Arena cover plate Limestone cream, corpus steel black	4899 87	4029808525221
Optional accessories		
Rotating tray black, Ø 510 mm (connection rear)	9214 73	4029808539433

Energy efficiency class		A
Connection possibility		top / rear
Independent of ambient air operation		rear / bottom
Nominal heat output	kW	6,0
Weight (incl. packaging) steel / stone, ceramic	kg	150 / 167
Room heating capability	m <sup>3</sup>	124
Length of logs	cm	33
Exhaust gas mass flow	g / s	7,9
Exhaust gas temperature	° C	327
Required discharge pressure	mbar	0,12

For all technical data please see page 90.

Technical Data



Technical drawing

A

# Arena W+



DESIGN  
AWARD  
2015





- ✓ Heat storage stone W+, 90 kg
- ✓ ORANIER safe-locking-system
- ✓ Solid cast iron base with rotating grid
- ✓ Air-flow handle
- ✓ Standard external combustion air connection

Connecting pieces are preassembled and inclusive.



The wood stove Arena W+ is approved for independent of ambient air operation  
**DIBt: Z-43.12-400**

**Standard scope of delivery**



Steel black, cover plate steel black



Steel black, cover plate glass



Steel black, cover plate Soapstone



Steel black, cover plate Sandstone



Steel black, cover ceramic plate Limestone cream

For more color variants please see page 88.

**Variants**



Heat storage stone W+



Safe-locking-system



Solid cast iron base with rotating grid

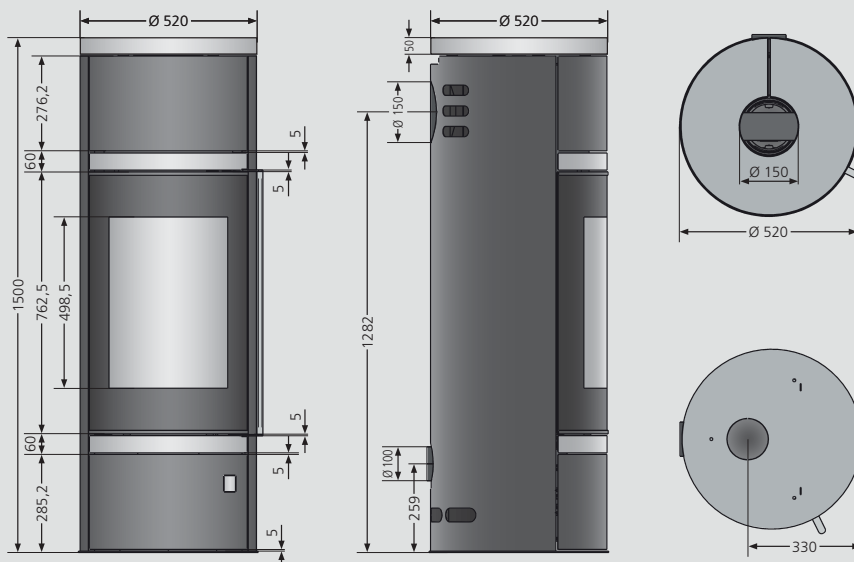
**Details**

Available designs	Order number	EAN-Code
Arena W+ cover plate steel black, corpus steel black	4895 11	4029808523913
Arena W+ cover plate glass, corpus steel black	4895 30	4029808523845
Arena W+ cover plate Soapstone, corpus steel black	4895 22	4029808523838
Arena W+ cover plate Sandstone, corpus steel black	4895 42	4029808523852
Arena W+ cover plate Limestone cream, corpus steel black	4895 87	4029808523869
Optional accessories		
Rear flue pipe connection	9212 37	4029808450608
Rotating tray black, Ø 510 mm (connection rear)	9214 73	4029808539433

Energy efficiency class		A
Connection possibility		top / rear
Independent of ambient air operation		rear / bottom
Nominal heat output	kW	7,0
Weight (incl. packaging) steel / stone, ceramic	kg	230 / 256
Heat storage stone W+	kg	90
Room heating capability	m <sup>3</sup>	144
Length of logs	cm	33
Exhaust gas mass flow	g / s	7,9
Exhaust gas temperature	°C	327
Required discharge pressure	mbar	0,12

For all technical data please see page 90.

**Technical Data**



**Technical drawing**



# A Dio 150 | Dio 150 W+



German  
Design Award

SPECIAL  
MENTION 2015

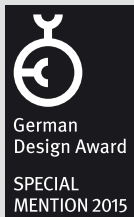




- ✓ Heat storage stone W+, ca. 50 kg
- ✓ ORANIER safe-locking-system
- ✓ Solid cast iron base
- ✓ Air-flow handle
- ✓ Lockable convection vents in the cover plate
- ✓ Standard external combustion air connection

The connecting piece for external combustion air supply is not included in the scope of delivery.

**Standard scope of delivery**



Steel black



For more color variants please see page 88.

**Variants**



Solid cast iron base



Lockable convection vents in the cover plate



Safe-locking-system (Hydraulik)

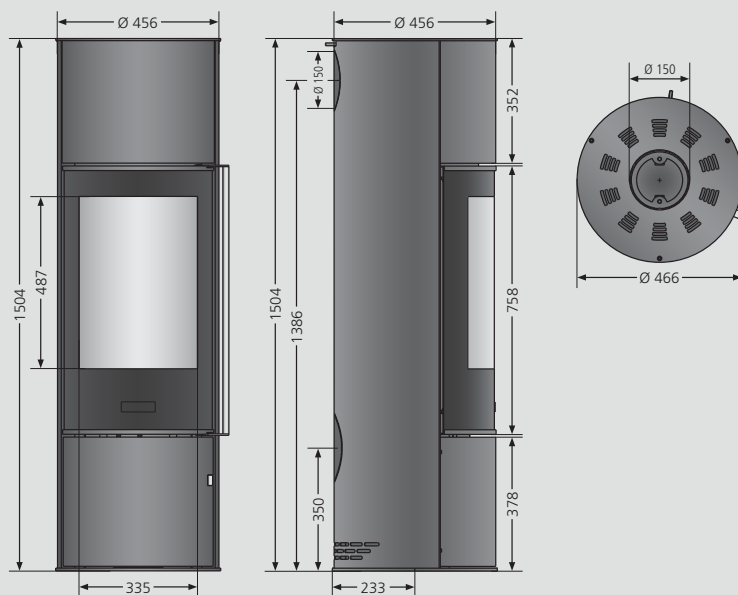
**Details**

Available designs	Order number	EAN-Code
Dio 150 steel black	8174 11	4029808540101
Dio 150 W+ steel black	8174 41	4029808540118
Optional accessories		
Connecting piece for combustion air supply	9200 69	4029807779991
90° pipe bend for rear connection for Dio 150	9215 02	4029808544710
Rotating tray black, Ø 460 mm (for top connection) (For description please see p. 82)	9214 72	4029808539426

**Technical Data**

		Dio 150 / Dio 150 W+
Energy efficiency class		A
Connection possibility		top / rear
Operation with external air		rear / bottom
Nominal heat output	kW	6,0
Weight (incl. packaging)	kg	183 / 233 (incl. W+)
Weight heat storage stone W+	ca. kg	50
Room heating capability	m <sup>2</sup>	124
Length of logs	cm	25
Exhaust gas mass flow	g / s	6,7
Exhaust gas temperature	°C	237
Required discharge pressure	mbar	0,12

For all technical data please see page 90.



**Technical drawing**

# A Corso



reddot award 2014  
winner





- ✓ Automatic control
- ✓ Stone cover plate combination with side panelling inlay
- ✓ ORANIER safe-locking-system
- ✓ Solid cast iron base with rotating grid
- ✓ Air-flow handle
- ✓ Standard external combustion air connection

The connecting piece for external combustion air supply is not included in the scope of delivery.

**Slow combustion stove with automatic control. 12 hour lasting embers (using briquettes). The wood stove can be operated overnight.**



**reddot award 2014 winner**

**Standard scope of delivery**



Limestone cream, corpus steel black



Soapstone, corpus steel grey



Steel black



Corso Soapstone, corpus steel grey

For more color variants please see page 88.

**Variants**



Solid cast iron base with rotating grid



Safe-locking-system



Automatic control (example of function)

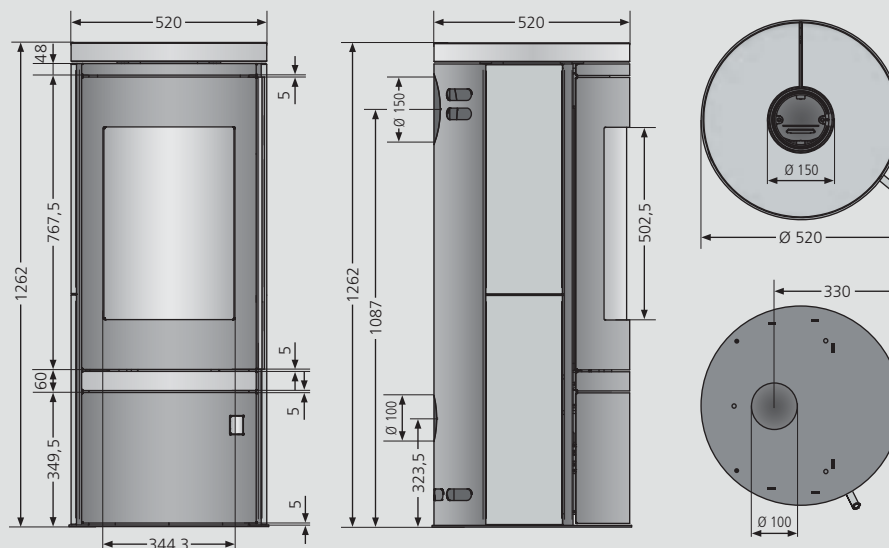
**Details**

Available designs	Order number	EAN-Code
Corso steel black	4692 11	4029808491847
Corso Soapstone, corpus steel grey	4692 22	4029808491854
Corso Limestone cream, corpus steel black	4692 87	4029808491861
Optional accessories		
Connecting piece for combustion air supply	9200 69	4029807779991
Rotating tray black, Ø 510 mm (for top connection)	9214 73	4029808539433
Rotating tray steel grey Ø 510 mm (for top connection)	9215 04	4029808546004

Energy efficiency class		A
Connection possibility		top / rear
Operation with external air		rear / bottom
Nominal heat output	kW	6,0
Weight (incl. packaging) steel / stone, ceramic	kg	152 / 207
Room heating capability	m <sup>2</sup>	144
Length of logs	cm	33
Exhaust gas mass flow	g / s	7,4
Exhaust gas temperature	°C	301
Required discharge pressure	mbar	0,12

For all technical data please see page 90.

**Technical Data**



**Technical drawing**

# A Arkona W+





- ✓ Heat storage stone W+, ca. 90/45 kg
- ✓ ORANIER safe-locking-system (Mineral plaster model white)
- ✓ Air-flow handle
- ✓ Lockable convection vents in the cover plate
- ✓ Standard external combustion air connection

The connecting piece for external combustion air supply is not included in the scope of delivery.

**Standard scope of delivery**



Arkona W+ mineral plaster white



For more color variants please see page 88.



Arkona W+ Soapstone

**Variants**



Extensive soapstone / ceramic paneling (soapstone / ceramic version)



Heat storage stone W+



Safe-locking-system (hydraulic system) (Version mineral plaster white)

**Details**

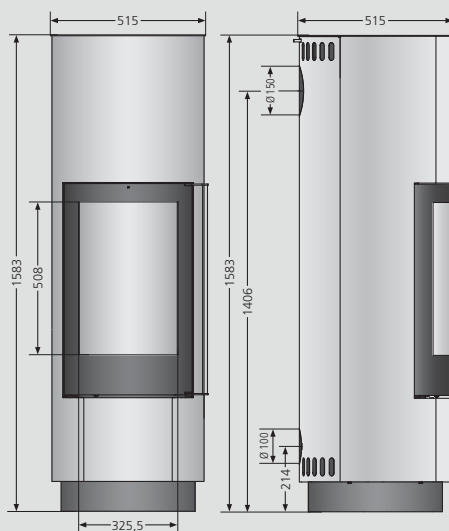
Available designs	Order number	EAN-Code
Arkona W+ mineral plaster white	8168 87	4029808508644
Arkona W+ Soapstone	8168 22	4029808540484
Arkona W+ tile Namib	8168 84	4029808560956
Arkona W+ tile Silk white	8168 85	4029808560963
Arkona W+ tile Corretto	8168 70	4029808561014
Optional accessories		
Connecting piece for combustion air supply	9200 69	4029807779991
Pipe bend for rear connection	9212 85	4029808468627
Rotating tray black, Ø 510 mm (for top connection)		
Arkona Soapstone / Ceramic tile	9214 73	4029808539433
Rotating tray black, Ø 460 mm (for top connection)		
Arkona Mineral plaster white	9214 72	4029808539426

Energy efficiency class		A
Connection possibility		top / rear
Operation with external air		rear / bottom
Nominal heat output	kW	7,0
Weight (incl. packaging), Mineral plaster white / tile / stone	kg	240 / 268 / 345
Weight heat storage stone W+, Mineral plaster white / tile / stone	ca.kg	90 / 45 / 45
Room heating capability	m <sup>3</sup>	144
Length of logs	cm	25
Exhaust gas mass flow	g / s	7,0
Exhaust gas temperature	° C	244
Required discharge pressure	mbar	0,12

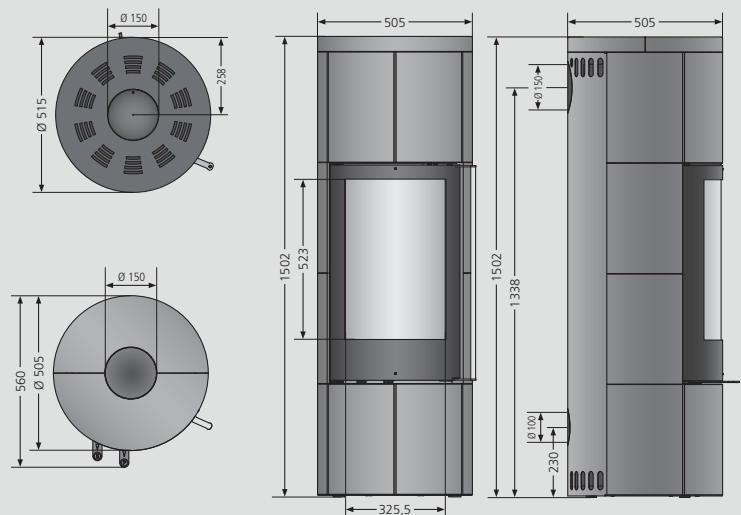
For all technical data please see page 90.

**Technical Data**

Arkona W+ mineral plaster white



Arkona W+ Soapstone / Ceramic tile



**Technical drawing**



# A Arko



124 m<sup>3</sup>

>80 %



- ✓ ORANIER safe locking system
- ✓ Air flow handle
- ✓ Extractable tray
- ✓ Heat storage soapstone
- ✓ Standard external combustion air connection

The connecting piece for external combustion air supply is not included in the scope of delivery.

Optional:

Can be extended with an additional soap stone element. Height 32 cm.

**Standard scope of delivery**



Soapstone



Arko with additional soap stone element

For more color variants please see page 88.

**Variants**



Extractable wood storage tray



Safe locking system



Solid soapstone paneling

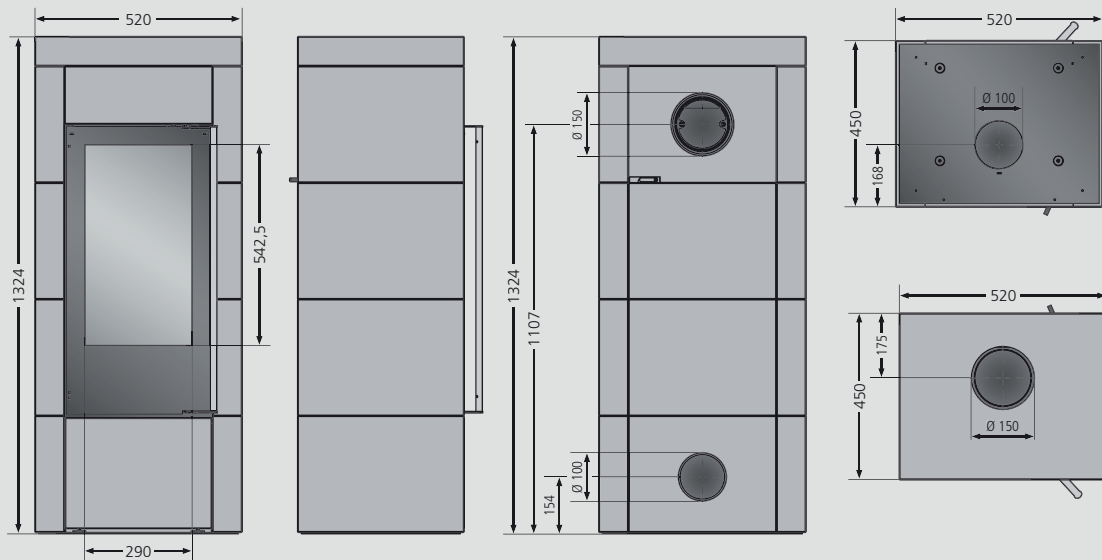
**Details**

Available designs	Order number	EAN-Code
Arko Soapstone, corpus steel black	8172 23	4029808560031
Optional accessories		
Connecting piece for combustion air supply	9200 69	4029807779991
Additional soapstone element	9215 20	4029808561892

**Technical Data**

Energy efficiency class		A
Connection possibility		top / rear
Operation with external air		rear / bottom
Nominal heat output	kW	6,0
Weight (incl. packaging)	kg	450
Room heating capability	m <sup>3</sup>	124
Length of logs	cm	30
Exhaust gas mass flow	g / s	6,6
Exhaust gas temperature	°C	272
Required discharge pressure	mbar	0,12

For all technical data please see page 90.



**Technical drawing**

# A+ Atrium 5





- ✓ Cover plate combination made of special glass
- ✓ Wood tray door
- ✓ Stone cover plate combination
- ✓ Standard external combustion air connection

The connecting piece for external combustion air supply is not included in the scope of delivery.

Standard scope of delivery



Steel black



For more color variants please see page 88.

Variants



Glass cover plate



Integrated handle bar



3-sided panoramic window

Details

Available designs  
Atrium 5 steel black  
Optional accessories  
Connecting piece for combustion air supply

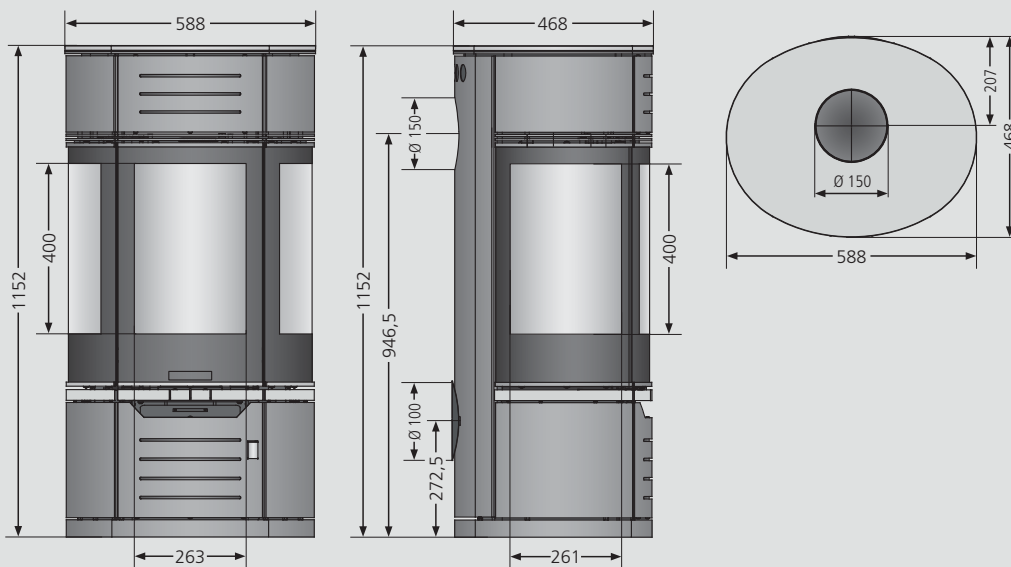
Order number  
4679 15  
9200 69

EAN-Code  
4029808453647  
4029807779991

Technical Data

Energy efficiency class		A+
Connection possibility		top / rear
Operation with external air		rear
Nominal heat output	kW	5,0
Weight (incl. packaging)	kg	141
Room heating capability	m <sup>3</sup>	88
Length of logs	cm	30
Exhaust gas mass flow	g / s	6,9
Exhaust gas temperature	°C	229
Required discharge pressure	mbar	0,12

For all technical data please see page 90.



Technical drawing

# A Arktis Neo 5



- ✓ Air-flow handle
- ✓ Standard external combustion air connection
- ✓ Height-adjustable feet
- ✓ Solid cast iron door
- ✓ Safe-locking-system

The connecting piece for external combustion air supply is not included in the scope of delivery.

Standard scope of delivery



Steel grey  
Steel black



Soapstone



Limestone cream



Arktis Neo 5 Soapstone, corpus steel black

For more color variants please see page 88.

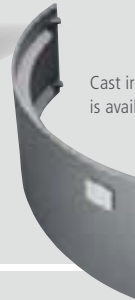
Variants



Air-flow rod handle



Profiled vermiculite firebox lining



Cast iron door for wood storage is available optional

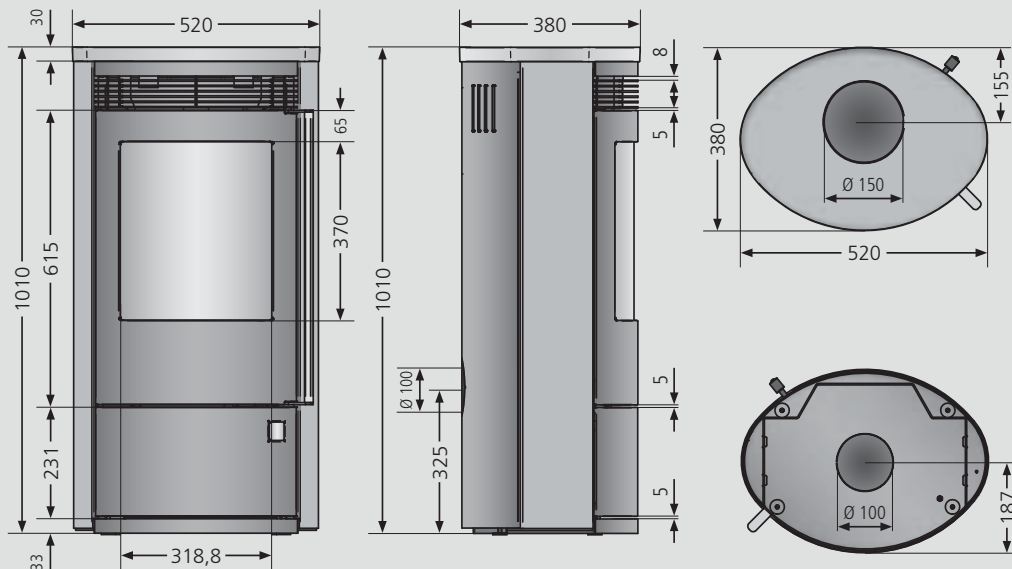
Details

Available designs	Order number	EAN-Code
Arktis Neo 5 steel grey	5845 29	4029808539969
Arktis Neo 5 steel black	5845 11	4029808539952
Arktis Neo 5 Soapstone, corpus steel black	5845 23	4029808539976
Arktis Neo 5 Limestone cream, corpus steel black	5845 87	4029808539983
Optional accessories		
Connecting piece for combustion air supply	9200 69	4029807779991
Cast iron door for wood storage steel gray Arktis Neo 5	9214 83	4029808542655
Cast iron door for wood storage black Arktis Neo 5	9214 86	4029808542686
OrKa CONTROL (for description please see page 82)	9214 74	4029808540064

Energy efficiency class		A
Connection possibility		top
Operation with external air		rear / bottom
Nominal heat output	kW	5,0
Weight (incl. packaging) steel / stone, ceramic	kg	113 / 137
Room heating capability	m <sup>3</sup>	88
Length of logs	cm	25
Exhaust gas mass flow	g / s	4,5
Exhaust gas temperature	° C	267
Required discharge pressure	mbar	0,12

For all technical data please see page 90.

Technical Data



Technical drawing



# A Arktis Neo 7



- ✓ Air-flow handle
- ✓ Standard external combustion air connection
- ✓ Height-adjustable feet
- ✓ Solid cast iron door
- ✓ Safe-locking-system

The connecting piece for external combustion air supply is not included in the scope of delivery.

Standard scope of delivery



steel grey  
steel black



Soapstone



Limestone cream



Arktis Neo 7 Limestone cream, corpus steel black  
(cast iron door for wood storage is available optional)

For more color variants please see page 88.

Variants



Rear air control



Profiled vermiculite firebox lining



Height-adjustable feet

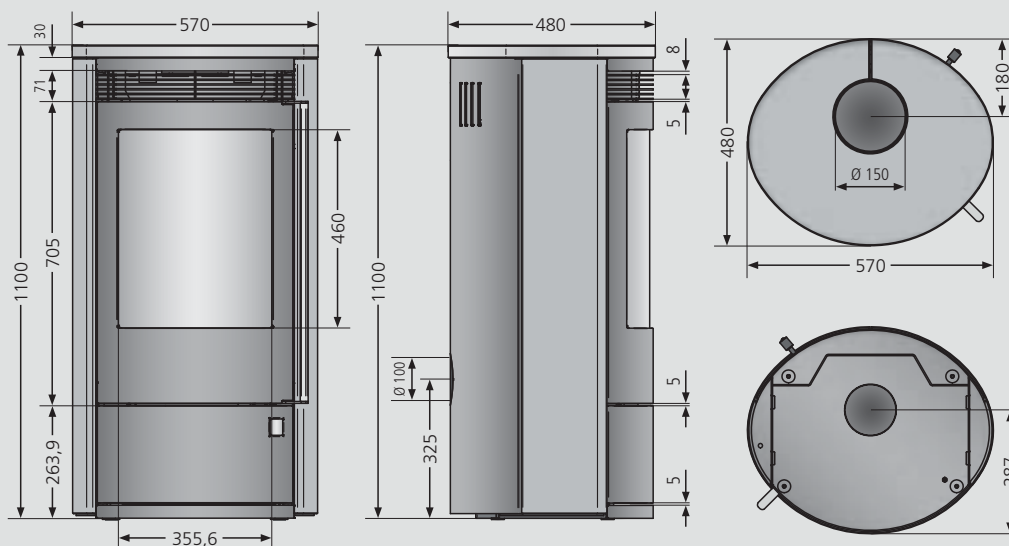
Details

Available designs	Order number	EAN-Code
Arktis Neo 7 steel grey	5847 29	4029808540002
Arktis Neo 7 steel black	5847 11	4029808539990
Arktis Neo 7 Soapstone, corpus steel black	5847 23	4029808540019
Arktis Neo 7 Limestone cream, corpus steel black	5847 87	4029808540026
Optional accessories		
Connecting piece for combustion air supply	9200 69	4029807779991
Cast iron door for wood storage steel gray Arktis Neo 7	9214 84	4029808542662
Cast iron door for wood storage black Arktis Neo 7	9214 87	4029808542693
OrKa CONTROL (for description please see page 82)	9214 74	4029808540064

Energy efficiency class		A
Connection possibility		top
Operation with external air		rear / bottom
Nominal heat output	kW	7,0
Weight (incl. packaging) steel / stone, ceramic	kg	130 / 180
Room heating capability	m <sup>3</sup>	131
Length of logs	cm	33
Exhaust gas mass flow	g / s	6,2
Exhaust gas temperature	°C	274
Required discharge pressure	mbar	0,12

For all technical data please see page 90.

Technical Data



Technical drawing

# A+ Pori 5





- ✓ Stone/tile cover plate combination with warming compartment
- ✓ Air-flow handle
- ✓ Door for wood log storage
- ✓ Standard external combustion air connection

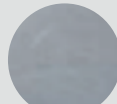
The connecting piece for external combustion air supply is not included in the scope of delivery.

**Standard scope of delivery**

Corpus in steel:



Grey / Black



Soapstone



Sandstone



Tile Corretto



Tile Grappa



Tile Freddo

**Variants**

For more color variants please see page 88.



Air-flow handle



Door for wood log storage

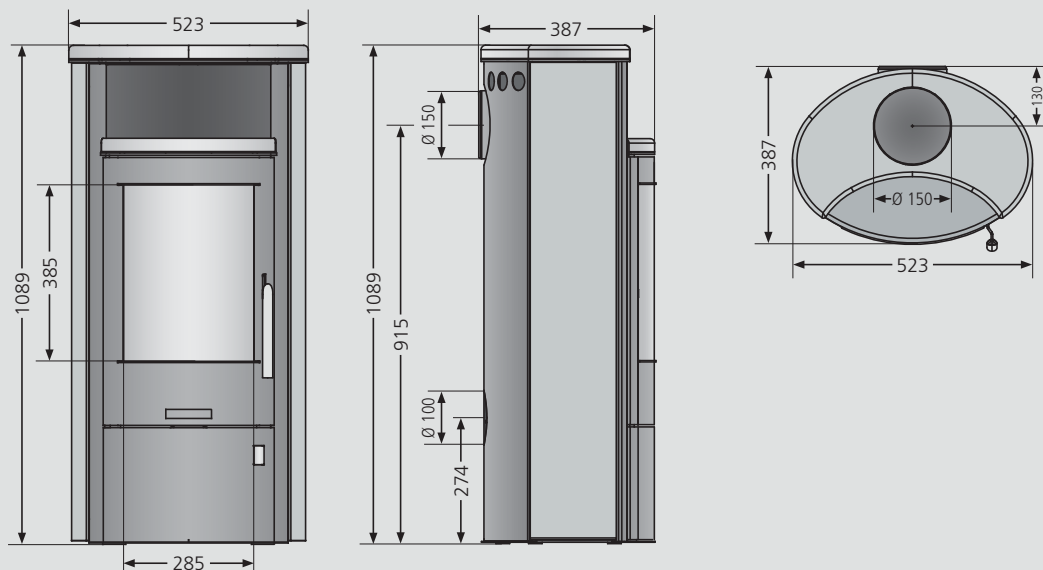
**Details**

	Available designs	Order number	EAN-Code
Steel steel grey	Pori 5 steel grey	5575 29	4029808540170
	Pori 5 Soapstone, corpus steel grey	5575 22	4029808540194
	Pori 5 tile Corretto, corpus steel grey	5575 70	4029808540224
	Pori 5 tile Grappa, corpus steel grey	5575 71	4029808540248
	Pori 5 tile Freddo, corpus steel grey	5575 72	4029808540262
Steel black	Pori 5 steel black	5575 11	4029808540187
	Pori 5 Soapstone, corpus steel black	5575 23	4029808540200
	Pori 5 Sandstone, corpus steel black	5575 42	4029808540217
	Pori 5 tile Corretto, corpus steel black	5575 73	4029808540231
	Pori 5 tile Grappa, corpus steel black	5575 74	4029808540255
	Pori 5 tile Freddo, corpus steel black	5575 75	4029808540279
	Optional accessories		
	Connecting piece for combustion air supply	9200 69	402980779991

**Technical Data**

Energy efficiency class		A+
Connection possibility		top / rear
Operation with external air		rear
Nominal heat output	kW	5,0
Weight (incl. packaging) steel / stone, tile	kg	95 / 155
Room heating capability	m <sup>3</sup>	88
Length of logs	cm	25
Exhaust gas mass flow	g / s	6,5
Exhaust gas temperature	° C	266
Required discharge pressure	mbar	0,11

For all technical data please see page 90.



**Technical drawing**

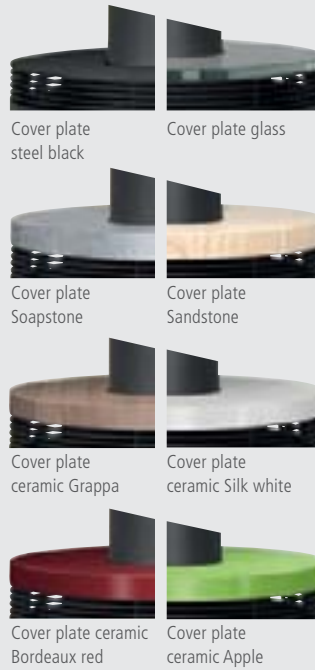
# A Rota



- ✓ Profiled firebox lining
- ✓ Integrated handle & multi point locking system
- ✓ Standard external combustion air connection

The connecting piece for external combustion air supply is not included in the scope of delivery.

Standard scope of delivery



All cover plates can also be ordered seperately.  
For more color variants please see page 88.

Variants



Integrated handle



Connecting piece for combustion air supply



Profiled vermiculite firebox lining

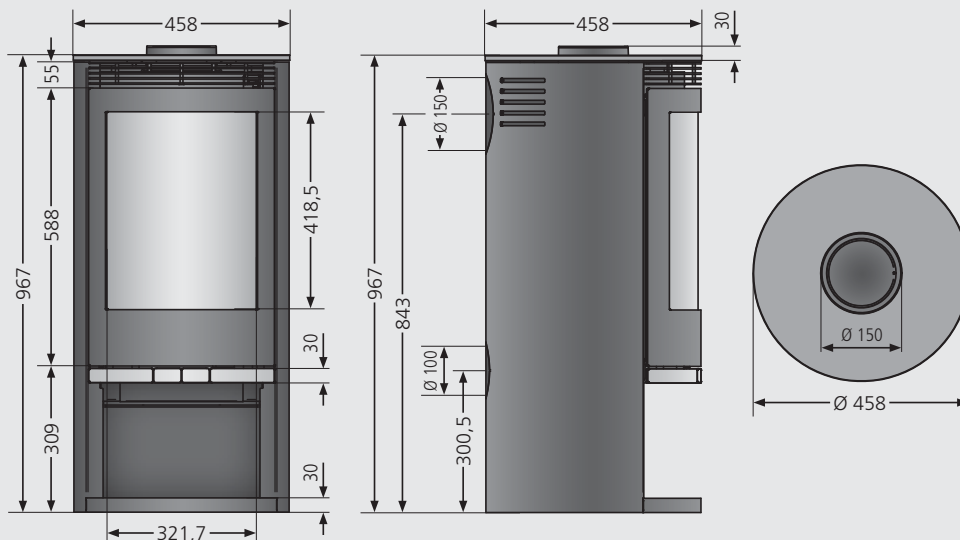
Details

Available designs	Order number	EAN-Code
Rota cover plate steel black, corpus steel black	4793 11	4029808507562
Rota cover plate glass, corpus steel black	4793 30	4029808508187
Rota cover plate Soapstone, corpus steel black	4793 22	4029808507586
Rota cover plate Sandstone, corpus steel black	4793 42	4029808508712
Rota cover plate ceramic Apple, corpus steel black	4793 31	4029808508194
Rota cover plate ceramic Bordeaux red, corpus steel black	4793 37	4029808507593
Rota cover plate ceramic Silk white, corpus steel black	4793 87	4029808507579
Rota cover plate ceramic Grappa, corpus steel black	4793 32	4029808508200
Optional accessories		
Connecting piece for combustion air supply	9200 69	402980779991
Rotating tray black, Ø 460 mm (connection rear)	9214 72	4029808539426

Energy efficiency class		A
Connection possibility		top / rear
Operation with external air		rear
Nominal heat output	kW	5,0
Weight (incl. packaging) steel / stone, ceramic	kg	120 / 130
Room heating capability	m³	88
Length of logs	cm	30
Exhaust gas mass flow	g / s	4,6
Exhaust gas temperature	° C	254
Required discharge pressure	mbar	0,12

For all technical data please see page 90.

Technical Data



Technical drawing



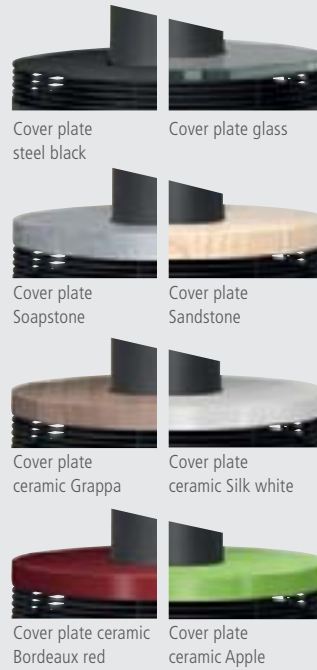
# A Rota Top



- ✓ Profiled firebox lining
- ✓ Integrated handle & multi point locking system
- ✓ Standard external combustion air connection
- ✓ Door for wood log storage

The connecting piece for external combustion air supply is not included in the scope of delivery.

Standard scope of delivery



All cover plates can also be ordered seperately.  
For more color variants please see page 88.

Variants



Integrated handle



Closed oor for wood log storage



Profiled vermiculite firebox lining

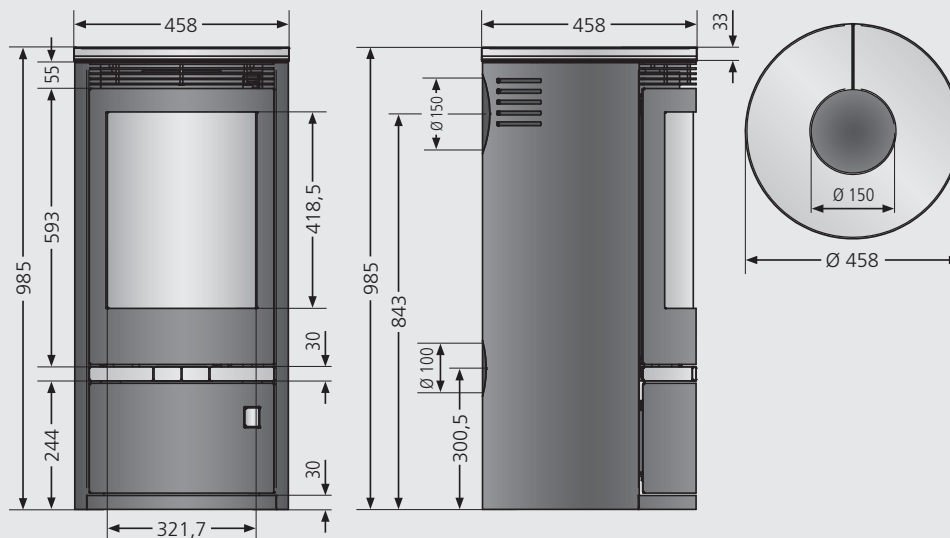
Details

Available designs	Order number	EAN-Code
Rota Top cover plate steel black, corpus steel black	4793 50	4029808539556
Rota Top cover plate glass, corpus steel black	4793 51	4029808539563
Rota Top cover plate Soapstone, corpus steel black	4793 52	4029808539570
Rota Top cover plate Sandstone, corpus steel black	4793 53	4029808539587
Rota Top cover plate ceramic Apple, corpus steel black	4793 54	4029808539594
Rota Top cover plate ceramic Bordeaux red, corpus steel black	4793 55	4029808539600
Rota Top cover plate ceramic Silk white, corpus steel black	4793 56	4029808539617
Rota Top cover plate ceramic Grappa, corpus steel black	4793 57	4029808539624
Optional accessories		
Connecting piece for combustion air supply	9200 69	4029807779991
Rotating tray black, Ø 460 mm (connection rear)	9214 72	4029808539426

Energy efficiency class		A
Connection possiblility		top / rear
Operation with external air		rear
Nominal heat output	kW	5,0
Weight (incl. packaging) steel / stone, ceramic	kg	120 / 130
Room heating capability	m³	88
Length of logs	cm	30
Exhaust gas mass flow	g / s	4,6
Exhaust gas temperature	° C	254
Required discharge pressure	mbar	0,12

For all technical data please see page 90.

Technical Data



Technical drawing

# A Rota Tre

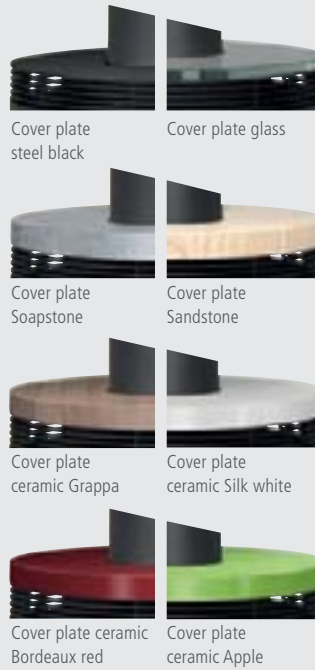




- ✓ Profiled burning chamber lining
- ✓ Integrated handle bar for multiple locking
- ✓ Standard external combustion air connection

The connecting piece for external combustion air supply is not included in the scope of delivery.

Standard scope of delivery



All cover plates can also be ordered seperately.  
For more color variants please see page 88.

Variants



integrated handle bar



Triple window



Profiled vermiculite firebox lining

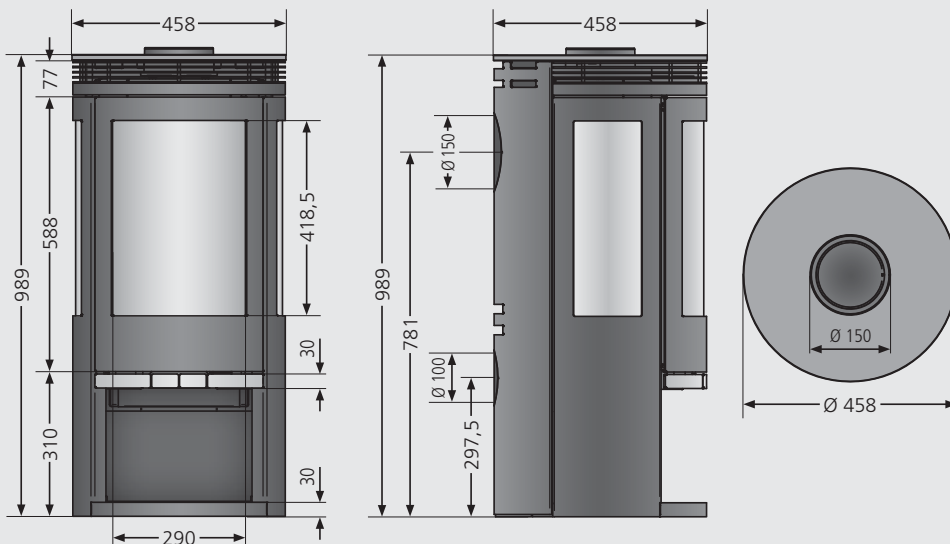
Details

Available designs	Order number	EAN-Code
Rota Tre cover plate steel black, corpus steel black	4794 11	4029808507609
Rota Tre cover plate glass, corpus steel black	4794 30	4029808508217
Rota Tre cover plate Soapstone, corpus steel black	4794 22	4029808507616
Rota Tre cover plate Sandstone, corpus steel black	4794 42	4029808508705
Rota Tre cover plate ceramic Apple, corpus steel black	4794 31	4029808508224
Rota Tre cover plate ceramic Bordeaux red, corpus steel black	4794 37	4029808507623
Rota Tre cover plate ceramic Silk white, corpus steel black	4794 87	4029808507630
Rota Tre cover plate ceramic Grappa, corpus steel black	4794 32	4029808508231
Optional accessories		
Connecting piece for combustion air supply	9200 69	4029807779991
Rotating tray black, Ø 460 mm (connection rear)	9214 72	4029808539426

Energy efficiency class		A
Connection possibility		top / rear
Operation with external air		rear
Nominal heat output	kW	5,0
Weight (incl. packaging) steel / stone, ceramic	kg	120 / 130
Room heating capability	m³	88
Length of logs	cm	30
Exhaust gas mass flow	g / s	4,5
Exhaust gas temperature	° C	255
Required discharge pressure	mbar	0,12

For all technical data please see page 90.

Technical Data



Technical drawing

# A Hera R

124  
m<sup>3</sup>

>80  
%

SAFE



33cm



- ✓ ORANIER Safe-locking-system
- ✓ Air-flow handle
- ✓ Standard external combustion air connection

The connecting piece for external combustion air supply is not included in the scope of delivery.



The wood stove Hera R. is approved for independent of ambient air operation.  
DIBt: Z 43.12-324

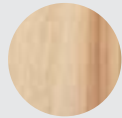
Standard scope of delivery



Corpus steel grey  
Corpus steel black



Soapstone



Sandstone



Hera R Soapstone, corpus steel grey

For more color variants please see page 88.

Variants



Extra large heat storage stone compartment



Safe-locking-system (hydraulic system)



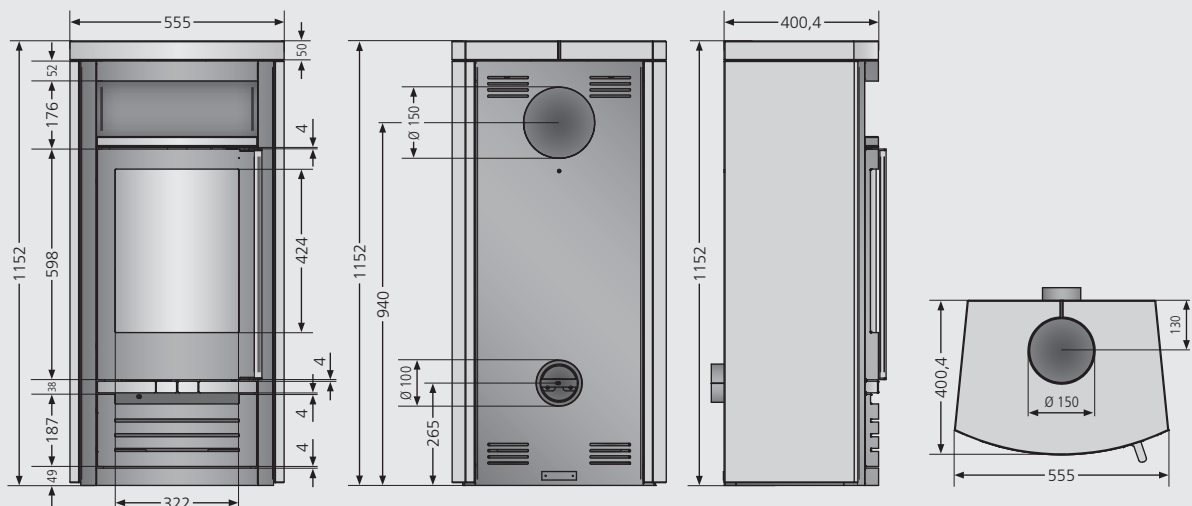
Connecting piece for combustion air supply

Details

Available designs	Order number	EAN-Code
Hera R steel grey	4320 29	4029808508354
Hera R Soapstone, corpus steel grey	4320 22	4029808508361
Hera R Sandstone, corpus steel black	4320 42	4029808508378

Energy efficiency class		A
Connection possibility		top / rear
Independent of ambient air operation		rear
Nominal heat output	kW	6,0
Weight (incl. packaging) steel / stone	kg	135 / 210
Room heating capability	m <sup>2</sup>	124
Length of logs	cm	33
Exhaust gas mass flow	g / s	6,0
Exhaust gas temperature	° C	280
Required discharge pressure	mbar	0,12

For all technical data please see page 90.



Technical drawing



# A+ Corner



- ✓ Coverplate and side paneling made of stone
- ✓ Integrated handle bar
- ✓ Standard external combustion air connection

The connecting piece for external combustion air supply is not included in the scope of delivery.

Standard scope of delivery

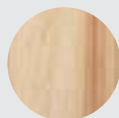
Corpus in steel:



Grey / Black



Soapstone



Sandstone



Corner Sandstone, corpus steel black

For more color variants please see page 88.

Variants



Cover plate Soapstone



Integrated handle bar



Connecting piece for combustion air supply

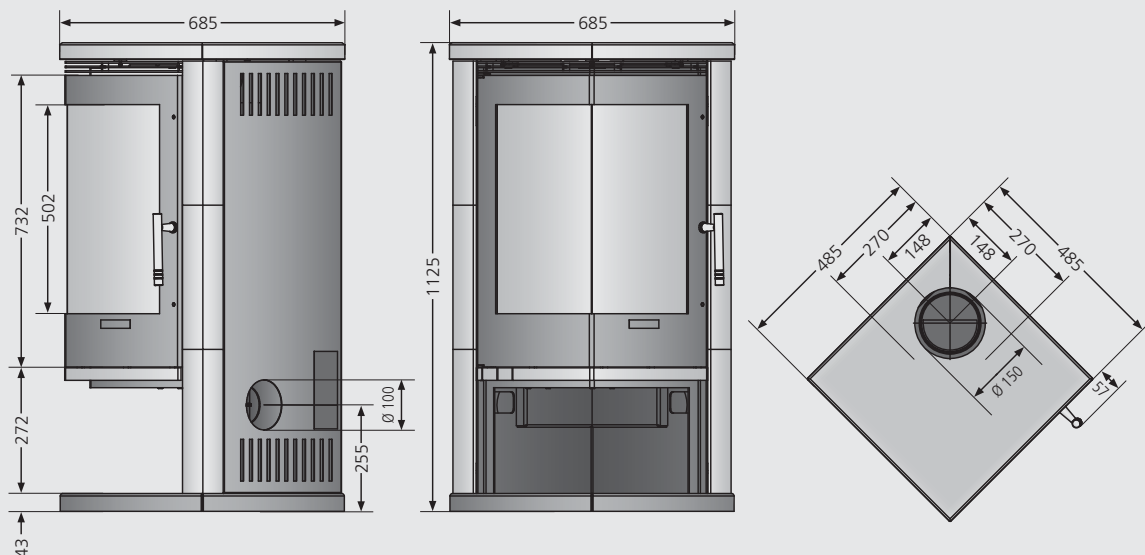
Details

Available designs	Order number	EAN-Code
Corner Soapstone, corpus steel grey	6930 22	4029808459106
Corner Sandstone, corpus steel black	6930 32	4029808459113
Optional accessories		
Connecting piece for combustion air supply	9200 69	4029807779991

Technical Data

Energy efficiency class		A+
Connection possibility		top
Operation with external air		rear
Nominal heat output	kW	7,0
Weight (incl. packaging)	kg	144
Room heating capability	m <sup>3</sup>	144
Length of logs	cm	33
Exhaust gas mass flow	g / s	8,5
Exhaust gas temperature	°C	266
Required discharge pressure	mbar	0,12

For all technical data please see page 90.



Technical drawing

# A+ Corner





- ✓ Coverplate and side paneling made of stone
- ✓ Integrated handle bar
- ✓ Standard external combustion air connection

The connecting piece for external combustion air supply is not included in the scope of delivery.

Standard scope of delivery

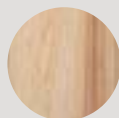
Corpus in steel:



Grey / Black



Soapstone



Sandstone



Corner Sandstone, corpus steel black

For more color variants please see page 88.

Variants



Cover plate Soapstone



Integrated handle bar



Connecting piece for combustion air supply

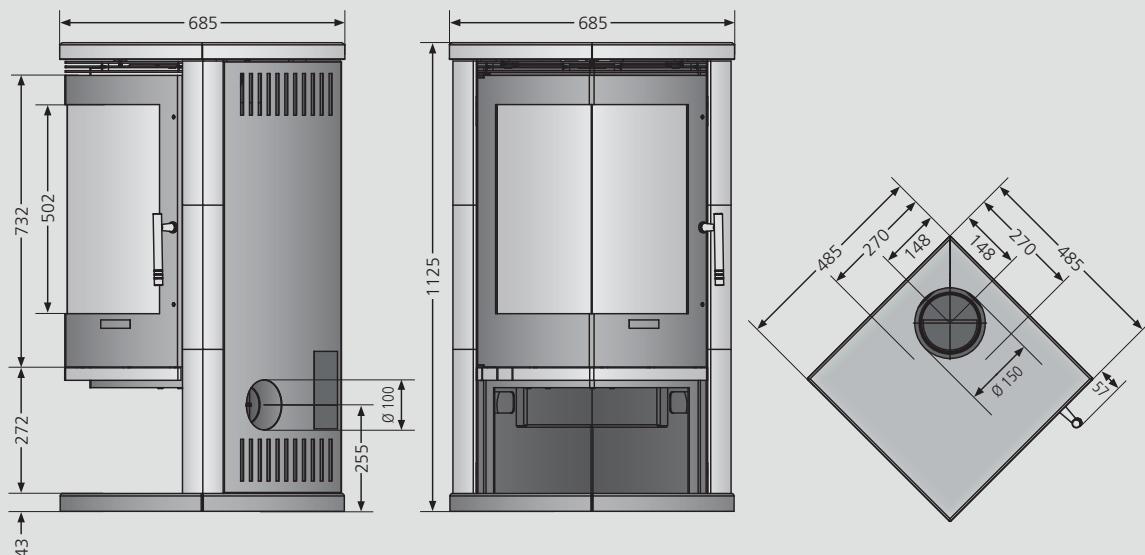
Details

Available designs	Order number	EAN-Code
Corner Soapstone, corpus steel grey	6930 22	4029808459106
Corner Sandstone, corpus steel black	6930 32	4029808459113
Optional accessories		
Connecting piece for combustion air supply	9200 69	4029807779991

Technical Data

Energy efficiency class		A+
Connection possibility		top
Operation with external air		rear
Nominal heat output	kW	7,0
Weight (incl. packaging)	kg	144
Room heating capability	m <sup>3</sup>	144
Length of logs	cm	33
Exhaust gas mass flow	g / s	8,5
Exhaust gas temperature	°C	266
Required discharge pressure	mbar	0,12

For all technical data please see page 90.



Technical drawing



Wood stoves with boiler function

## The aqua series ≈

### A perfect combination:

All wood stoves and wood stove sets of the Aqua-Series by ORANIER are able to support the central heating system of the entire household. Owing to the advanced technique it is possible to contribute up to 60%-70% of the heat into the water cycle of the heating system. The other 30%-40% heat the room where the wood stove is installed.

ORANIER's comprehensive technical support provides valuable data for planning your heating system. Additionally, the necessary accessories like AquaLoad-storage-charging-station, AquaControl-difference-controller and thermal discharge safety device, are available at ORANIER. The installation of an energy storage tank of at least 300 liters is fundamental for the Aqua-System. When combined with a solar system, a larger storage tank is required.

### Information:

Operation without connection to the heating system is not possible and the connection must be completed by a qualified installer.

The combination of an ORANIER wood stove with boiler function and another heat generator based on regenerative energy, e.g. solar energy or heat pump, can be very interesting for people who want to live an environmental friendly lifestyle.



Pori Aqua ≈



Arena Aqua ≈



A+

# Polar Neo Aqua ≈

with boiler function



- ✓ Automatic control
- ✓ Safe-locking-system
- ✓ Height-adjustable feet
- ✓ Standard external combustion air connection (The connecting piece for external combustion air supply is included in the scope of delivery.)
- ✓ Solid cast iron door / cast iron base
- ✓ Extra large ash tray
- ✓ Stone/tile models with cover plate combination
- ✓ Thermal discharge safety device

**The wood stove Polar Neo Aqua with boiler function and safety-locking-system is approved for independent of ambient air operation.**

**Standard scope of delivery**

Corpus in steel:



Grey / Black



Soapstone



Sandstone



Tile Namib



Tile Silk White



Tile Pepper red



Tile Grappa

For more color variants please see page 88.

**Variants**



Water connection at the backside



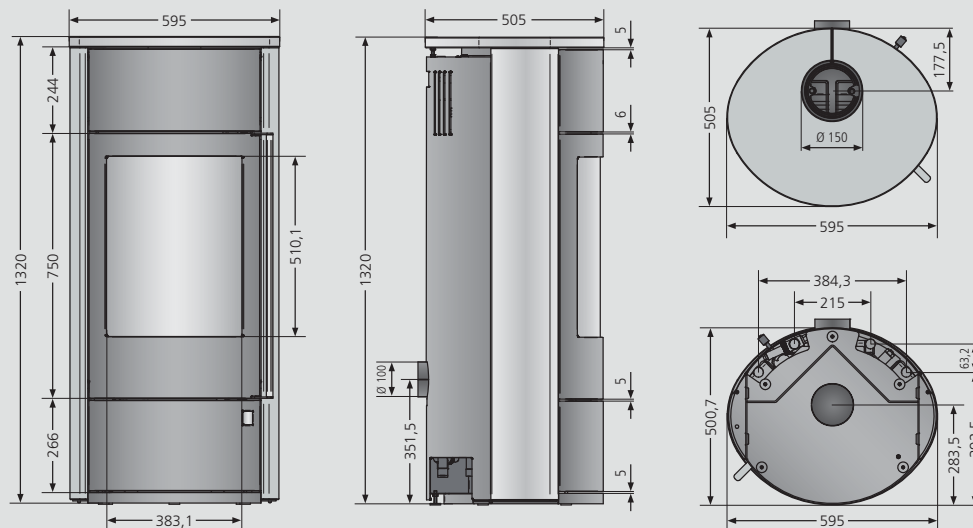
Safe-locking-system

**Details**

	Available designs	Order number	EAN-Code
Corpus steel grey	Polar Neo Aqua steel grey	7615 29	4029808539785
	Polar Neo Aqua Soapstone, corpus steel grey	7615 22	4029808539808
	Polar Neo Aqua Sandstone, corpus steel grey	7615 32	4029808539822
	Polar Neo Aqua tile Namib, corpus steel grey	7615 80	4029808539846
	Polar Neo Aqua tile Silk white, corpus steel grey	7615 81	4029808539860
	Polar Neo Aqua tile Pepper red, corpus steel grey	7615 82	4029808539884
	Polar Neo Aqua tile Grappa, corpus steel grey	7615 83	4029808539907
Corpus steel black	Polar Neo Aqua steel black	7615 11	4029808539792
	Polar Neo Aqua Soapstone, corpus steel black	7615 52	4029808539815
	Polar Neo Aqua Sandstone, corpus steel black	7615 42	4029808539839
	Polar Neo Aqua tile Namib, corpus steel black	7615 84	4029808539853
	Polar Neo Aqua tile Silk white, corpus steel black	7615 85	4029808539877
	Polar Neo Aqua tile Pepper red, corpus steel black	7615 86	4029808539891
	Polar Neo Aqua tile Grappa, corpus steel black	7615 87	4029808539914
Optional accessories			
	AquaLoad-storage-charging-station	9206 98	4029808403437
	Telescopic cover AquaCover steel grey	9214 90	4029808543409
	Telescopic cover AquaCover black	9214 91	4029808543416
	Cast iron door for wood storage steel gray Polar Neo Aqua	9214 85	4029808542679
	Cast iron door for wood storage black Polar Neo Aqua	9214 88	4029808542709
	OrKa CONTROL (for description please see page 82)	9214 74	4029808540064

Energy efficiency class		A+
Connection possibility		top
Independent of ambient air operation		rear / bottom
Nominal heat output	kW	10,0
Water-side performance	kW	6,0
Weight (incl. packaging) steel / stone, tile	kg	210 / 250
Room heating capability	m <sup>3</sup>	200
Length of logs	cm	35
Exhaust gas mass flow	g / s	8,1
Exhaust gas temperature	° C	227
Required discharge pressure	mbar	0,12

For all technical data please see page 90.



**Technical drawing**

A+

# Arena Aqua ≈

with boiler function





- ✓ ORANIER safe-locking-system
- ✓ Air-flow handle
- ✓ Solid cast iron base with rotating grid
- ✓ Thermal discharge safety device (TAS)
- ✓ Standard external combustion air connection (connecting pieces are preassembled and inclusive)



The wood stove Arena Aqua is approved for independent of ambient air operation

DIBt: Z-43.11-408

Standard scope of delivery



Steel black, cover plate steel black



Steel black, cover plate glass



Steel black, cover plate Soapstone



Steel black, cover plate Sandstone



Steel black, cover plate Limestone cream

For more color variants please see page 88.

Variants



Safe-locking-system



Water connection at the backside



Thermal discharge safety device

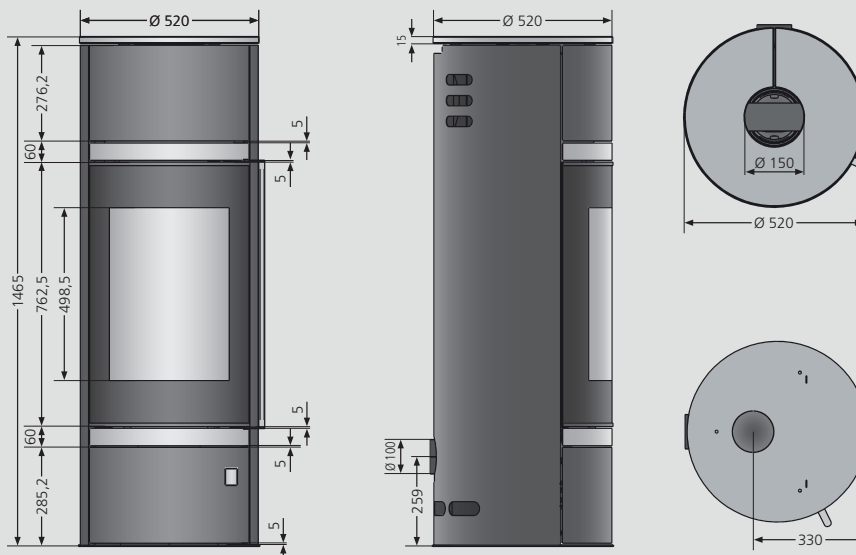
Details

Available designs	Order number	EAN-Code
Arena Aqua cover plate steel black, corpus steel black	4896 11	4029808523920
Arena Aqua cover plate glass, corpus steel black	4896 30	4029808523883
Arena Aqua cover plate Soapstone, corpus steel black	4896 22	4029808523876
Arena Aqua cover plate Sandstone, corpus steel black	4896 42	4029808523890
Arena Aqua cover plate Limestone cream, corpus steel black	4896 87	4029808523906
Optional accessories		
Telescopic cover Aqua Cover steel black	9214 01	4029808523937
AquaLoad-storage-charging-station	9206 98	4029808403437

Energy efficiency class		A+
Connection possibility		top
Independent of ambient air operation		rear / bottom
Nominal heat output	kW	8,5
Water-side performance	kW	4,2
Weight (incl. packaging) steel / stone, ceramic	kg	208 / 258
Room heating capability	m <sup>3</sup>	200
Length of logs	cm	33
Exhaust gas mass flow	g / s	8,9
Exhaust gas temperature	°C	271
Required discharge pressure	mbar	0,14

For all technical data please see page 90.

Technical Data



Technical drawing

A+

# Pori Aqua ≈

with boiler function



240<sub>m</sub>

>83%



- ✓ Stone cover plate combination with warming compartment
- ✓ Heating start flap
- ✓ Thermal discharge safety device (TAS)
- ✓ Air-flow handle
- ✓ Door for wood log storage
- ✓ Standard external combustion air connection

The connecting piece for supply of combustion air is not included on the scope of delivery.

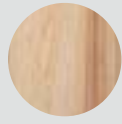
**Standard scope of delivery**



Corpus steel grey  
Corpus steel black



Soapstone



Sandstone



Sandstone, corpus steel black

For more color variants please see page 88.

**Variants**



Air-flow handle



Heating start flap



Water connection at the backside

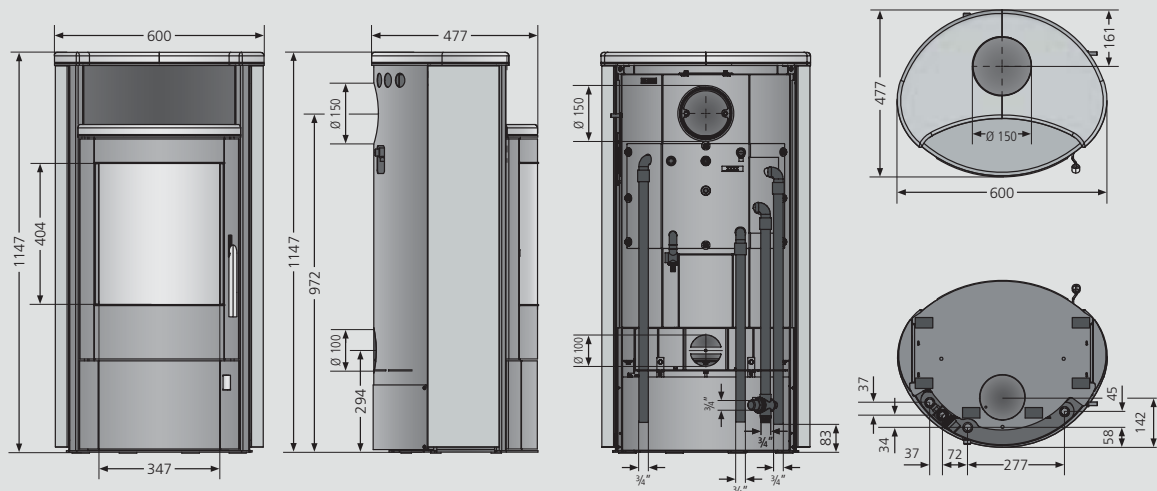
**Details**

Available designs	Order number	EAN-Code
Pori Aqua steel grey	7712 29	4029808540149
Pori Aqua Soapstone, corpus steel grey	7712 22	4029808540156
Pori Aqua Sandstone, corpus steel black	7712 42	4029808540163
Optional accessories		
Connecting piece for combustion air supply	9200 69	4029807779991
Telescopic cover AquaCover steel grey	9214 31	4029808525313
Telescopic cover AquaCover steel black	9214 32	4029808525320
AquaLoad-storage-charging-station	9206 98	4029808403437

Energy efficiency class		A+
Connection possibility		top / rear
Operation with external air		rear
Nominal heat output	kW	10,0
Water-side performance	kW	5,0
Weight (incl. packaging) steel / stone	kg	148 / 202
Room heating capability	m <sup>3</sup>	240
Length of logs	cm	33
Exhaust gas mass flow	g / s	8,8
Exhaust gas temperature	°C	254
Required discharge pressure	mbar	0,12

For all technical data please see page 90.

**Technical Data**



**Technical drawing**



A+

# Belt Aqua Panorama ≈

with boiler function



240  
m

>81  
%



36cm



- ✓ Soapstone paneling with heat storage stone compartment
- ✓ Heating start flap
- ✓ Thermal discharge safety device (TAS)
- ✓ Air-flow handle
- ✓ Standard external combustion air connection

The connecting piece for external combustion air supply is not included in the scope of delivery.

**Standard scope of delivery**



Soapstone



For more color variants please see page 88.

**Variants**



Air-flow handle



Heating start flap



Thermal discharge safety device

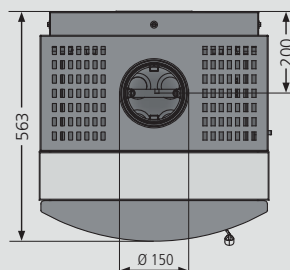
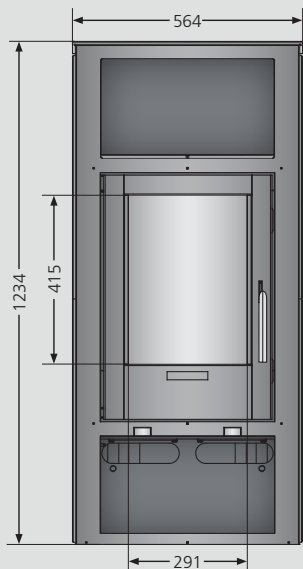
**Details**

Available designs	Order number	EAN-Code
Belt Aqua Panorama steel grey with Soapstone inlay	7603 10	4029808435490
Optional accessories		
Connecting piece for combustion air supply	9200 69	4029807779991
AquaLoad-storage-charging-station	9206 98	4029808403437

**Technical Data**

Energy efficiency class		A+
Connection possibility		top
Operation with external air		rear
Nominal heat output	kW	10,0
Water-side performance	kW	6,0
Weight (incl. packaging)	kg	220
Room heating capability	m <sup>3</sup>	240
Length of logs	cm	36
Exhaust gas mass flow	g / s	10,8
Exhaust gas temperature	° C	217
Required discharge pressure	mbar	0,12

For all technical data please see page 90.



**Technical drawing**





# Wood stove sets

With its series of wood stove sets, ORANIER has created a product line that combines the advantages of a wood stove and a heating fireplace:

- Highly efficient wood stove sets in modular design.
- Fast assembly of fireplace insert and concrete elements.
- Installation flush to the wall without the need of extra insulation.
- ORANIER wood stove sets can be disassembled and assembled in another location.
- Officially authorized wood stoves that meet all requirements for the BImSchV.
- The special light weight concrete elements (LAC12) must be painted after assembly. This will harden the surface and will improve resistance against concrete cracks. Commercial paints can be used.
- Temperature resistant up to 300°C.



# A+ Club (W+) <sup>opti</sup>



optional





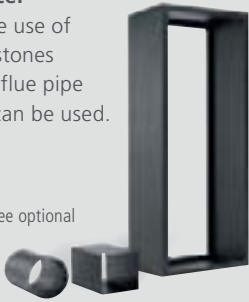
- ✓ Complete wood stove set
- ✓ Set of elements made of light-weight concrete (Dispersion paint is mandatory!)
- ✓ Closing edge for flush mounted construction
- ✓ Standard external combustion air connection
- ✓ Freestanding construction possible
- ✓ Heat saving stone W+ available optional

The connecting piece for external combustion air supply is not included in the scope of delivery.

**Please notice:**

In case of the use of heat saving stones only the top flue pipe connection can be used.

Wood holder (see optional accessories)



**Standard scope of delivery**



Natural stone Ruvina



Concrete slate



Club W+ mantel natural stone Ruvina

For more color variants please see page 88.

**Variants**



Heat saving stone W+ (optional)



User-friendly handle bar



Elements made of lightweight concrete (paint mandatory!)

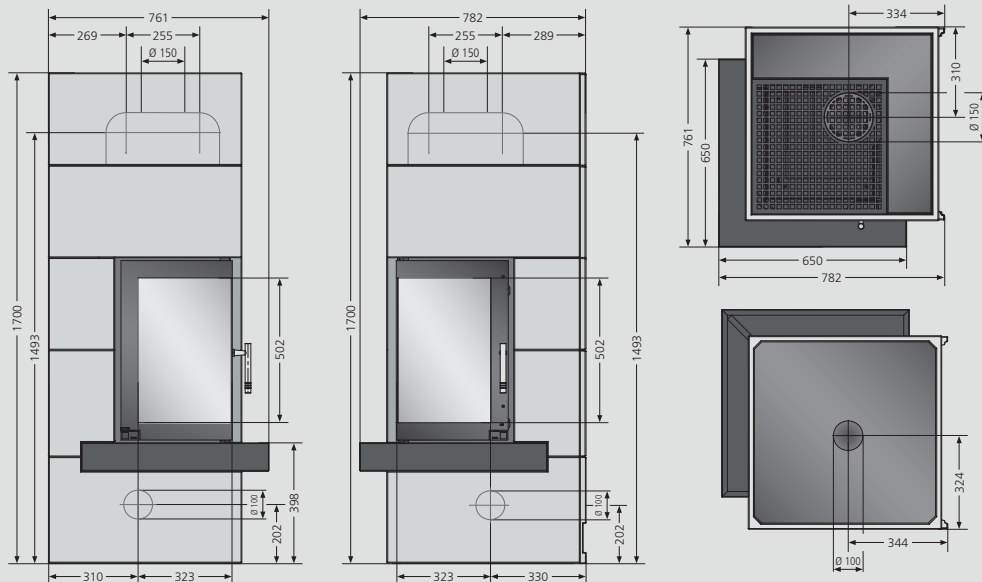
**Details**

Available designs	Order number	EAN-Code
Club mantel concrete slate, corpus steel black	5621 90	4029808540439
Club mantel natural stone Ruvina, corpus steel black	5621 30	4029808543546
Optional accessories		
Connecting piece for combustion air supply	9200 69	402980779991
Heat saving stone W+ for Club, Quadrum, Lineus	9214 92	4029808543638
Wood holder, steel black (H x W x D: 1500 x 600 x 350 mm)	9214 28	4029808525283

Energy efficiency class		A+
Connection possibility		top / rear
Operation with external air		rear / bottom
Nominal heat output	kW	7,0
Weight (incl. packaging)	kg	405
Weight heat storage stone W+	ca. kg	160
Room heating capability	m <sup>3</sup>	144
Length of logs	cm	33
Exhaust gas mass flow	g / s	8,5
Exhaust gas temperature	°C	241
Required discharge pressure	mbar	0,12

For all technical data please see page 90.

**Technical Data**



**Technical drawing**



# A Club Tre



- ✓ Complete wood stove set
- ✓ Set of elements made of light-weight concrete (Dispersion paint is mandatory!)
- ✓ Closing edge for flush mounted construction
- ✓ Standard external combustion air connection
- ✓ Freestanding construction possible

The connecting piece for external combustion air supply is not included in the scope of delivery.

Only available from 2018



Standard scope of delivery



Natural stone Ruvina



Concrete slate



Mantel in natural stone Ruvina

For more color variants please see page 88.

Variants



Three sided window (can be pushed up)



Elements made of lightweight concrete (paint mandatory!)

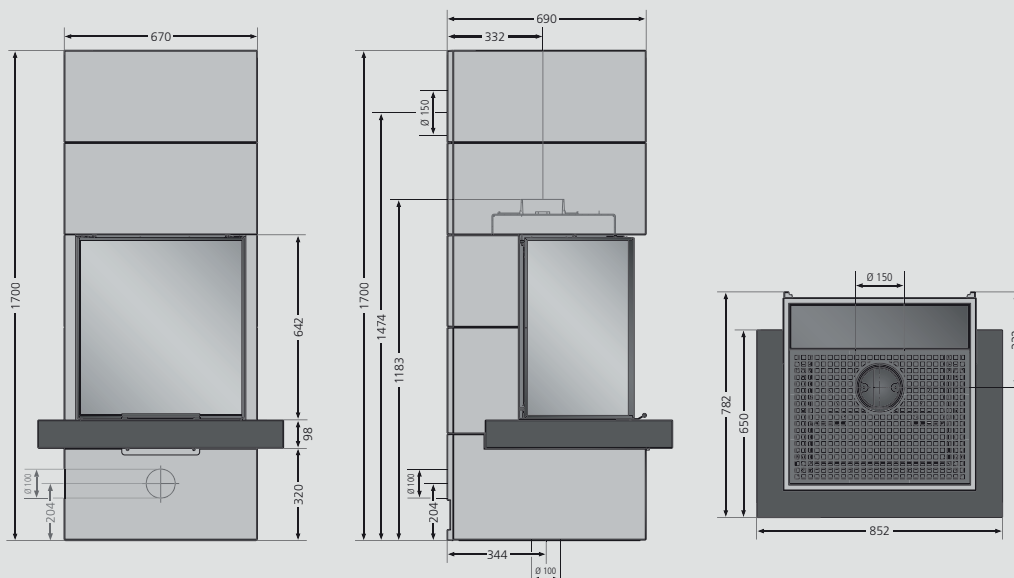
Details

Available designs	Order number	EAN-Code
Club Tre mantel concrete slate	5626 90	4029808560055
Club Tre mantel natural stone Ruvina	5626 30	4029808560062
Optional accessories		
Connecting piece for combustion air supply	9200 69	4029807779991
Wood holder, steel black (H x W x D: 1500 x 600 x 350 mm)	9214 28	4029808525283

Energy efficiency class		A
Connection possibility		top / rear
Operation with external air		rear / bottom
Nominal heat output	kW	7,0
Weight (incl. packaging)	kg	300
Room heating capability	m <sup>3</sup>	144
Length of logs	cm	40
Exhaust gas mass flow	g / s	7,8
Exhaust gas temperature	° C	234
Required discharge pressure	mbar	0,12

For all technical data please see page 90.

Technical Data



Technical drawing

# A Quadrum (W+) optional



144 m<sup>3</sup>

>80 %



optional







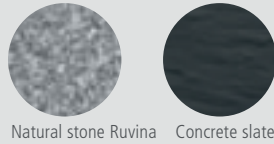
- ✓ Complete wood stove set
- ✓ Set of elements made of lightweight concrete (Dispersion paint is mandatory!)
- ✓ Closing edge for flush mounted construction
- ✓ Standard external combustion air connection
- ✓ Freestanding construction possible
- ✓ Heat saving stone W+ available optional

The connecting piece for external combustion air supply is not included in the scope of delivery.

Please notice:  
option to the right = handle on right side  
option to the left = handle on left side

**Please notice:**  
In case of the use of heat saving stones only the top flue pipe connection can be used.  
Installation in low energy houses not possible.

Standard scope of delivery



Natural stone Ruvina Concrete slate



Quadrum W+, mantel in natural stone Ruvina, corpus steel black, to the right

For more color variants please see page 88.

Variants



Elements made of lightweight concrete (paint mandatory!)



Heat saving stone W+ (optional)



Big glass window

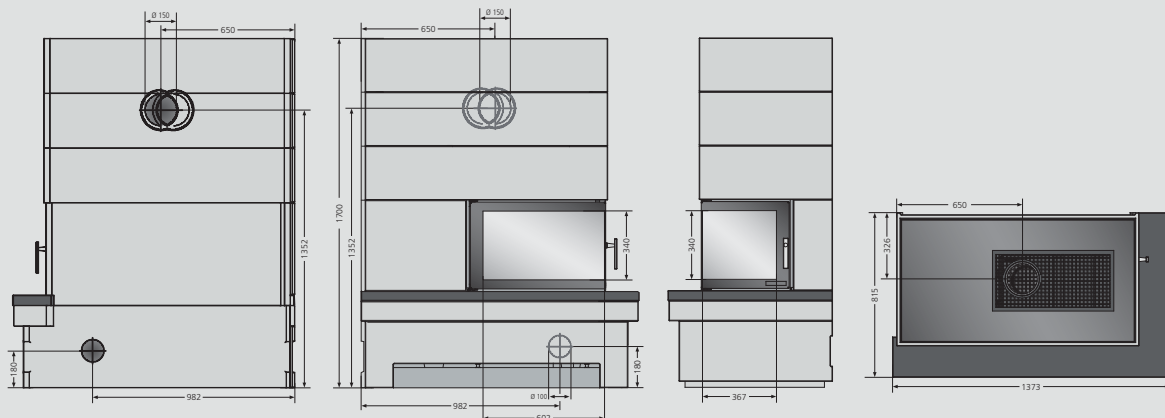
Details

Available designs	Order number	EAN-Code
Quadrum mantel concrete slate, corpus steel black, to the left	5622 90	4029808540453
Quadrum mantel concrete slate, corpus steel black, to the right	5623 90	4029808540460
Quadrum mantel natural stone Ruvina, corpus steel black, to the left	5622 30	4029808543577
Quadrum mantel natural stone Ruvina, corpus steel black, to the right	5623 30	4029808543584
Optional accessories		
Connecting piece for combustion air supply	9200 69	4029807779991
Heat saving stone W+ for Club, Quadrum, Lineus	9214 92	4029808543638
Wood holder, steel black (H x W x D: 1500 x 600 x 350 mm)	9214 28	4029808525283

Energy efficiency class		A
Connection possibility		top / rear
Operation with external air		rear / bottom
Nominal heat output	kW	7,0
Weight (incl. packaging)	kg	509
Weight heat storage stone W+	ca. kg	160
Room heating capability	m <sup>3</sup>	144
Length of logs	cm	40
Exhaust gas mass flow	g / s	9,2
Exhaust gas temperature	°C	208
Required discharge pressure	mbar	0,12

For all technical data please see page 90.

Technical Data



Technical drawing

# A Lineus (W+) <sup>optis</sup>



144 m<sup>3</sup>

>82 %



33cm



optional





- ✓ Complete wood stove set
- ✓ Set of elements made of lightweight concrete (Dispersion paint is mandatory!)
- ✓ Closing edge for flush mounted construction
- ✓ Standard external combustion air connection
- ✓ Freestanding construction possible
- ✓ Heat saving stone W+ available optional

The connecting piece for external combustion air supply is not included in the scope of delivery.

**Please notice:**

In case of the use of heat saving stones only the top flue pipe connection can be used.

**Standard scope of delivery**



Natural stone Ruvina



Concrete slate



Lineus W+ mantel in natural stone Ruvina

For more color variants please see page 88.

**Variants**



Elements made of lightweight concrete (paint mandatory!)



Heat saving stone W+ (optional)



Big combustion chamber window

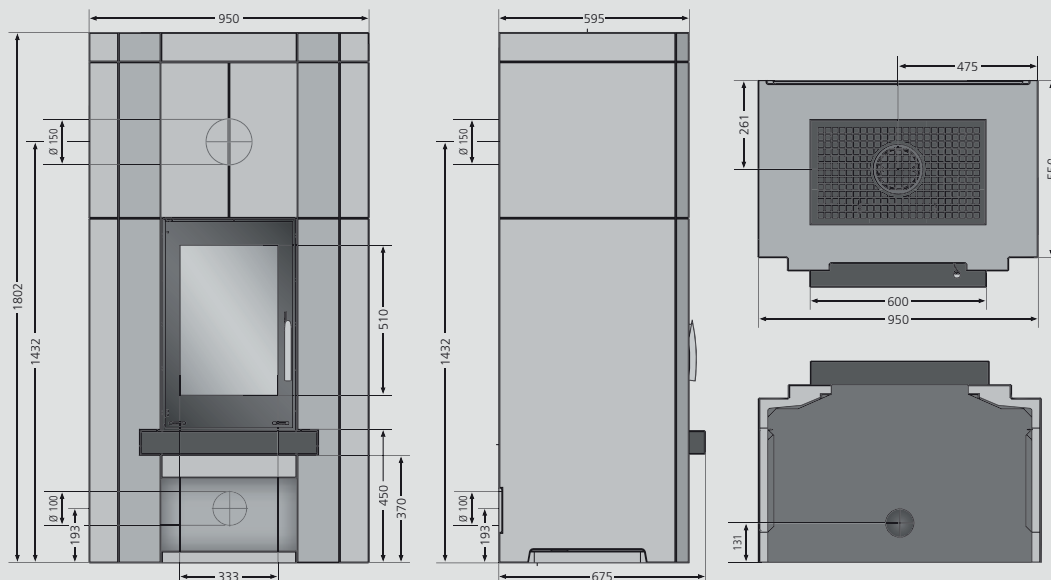
**Details**

Available designs	Order number	EAN-Code
Lineus mantel concrete slate	5624 90	4029808540477
Lineus mantel natural stone Ruvina	5624 30	4029808543591
Optional accessories		
Connecting piece for combustion air supply	9200 69	4029807779991
Heat saving stone W+ for Club, Quadrum, Lineus	9214 92	4029808543638
Wood holder, steel black (H x W x D: 1500 x 600 x 350 mm)	9214 28	4029808525283

Energy efficiency class		A
Connection possibility		top / rear
Operation with external air		rear / bottom
Nominal heat output	kW	7,0
Weight (incl. packaging)	kg	220
Weight heat storage stone W+	ca. kg	160
Room heating capability	m <sup>3</sup>	144
Length of logs	cm	33
Exhaust gas mass flow	g / s	8,5
Exhaust gas temperature	°C	268
Required discharge pressure	mbar	0,12

For all technical data please see page 90.

**Technical Data**



**Technical drawing**







# Pellet stoves

## Strong Values ...

Safe, clean, attractive – Combustion technology of the 21st century has one claim:

The sustainable connection between ecology and economy. Pellet stoves are the perfect combination of sustainable thinking, comfortable living atmosphere and economical heating.

## Our pellet stoves ...

- ... modulate the heating automatically and use safe fuels.
- ... turn off when the required temperature is exceeded by 0.6 °C and switch into standby mode so the rooms do not overheat.
- ... earned the following quality seals: EFA, Blue Angel, environmental award of Austria
- ... have a very low noise level
- ... can be cleaned with hardly any tools
- ... can be adjusted for different fuels
- ... have a display of flames very similar to wood stoves
- ... use a fire pot for very little formation of soot



A++ Carus  
Carus Aqua ≈



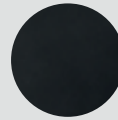


- ✓ Extra large pellet tank
- ✓ Slide mechanism for easy refill
- ✓ Big combustion chamber window
- ✓ Retractable control panel
- ✓ Handy door-opening-system with rod handle
- ✓ height-adjustable feet
- ✓ Automatic burner pot cleaning
- ✓ Temperature-dependent performance control
- ✓ Night lowering
- ✓ Switching times are automatically programmable
- ✓ Permanent check of the differential pressure for power variation of the exhaust gas fan (depending on the chimney draught)
- ✓ Touch-control-panel with a symbol- and dialog interface
- ✓ No convection fan

The return flow rise is not included in the scope of delivery.

**The pellet stove Carus is approved for independent of ambient air operation.**

**Technical features**



Steel black



Soapstone



Tile Limestone cream

For more color variants please see page 88.

**Variants**



Slide mechanism cover plate



Remote control Carus (optional available)



Retractable control panel

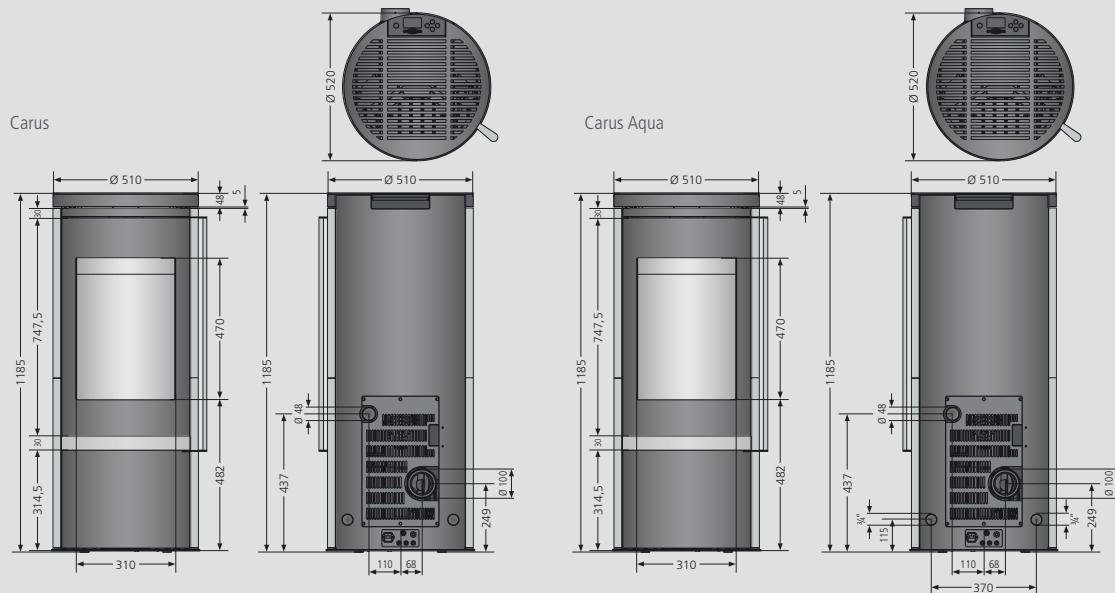
**Details**

Available designs	Order number	EAN-Code
Carus, steel black	7960 11	4029808523531
Carus, Soapstone, corpus steel black	7960 22	4029808523548
Carus, tile Limestone cream, corpus steel black	7960 87	4029808524002
Carus Aqua, steel black	7990 11	4029808523593
Carus Aqua, Soapstone, corpus steel black	7990 22	4029808523609
Carus Aqua, tile Limestone cream, corpus steel black	7990 87	4029808523999
Optional accessories		
Remote control Carus	9214 29	4029808525290
GMS-module for smart phone control	9214 30	4029808525306
AquaLoad-storage-charging-station	9206 98	4029808403437
Adapter for external combustion air	9215 13	4029808556737

	Carus	Carus Aqua
Energy efficiency class	A++	A++
Connection possibility	rear	rear
Independent of ambient air operation	rear	rear
Nominal heat output	kW 2,5 - 6,0	3,0-10,0
Water-side performance	kW -	6,5
Weight (incl. packaging) steel / stone, tile	kg 158 / 197	167 / 206
Fuel content	kg 32	
Combustion time max.	h 56	48
Room heating capability	m <sup>3</sup> bis 210	bis 350
Power connection	V 230	230
Power consumption	W 14-18	14-18

For all technical data please see page 90.

**Technical Data**



**Technical drawing**

A+

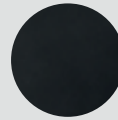
# Zephyr Zephyr Aqua ≈



- ✓ Extra large pellet tank with slideable top cover
- ✓ Control panel with large display
- ✓ Slide mechanism for for easy refill
- ✓ Height-adjustable feet
- ✓ Automatic burner pot cleaning
- ✓ Temperature-dependent performance control
- ✓ Night lowering
- ✓ Switching times are automatically programmable
- ✓ No convection fan

The return flow rise is not included in the scope of delivery.

**Technical features**



Steel black

**Variants**

For more color variants please see page 88.



Combustion chamber with burner pot



Control panel with large display



Slide mechanism cover plate for extra large pellet tank

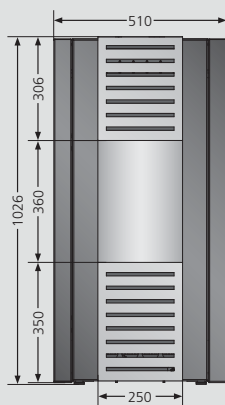
**Details**

Available designs	Order number	EAN-Code
Zephyr steel black	7910 11	4029808523500
Zephyr Aqua steel black	7970 11	4029808523562
Optional accessories		
GMS-module for smart phone control	9215 05	4029808547605
AquaLoad-storage-charging-station	9206 98	4029808403437
	<b>Zephyr</b>	<b>Zephyr Aqua</b>
Energy efficiency class	A+	A+
Connection possibility	rear	rear
Independent of ambient air operation	rear	rear
Nominal heat output	kW 2,5 - 6,0	2,8-9,2
Water-side performance	kW -	7,0
Weight (incl. packaging)	kg 157	165
Fuel content	kg 35	35
Combustion time max.	h 60	52
Room heating capability	m³ bis 210	bis 350
Power connection	V 230	230
Power consumption	W 14-18	14-18

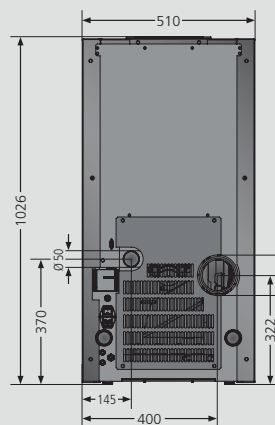
For all technical data please see page 90.

**Technical Data**

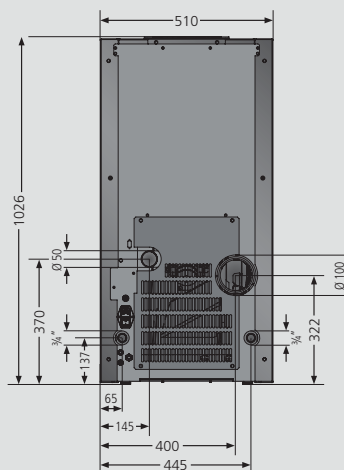
front view Zephyr & Zephyr Aqua



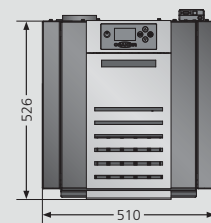
rear view Zephyr



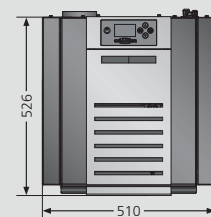
rear view Zephyr Aqua



top view Zephyr



top view Zephyr Aqua



**Technical drawing**



# Accessoires

Wood stoves & pellet stoves



## OrKa-CONTROL

OrKa-CONTROL provides electronically controlled combustion for optimal performance and efficiency. The electrical actuator regulates the combustion air supply by the different air inlets. Depending on the combustion temperature they are either open or closed.

### Your benefits:

- ✓ Very clean combustion with high efficiency
- ✓ Low cleaning and maintenance requirements
- ✓ High operating comfort
- ✓ Optimal fuel utilization
- ✓ Prevents exhaust gas return flow

Can be easily fitted to many ORANIER wood stoves:

- ✓ Polar Neo 4, 6 and 8
- ✓ Polar Neo Bakery
- ✓ Polar Neo Eck
- ✓ Polar Neo W+
- ✓ Polar Neo Aqua
- ✓ Arktis Neo 5 and 7



## Remote for pellet stove Carus

Control the temperature and flame size of your pellet stove Carus by remote!



## Rotating tray with locking mechanism

Make your stove turnable!

The rotating tray fits for all round ORANIER wood stoves (Only top flue pipe connection, not for devices with external combustion air connection).

Special kick with locking mechanism. Available in 2 sizes and colors.



## GMS-module for smart phone control of the pellet stoves Carus and Zephyr

With the GMS-module you are able to control your wood stove per text message. All you need is a SIM-card from your mobile provider (not included to the scope of delivery). Use for Android operating systems.



## Wood holder steel black

Wood holder with two inlays for individual design.

H x W x D: 1620 x 600 x 350 mm

	Order number	EAN-Code
OrKa-CONTROL	9214 74	4029808540064
Remote for pellet stove Carus	9214 29	4029808525290
GMS-module for pellet stove Carus	9214 30	4029808525306
GMS-module for pellet stove Zephyr	9215 05	4029808547605
Rotating tray black, ø 460 mm (Arkona Mineral plaster white, Rota Top, Rota Tre, Rota, Dio)	9214 72	4029808539426
Rotating tray steel grey, ø 460 mm (Arkona Mineral plaster white, Rota Top, Rota Tre, Rota, Dio)	9215 03	4029808545991
Rotating tray black, ø 510 mm (Arkona Soapstone, Arena W+, Arena, Corso)	9214 73	4029808539433
Rotating tray steel grey, ø 510 mm (Arkona Soapstone, Arena W+, Arena, Corso)	9215 04	4029808546004
Wood holder steel black	9214 28	4029808525283

# Accessoires

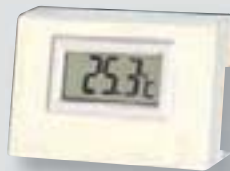
Wood stoves with boiler function



AquaControl III, Device W/H/D 110 x 172 x 46 mm

### AquaControl-difference-controller III

The AquaControl-difference-controller III is the smaller version of the MasterControl. It is used when a wood stove with boiler function operates without the solar panel system. The wood stove is wired in series connection to the tank. Achieving the necessary operating temperature at the heating device, the temperature difference-controller controls the AquaLoadPump and the 3-way-cross-valve, using 2 rotational speed controlled relay output and 4 sensor inputs.



Remote temperature display

### Remote temperature display

The remote temperature display measures the return flow temperature at the energy storage to prevent overheating the heat storage stone.



AquaLoad without cover

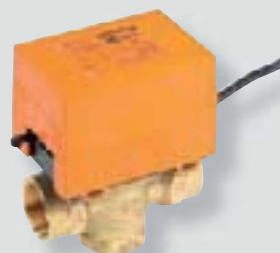


AquaLoad cover

### AquaLoad-storage-charging-station

Storage-charging-station in combination with the high efficiency pump Wilo Yonos RS 25-6.

Features: Thermo valve for return flow rise up to 55° to avoid falling below the dew point, thermometer for supply and return temperature, special insulation jackets for optimal insulation, solid wall mount.



3-way-cross-valve



AquaCover telescopic cover

### 3-way-cross-valve

Extra temperature resistant 3-way-cross-valve for connecting the wood stove with boiler function and energy storage into the conventional heating system.

	Order number	EAN-Code
AquaLoad-storage-charging-station	9206 98	4029808403437
AquaControl-difference-controller III	9213 22	4029808492639
Thermal discharge safety device, Sensor cable 4 m for Aquamodul KE 706	9205 43	4029808321564
Remote temperature display energy storage the energy storage	9207 69	4029808437784
3-way-cross-valve, extra temperature resistant	9207 70	4029808437791
Telescopic cover AquaCover steel grey for Pori Aqua	9214 31	4029808525313
Telescopic cover AquaCover steel black for Pori Aqua	9214 32	4029808525320
Telescopic cover AquaCover steel black for Astra Aqua	9213 10	4029808485488
Telescopic cover AquaCover steel grey for Polar Neo Aqua	9214 90	4029808543409
Telescopic cover AquaCover steel black for Polar Neo Aqua	9214 91	4029808543416
Telescopic cover AquaCover steel black for Arena Aqua	9214 01	4029808523937

# Smoke pipe-Accessoires

Wood stoves



Smoke pipe with throttle valve



Pipe bend 45°



Smoke pipe steel black  
Smoke pipe steel grey



Pipe bend 0°-90° adjustable



Pipe bend 90°



Double wall lining



Rosette steel grey  
Rosette black

		Order number	EAN-Code
Smoke pipe with throttle valve, black	Length = 250 mm	9202 36	4029807771322
Smoke pipe with throttle valve, steel grey	Length = 250 mm	9202 37	4029807771339
Smoke pipe, black	Length = 150 mm	9202 72	4029807780683
Smoke pipe, steel grey	Length = 150 mm	9202 73	4029807780690
Smoke pipe, black	Length = 250 mm	9202 40	4029807771360
Smoke pipe, steel grey	Length = 250 mm	9202 41	4029807771377
Smoke pipe, black	Length = 500 mm	9202 44	4029807771407
Smoke pipe, steel grey	Length = 500 mm	9202 45	4029807771414
Smoke pipe, black	Length = 1000 mm	9202 48	4029807771445
Smoke pipe, steel grey	Length = 1000 mm	9202 49	4029807771452
Double wall lining		9202 52	4029807771483
Pipe socket		9200 69	4029807779991
Rosette, black	Width = 50 mm	9202 56	4029807771520
Rosette, steel grey	Width = 50 mm	9202 57	4029807771537
Pipe bend, black	0° – 90° adjustable	9202 64	4029807771605
Pipe bend, steel grey	0° – 90° adjustable	9202 65	4029807771612
Pipe bend, black	45°	9204 93	4029808438200
Pipe bend, steel grey	45°	9204 94	4029808438217
Pipe bend, black	90°	9204 95	4029808438224
Pipe bend, steel grey	90°	9204 96	4029808403307

Double wall pipe system on request





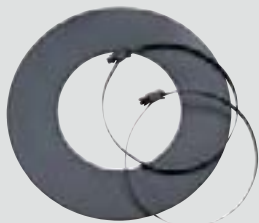
Flexible aluminium pipe



Wall duct for external combustion air connection



Duct for stove for external combustion air connection, incl. shut-off valve.



Rosette with clamps for flexible pipe connection



Connecting piece for external combustion air supply



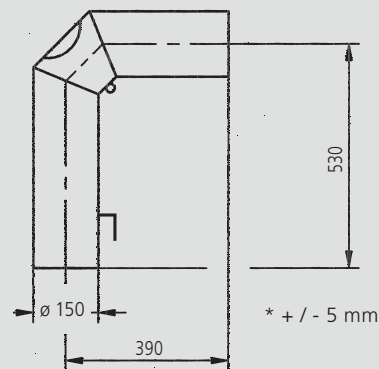
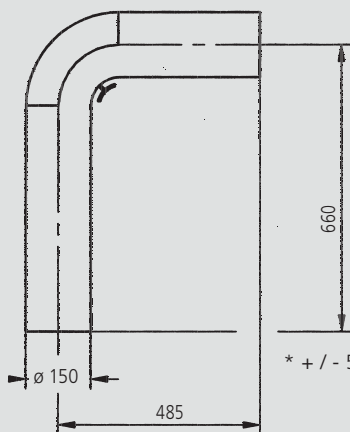
Pipe set pulled  
incl. throttle valve, double wall lining and rosette. In steel grey or black.



Pipe set standard  
incl. throttle valve, double wall lining and rosette. In steel grey or black.

Left pipe set with flat pullet pipe bend.

Right pipe set standard

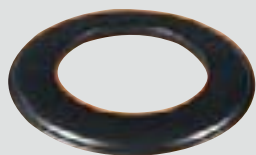


		Order number	EAN-Code
Pipe set* standard, black	150 mm	9200 92	4029807549969
Pipe set* standard, steel grey	150 mm	9200 93	4029807580078
Pipe set* pulled, black	150 mm	9200 94	4029807549952
Pipe set* pulled, steel grey	150 mm	9200 95	4029807648846
* incl. throttle valve, double wall lining and rosette.			
Wall duct (for external combustion air connection)		9213 01	4029808478527
Duct for stove (for external combustion air connection)		9213 02	4029808478534
Flexible aluminium pipe, black	60 -150 cm	9213 03	4029808478541
Flexible aluminium pipe, grey	60 -150 cm	9213 04	4029808478558
Rosette with clamps, black		9213 05	4029808478565
Rosette with clamps, grey		9213 06	4029808478572

Double wall pipe system on request

# Smoke pipe-Accessoires

Pellet stoves



Pellet-Rosette



Pellet-Connection tubes



Pellet pipe bow 90°



Pellet chimney connection



Sealing ring



Double wall lining



Pellet pipe stove connection



Pellet pipe bow 45°

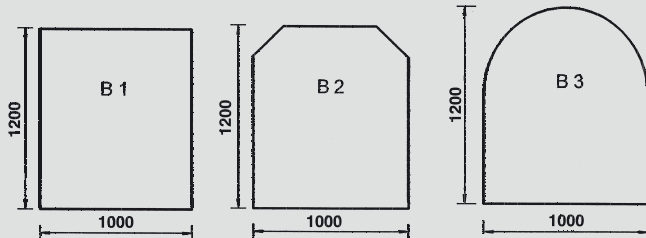


Pellet T piece

		Order number	EAN-Code
Pellet pipe with inspection opening black enamelled	Length = 250 mm	9207 76	4029808438255
Pellet pipe black enamelled	Length = 250 mm	9207 77	4029808438262
Pellet pipe black enamelled	Length = 500 mm	9207 78	4029808438279
Pellet pipe black enamelled	Length = 750 mm	9207 79	4029808438286
Pellet pipe black enamelled	Length = 1000 mm	9207 80	4029808438293
Pellet pipe bow black enamelled	45°	9207 81	4029808438309
Pellet pipe bow black enamelled	90°	9207 82	4029808438316
Pellet-Rosette black enamelled		9207 83	4029808438323
Double wall lining		9207 84	4029808438347
Sealing ring		9207 85	4029808438330
Pellet pipe stove connection black enamelled		9207 86	4029808438354
Pellet chimney connection black enamelled		9207 87	4029808438361
Pellet T piece black enamelled		9207 88	4029808438378

# Base plates

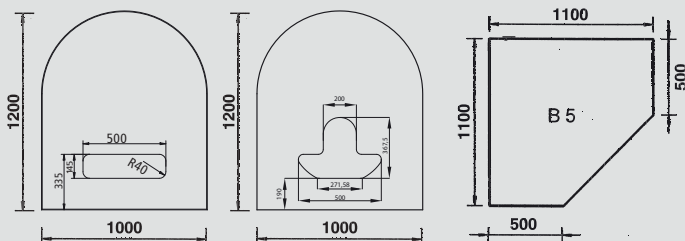
made of glass, or black and steel grey



**B1** Steel 2 mm  
**B1** Glass 6 mm

**B2** Steel 2 mm  
**B2** Glass 6 mm

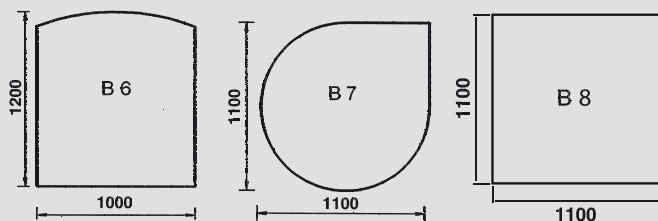
**B3** Steel 2 mm  
**B3** Glass 6 mm



**B3** Glass 6 mm  
with hole

**B3** Glass 6 mm for  
connection at the  
bottom

**B5** Steel 2 mm  
**B5** Glass 6 mm



**B6** Glass 6 mm

**B7** Glass 6 mm

**B8** Glass 6 mm



**B1**



**B2**



**B3**



**B5**



**B6**



**B7**



**B8**



Sealing lip

## Base plates steel

	Order number	EAN-Code
Rectangle B1, Steel 2 mm, black	9201 50	4029807549976
Rectangle B1, Steel 2 mm, steel grey	9201 54	4029807782588
Trapeze B2, Steel 2 mm, black	9201 51	4029807549990
Trapeze B2, Steel 2 mm, steel grey	9201 55	4029807782595
Round arch B3, Steel 2 mm, black	9201 52	4029807549587
Round arch B3, Steel 2 mm, steel grey	9201 56	4029807782601
Corner model B5, Steel 2 mm, black	9201 53	4029807549600
Corner model B5, Steel 2 mm, steel grey	9201 57	4029807782618

## Base plates clear glass

Rectangle B1, Glass 6 mm	9201 60	4029807549983
Trapeze B2, Glass 6 mm	9201 61	4029807549570
Round arch B3, Glass 6 mm	9201 62	4029807549594
Round arch B3, Glass 6 mm with hole	9201 99	4029808478886
Round arch B3, Glass 6 mm for connection at the bottom	9214 05	4029808524286
Corner model B5, Glass 6 mm	9201 64	4029807549617
Arch B6, Glass 6 mm	9201 65	4029807549624
Drop B7, Glass 6 mm	9201 66	4029807549631
Square B8, Glass 6 mm	9201 67	4029807551054
Sealing lip, sufficient for every glass base plate	9201 58	4029807799494



# Color variations

## Natural stones are genuinely unique

Stone is a natural product, created millions of years ago. It is composed of several textures, hardnesses and colors. Thus, each stone pattern is unique in its form as nature itself. Color differences, cloudiness, veins and shadows are essential characteristics that make each stone set an unique piece.

With these different densities and respective hardnesses, the surface of a stone can also be treated differently. The surface of harder rock gives a shiny finish, while the finish of softer stone is duller due to fine aggregate coming loose from the surface.

Whether soapstone, limestone or sandstone, the natural stones used for cladding ORANIER stoves are cut from different stone quarries. Nature ensures that no two stones are alike, making every variation a value in itself and emphasizes the special touch of each stove.

It is for this reason that the exact color and structure of the stones mapped out and shown in the models are a subject to change.

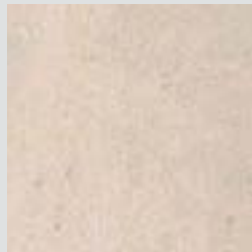
## Natural stone



Soapstone



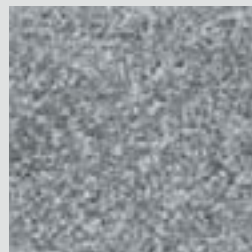
Sandstone



Limestone cream



Concrete slate



Natural stone Ruvina

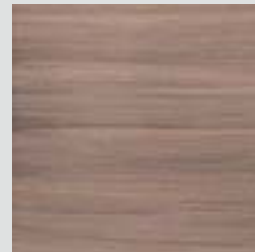
## Ceramic colors smooth



Ceramic tile Namib



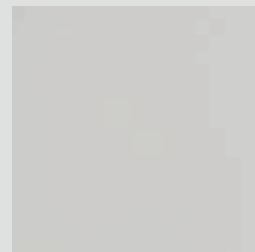
Ceramic tile Corretto



Ceramic tile Grappa



Ceramic tile Freddo



Ceramic tile Silk white

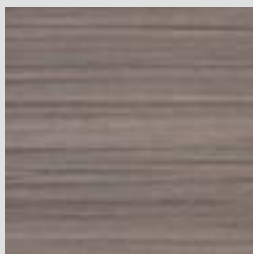
### Ceramic tile colors Lines



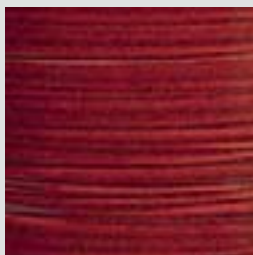
Ceramic tile Namib Lines



Ceramic tile Silk white Lines



Ceramic tile Grappa Lines



Ceramic tile Pepper red lines

- Each piece is unique
- High qualitative manufacturing by multiple wipe technique in manual work
- Large heat storage stone capacity due to a high amount of fireclay

### Cover plates



Cover plate steel black



Cover plate glass



Cover plate Soapstone



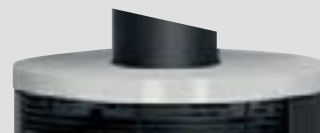
Cover plate Sandstone



Cover plate ceramic Apple



Cover plate ceramic Bordeaux red








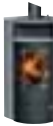
Cover plate ceramic Silk white



Cover plate ceramic Grappa

### Cover plates Rota / Rota Tre / Rota Top

Available designs	Order number	EAN-Code
Cover plate steel black	9214 03	4029808524088
Cover plate glass	9213 93	4029808510791
Cover plate Soapstone	9213 83	4029808509870
Cover plate Sandstone	9213 84	4029808509900
Cover plate ceramic Apple	9213 77	4029808509023
Cover plate ceramic Bordeaux red	9213 78	4029808509030
Cover plate ceramic Silk white	9213 79	4029808509054
Cover plate ceramic Grappa	9213 80	4029808509061







	Polar Neo 4	Polar Neo 6	Polar Neo 8	Polar Neo W+	Polar Neo Bakery	Polar Neo Eck
						
Page	12	14	16	18	20	22
Energy efficiency class	A	A	A+	A	A+	A
Tested according to DIN EN 13240	x	x	x	x	x	x
Tested according to DIN EN 13229	-	-	-	-	-	-
DIBT-certification	applied for	x	x	-	-	-
Construction type 1 for multiple connection to chimney	(x)	(x)	(x)	x	x	x
Single use chimney necessary	x	x	x	-	-	-
Connection possibility	top / rear	top / rear	top / rear	top / rear	top / rear	top
Independent of ambient air operation	rear / bottom	rear / bottom	rear / bottom	-	-	-
Operation with external air	-	-	-	rear / bottom	rear / bottom	rear le.+ri./bottom
Nominal heat output	kW 5,0	kW 6,5	kW 8,0	kW 8,0	kW 6,0	kW 6,5
Water-side performance	kW -	kW -	kW -	kW -	kW -	kW -
Height	mm 1095 <sup>1)</sup> / 1125 <sup>2)</sup>	mm 1220 <sup>1)</sup> / 1250 <sup>2)</sup>	mm 1320	mm 1323	mm 1291	mm 1223
Width	mm 520	mm 570	mm 600	mm 595	mm 570	mm 689
Depth	mm 380	mm 480	mm 510	mm 505	mm 480	mm 587
Side length	mm -	mm -	mm -	mm -	mm -	mm -
Weight (incl. packaging)	kg 110 <sup>1)</sup> / 171 <sup>2)</sup>	kg 141 <sup>1)</sup> / 196 <sup>2)</sup>	kg 144 <sup>1)</sup> / 203 <sup>2)</sup>	kg 210 <sup>1)</sup> / 254 <sup>2)</sup>	kg 156	kg 218 <sup>1)</sup> / 263 <sup>2)</sup>
Weight heat storage stone W+	ca. kg -	ca. kg -	ca. kg -	ca. kg 56	ca. kg -	ca. kg -
Room heating capability	m <sup>3</sup> 88	m <sup>3</sup> 131	m <sup>3</sup> 186	m <sup>3</sup> 186	m <sup>3</sup> 131	m <sup>3</sup> 131
Efficiency	% > 80	% > 80	% > 80	% > 80	% > 80	% > 80
Length of logs	cm 30	cm 33	cm 35	cm 35	cm 33	cm 30
Height up to lower edge pipe connection (rear)	mm 867	mm 955	mm 1060	mm 911	mm 1022	mm -
Height up to upper edge pipe connection (top)	mm 1120	mm 1215	mm 1315	mm 1315	mm 1300	mm 1203
Rear edge up to center of flue pipe (top)	mm 155	mm 180	mm 180	mm 178	mm 180	mm 285
Side length to center smoke pipe (top view)	mm -	mm -	mm -	mm -	mm -	mm 203
Permissible supply temperature	°C -	°C -	°C -	°C -	°C -	°C -
Permissible operating pressure	bar -	bar -	bar -	bar -	bar -	bar -
Ø Flue pipe connection / air connection	mm 150 / 100	mm 150 / 100	mm 150 / 100	mm 150 / 100	mm 150 / 100	mm 150 / 100
Data for chimney calculation according DIN EN 13384						
Exhaust gas mass flow	g / s 4,3	g / s 5,5	g / s 6,9	g / s 7,4	g / s 5,7	g / s 5,5
Exhaust gas temperature	°C 270	°C 270	°C 269	°C 257	°C 244	°C 270
Required discharge pressure	mbar 0,12	mbar 0,12	mbar 0,12	mbar 0,12	mbar 0,12	mbar 0,12
Safety Distances						
Lateral	mm 200	mm 200	mm 200	mm 200	mm 200	mm -
Rear	mm 200	mm 200	mm 200	mm 200	mm 200	mm 20
Front	mm 800	mm 800	mm 800	mm 800	mm 800	mm 800
Wood / brown coal briquettes	x	x	x	x	x	x

<sup>1)</sup> Steel  
<sup>2)</sup> Stone / Ceramic

<sup>1)</sup> Steel  
<sup>2)</sup> Stone / Ceramic

<sup>1)</sup> Steel  
<sup>2)</sup> Stone / Ceramic

<sup>1)</sup> Steel  
<sup>2)</sup> Stone / Ceramic

	Atrium 5	Arktis Neo 5	Arktis Neo 7	Pori 5	Pori 7	Rota
						
Page	36	38	40	42	44	46
Energy efficiency class	A+	A	A	A+	A+	A
Tested according to DIN EN 13240	x	x	x	x	x	x
Tested according to DIN EN 13229	-	-	-	-	-	-
DIBT-certification	-	-	-	-	-	-
Construction type 1 for multiple connection to chimney	x	x	x	x	x	x
Single use chimney necessary	-	-	-	-	-	-
Connection possibility	top / rear	top	top	top / rear	top / rear	top / rear
Independent of ambient air operation	-	-	-	-	-	-
Operation with external air	rear	rear / bottom	rear / bottom	rear	rear	rear
Nominal heat output	kW 5,0	kW 5,0	kW 7,0	kW 5,0	kW 6,5	kW 5,0
Water-side performance	kW -	kW -	kW -	kW -	kW -	kW -
Height	mm 1152	mm 1010	mm 1100	mm 1059 <sup>1)</sup> / 1089 <sup>2)</sup>	mm 1113 <sup>1)</sup> / 1146 <sup>2)</sup>	mm 967 <sup>1)</sup> / 985 <sup>2)</sup>
Width	mm 588	mm 520	mm 570	mm 523	mm 600	mm Ø 458
Depth	mm 468	mm 380	mm 480	mm 387	mm 480	mm Ø 458
Side length	mm -	mm -	mm -	mm -	mm -	mm -
Weight (incl. packaging)	kg 141	kg 113 <sup>1)</sup> / 137 <sup>2)</sup>	kg 130 <sup>1)</sup> / 180 <sup>2)</sup>	kg 95 <sup>1)</sup> / 155 <sup>2)</sup>	kg 120 <sup>1)</sup> / 175 <sup>2)</sup>	kg 120 <sup>1)</sup> / 130 <sup>2)</sup>
Weight heat storage stone W+	ca. kg -	ca. kg -	ca. kg -	ca. kg -	ca. kg -	ca. kg -
Room heating capability	m <sup>3</sup> 88	m <sup>3</sup> 88	m <sup>3</sup> 131	m <sup>3</sup> 88	m <sup>3</sup> 131	m <sup>3</sup> 88
Efficiency	% > 82	% > 80	% > 80	% > 80	% > 80	% > 80
Length of logs	cm 30	cm 25	cm 33	cm 25	cm 33	cm 30
Height up to lower edge pipe connection (rear)	mm 872	mm -	mm -	mm 840	mm 895	mm 759
Height up to upper edge pipe connection (top)	mm 1130	mm 995	mm 1085	mm 1073	mm 1129	mm 980
Rear edge up to center of flue pipe (top)	mm 207	mm 155	mm 180	mm 130	mm 161	mm 231
Side length to center smoke pipe (top view)	mm -	mm -	mm -	mm -	mm -	mm -
Permissible supply temperature	°C -	°C -	°C -	°C -	°C -	°C -
Permissible operating pressure	bar -	bar -	bar -	bar -	bar -	bar -
Ø Flue pipe connection / air connection	mm 150 / 100	mm 150 / 100	mm 150 / 100	mm 150 / 100	mm 150 / 100	mm 150 / 100
Data for chimney calculation according DIN EN 13384						
Exhaust gas mass flow	g / s 6,9	g / s 4,5	g / s 6,2	g / s 6,5	g / s 7,2	g / s 4,6
Exhaust gas temperature	°C 229	°C 267	°C 274	°C 266	°C 256	°C 254
Required discharge pressure	mbar 0,12	mbar 0,12	mbar 0,12	mbar 0,11	mbar 0,12	mbar 0,12
Safety Distances						
Lateral	mm 800	mm 200	mm 200	mm 200	mm 300	mm 200
Rear	mm 200	mm 200	mm 200	mm 200	mm 200	mm 200
Front	mm 800	mm 800	mm 800	mm 800	mm 800	mm 800
Wood / brown coal briquettes	x	x	x	x	x	x

<sup>1)</sup> Steel  
<sup>2)</sup> Stone







<sup>1)</sup> Steel  
<sup>2)</sup> Stone

<sup>1)</sup> Steel  
<sup>2)</sup> Stone / Ceramic

<sup>1)</sup> Glass  
<sup>2)</sup> Stone / Ceramic



Wood stoves





	Arena	Arena W+	Dio 150 / 150 W+	Corso	Arkona W+	Arko
						
Page	24	26	28	30	32	34
Energy efficiency class	A	A	A	A	A	A
Tested according to DIN EN 13240	x	x	x	x	x	x
Tested according to DIN EN 13229	-	-	-	-	-	-
DIBT-certification	Z-43.12.-400	Z-43.12.-400	-	-	-	-
Construction type 1 for multiple connection to chimney	-	-	x	x	x	x
Single use chimney necessary	x	x	-	-	-	-
Connection possibility	top / rear	top / rear	top / rear	top / rear	top / rear	top / rear
Independent of ambient air operation	rear / bottom	rear / bottom	-	-	-	-
Operation with external air	-	-	rear / bottom	rear / bottom	rear / bottom	rear / bottom
Nominal heat output	6,0	7,0	6,0	6,0	7,0	6,0
Water-side performance	-	-	-	-	-	-
Height	1227 <sup>1)</sup> / 1262 <sup>2)</sup>	1465 <sup>1)</sup> / 1500 <sup>2)</sup>	1504	1214 <sup>1)</sup> / 1262 <sup>2)</sup>	1583 <sup>1)</sup> / 1500 <sup>2)+3)</sup>	1324
Width	Ø 520	Ø 520	Ø 456	Ø 520	Ø 515 <sup>1)</sup> / Ø 505 <sup>2)+3)</sup>	520
Depth	Ø 520	Ø 520	Ø 456	Ø 520	Ø 515 <sup>1)</sup> / Ø 505 <sup>2)+3)</sup>	450
Side length	-	-	-	-	-	-
Weight (incl. packaging)	150 <sup>1)</sup> / 167 <sup>2)</sup>	230 <sup>1)</sup> / 256 <sup>2)</sup>	183 <sup>1)</sup> / 233 <sup>2)</sup>	152 <sup>1)</sup> / 207 <sup>2)</sup>	240 <sup>1)</sup> / 268 <sup>2)</sup> / 345 <sup>3)</sup>	450
Weight heat storage stone W+	-	90	- / 50	-	90 <sup>1)</sup> / 45 <sup>2)</sup> / 45 <sup>3)</sup>	-
Room heating capability	124	144	124	144	144	124
Efficiency	> 80	> 80	> 80	> 80	> 80	> 80
Length of logs	33	33	25	33	25	30
Height up to lower edge pipe connection (rear)	1012	1207	1311	1012	1331 <sup>1)</sup> / 1263 <sup>2)+3)</sup>	1032
Height up to upper edge pipe connection (top)	1235	1440	1285	1245	1240	1240
Rear edge up to center of flue pipe (top)	260	260	233	260	257 <sup>1)</sup> / 235 <sup>2)+3)</sup>	175
Side length to center smoke pipe (top view)	-	-	-	-	-	-
Permissible supply temperature	-	-	-	-	-	-
Permissible operating pressure	-	-	-	-	-	-
Ø Flue pipe connection / air connection	150 / 100	150 / 100	150 / 100	150 / 100	150 / 100	150 / 100
Data for chimney calculation according DIN EN 13384						
Exhaust gas mass flow	7,9	7,9	6,7	7,4	7,0	6,6
Exhaust gas temperature	327	327	237	301	244	272
Required discharge pressure	0,12	0,12	0,12	0,12	0,12	0,12
Safety Distances						
Lateral	400	400	200	200	200	200
Rear	200	200	200	200	200	-
Front	1100	1100	800	800	800	800
Wood / brown coal briquettes	x	x	x	x	x	x

<sup>1)</sup> Steel / Glass  
<sup>2)</sup> Stone

<sup>1)</sup> Steel / Glass  
<sup>2)</sup> Stone

<sup>1)</sup> Steel <sup>2)</sup> Ceramic  
<sup>3)</sup> Stone

Wood stoves

	Rota Top	Rota Tre	Hera R	Corner
				
Page	48	50	52	54
Energy efficiency class	A	A	A	A+
Tested according to DIN EN 13240	x	x	x	x
Tested according to DIN EN 13229	-	-	-	-
DIBT-certification	-	-	Z 43.12-324	-
Construction type 1 for multiple connection to chimney	x	x	-	x
Single use chimney necessary	-	-	x	-
Connection possibility	top / rear	top / rear	top / rear	top
Independent of ambient air operation	-	-	rear	-
Operation with external air	rear	rear	-	rear
Nominal heat output	5,0	5,0	6,0	7,0
Water-side performance	-	-	-	-
Height	985	989 <sup>1)</sup> / 1007 <sup>2)</sup>	1100 <sup>1)</sup> / 1152 <sup>2)</sup>	1125
Width	Ø 458	Ø 458	500 <sup>1)</sup> / 555 <sup>2)</sup>	685
Depth	Ø 458	Ø 458	400	685
Side length	-	-	-	485
Weight (incl. packaging)	120 <sup>1)</sup> / 130 <sup>2)</sup>	120 <sup>1)</sup> / 130 <sup>2)</sup>	135 <sup>1)</sup> / 210 <sup>2)</sup>	144
Weight heat storage stone W+	-	-	-	-
Room heating capability	88	88	124	144
Efficiency	> 80	> 80	> 80	> 80
Length of logs	30	30	33	33
Height up to lower edge pipe connection (rear)	759	706	865	-
Height up to upper edge pipe connection (top)	980	995	1105	1100
Rear edge up to center of flue pipe (top)	231	229	130	-
Side length to center smoke pipe (top view)	-	-	-	148
Permissible supply temperature	-	-	-	-
Permissible operating pressure	-	-	-	-
Ø Flue pipe connection / air connection	150 / 100	150 / 100	150 / 100	150 / 100
Data for chimney calculation according DIN EN 13384				
Exhaust gas mass flow	4,6	4,5	6,0	8,5
Exhaust gas temperature	254	255	280	266
Required discharge pressure	0,12	0,12	0,12	0,12
Safety Distances				
Lateral	200	800	300	800
Rear	200	200	250	200
Front	800	800	1000	800
Wood / brown coal briquettes	x	x	x	x





<sup>1)</sup> Glass  
<sup>2)</sup> Stone / Ceramic

<sup>1)</sup> Glass  
<sup>2)</sup> Stone / Ceramic

<sup>1)</sup> Steel  
<sup>2)</sup> Stone



**Wood stoves  
with boiler function** ≈





	Polar Neo Aqua	Arena Aqua	Pori Aqua	Belt Aqua
				
Page	58	60	62	64
Energy efficiency class	A+	A+	A+	A+
Tested according to DIN EN 13240	x	x	x	x
Tested according to DIN EN 13229	-	-	-	-
DIBT-certification	-	Z 43.11-408	-	-
Construction type 1 for multiple connection to chimney	(x)	-	x	x
Single use chimney necessary	x	x	-	-
Connection possibility	top	top	top / rear	top
Independent of ambient air operation	rear / bottom	rear / bottom	-	-
Operation with external air	-	-	rear	rear
Nominal heat output	kW 10,0	8,5	10,0	10,0
Water-side performance	kW 6,0	4,2	5,0	6,0
Height	mm 1320	1465 <sup>1)</sup> / 1500 <sup>2)</sup>	1108 <sup>1)</sup> / 1146 <sup>2)</sup>	1234
Width	mm 595	Ø 520	600	564
Depth	mm 505	Ø 520	477	563
Side length	mm -	-	-	-
Weight (incl. packaging)	kg 210 <sup>1)</sup> / 250 <sup>2)</sup>	208 <sup>1)</sup> / 258 <sup>2)</sup>	148 <sup>1)</sup> / 202 <sup>2)</sup>	220
Weight heat storage stone W+	ca. kg -	-	-	-
Room heating capability	m <sup>3</sup> 200	200	240	240
Efficiency	% > 80	> 81	> 83	> 81
Length of logs	cm 35	33	33	36
Height up to lower edge pipe connection (rear)	mm -	-	897	-
Height up to upper edge pipe connection (top)	mm 1305	1490	1115	1235
Rear edge up to center of flue pipe (top)	mm 178	255	161	200
Side length to center smoke pipe (top view)	mm -	-	-	-
Permissible supply temperature	°C 95	95	95	95
Permissible operating pressure	bar 3,0	3,0	3,0	3,0
Ø Flue pipe connection / air connection	mm 150 / 100	150 / 100	150 / 100	150 / 100
Data for chimney calculation according DIN EN 13384				
Exhaust gas mass flow	g / s 8,1	8,9	8,8	10,8
Exhaust gas temperature	°C 227	271	254	217
Required discharge pressure	mbar 0,12	0,14	0,12	0,12
Safety Distances				
Lateral	mm 200	250	200	200
Rear	mm 200	200	200	200
Front	mm 800	800	800	800
Wood / brown coal briquettes	x	x	x	x

<sup>1)</sup> Steel  
<sup>2)</sup> Stone / Ceramic

<sup>1)</sup> Steel / Glass  
<sup>2)</sup> Stone

<sup>1)</sup> Steel  
<sup>2)</sup> Stone





**Pellet stoves &  
Pellet stove with boiler function** ≈

	Carus	Carus Aqua	Zephyr	Zephyr Aqua
				
Page	78	78	80	80
Energy efficiency class	A++	A++	A+	A+
Tested according to DIN 18894, EN 14785 and § 15a	x	x	x	x
Connection possibility	rear	rear	rear	rear
DIBT-certification	applied for	applied for	applied for	applied for
Operation with external air	-	-	rear	rear
Independent of ambient air operation	rear	rear	-	-
Nominal heat output	kW 2,5 - 6,0	3,0-10,0	2,5 - 6,0	2,5-6,0
Water-side performance	kW -	6,5	-	7,0
Height	mm 1185	1185	1026	1026
Width	mm Ø 510	Ø 510	510	510
Depth	mm Ø 510	Ø 510	526	526
Weight (incl. packaging)	kg 158 <sup>1)</sup> / 197 <sup>2)</sup>	167 <sup>1)</sup> / 206 <sup>2)</sup>	157	165
Room heating capability	m <sup>3</sup> bis 210	bis 350	bis 210	bis 350
Ø Smoke pipe connection	mm 100	100	100	100
Fuel content	kg 32	32	35	35
Combustion time max.	h 55	48	60	52
Efficiency acc. to certificate of inspection	% > 91	> 91	> 88	> 90
Power connection	V 230	230	230	230
Power consumption	W 14-18	14-18	14-18	14-18
Electric ignition	x	x	x	x
Boiler thermostat	-	x	-	x
Time switch function with external release	x	x	x	x
Remote control	optional	optional	-	-
Smartphone control via GSM-module	optional	optional	optional	optional
Connection for inlet / outlet	*AG -	3 / 4	-	3 / 4
STB	built-in	built-in	built-in	built-in
Safety Distances				
Lateral	mm 150	150	150	150
Rear	mm 100	100	100	100
Front	mm 800	800	800	800

<sup>1)</sup> Steel  
<sup>2)</sup> Stone

<sup>1)</sup> Steel  
<sup>2)</sup> Stone

## Wood stove sets

	Club (W+)	Club Tre	Quadrum (W+)	Lineus (W+)
				
Page	68	70	72	74
Energy efficiency class	A+	A	A	A
Tested according to DIN EN 13240	x	x	x	x
Tested according to DIN EN 13229	–	–	–	–
DIBT-certification	–	–	–	–
Construction type 1 for multiple connection to chimney	x	x	x	x
Single use chimney necessary	–	–	–	–
Connection possibility	top / rear	top / rear	top / rear	top / rear
Independent of ambient air operation	–	–	–	–
Operation with external air	rear / bottom	rear / bottom	rear / bottom	rear / bottom
Nominal heat output	kW 7,0	7,0	7,0	7,0
Water-side performance	kW –	–	–	–
Height	mm 1700	1700	1700	1802
Width	mm 764	852	1375	950
Depth	mm 782	782	815	675
Side length	mm –	–	–	–
Weight (incl. packaging)	kg 405	300	509	220
Weight heat storage stone W+	ca. kg 160	–	160	160
Room heating capability	m <sup>3</sup> 144	144	144	144
Efficiency	% > 80	> 80	> 80	> 82
Length of logs	cm 33	40	40	33
Height up to lower edge pipe connection (rear)	mm 1418	1399	1277	1357
Height up to upper edge pipe connection (top)	mm 1113	1183	1088	1285
Rear edge up to center of flue pipe (top)	mm 332	332	326	261
Side length to center smoke pipe (top view)	mm 310	–	–	–
Permissible supply temperature	°C –	–	310	–
Permissible operating pressure	bar –	–	–	–
Ø Flue pipe connection / air connection	mm 150 / 100	150 / 100	150 / 100	150 / 100
Data for chimney calculation according DIN EN 13384				
Exhaust gas mass flow	g / s 8,5	7,8	9,2	7,0
Exhaust gas temperature	°C 241	234	208	268
Required discharge pressure	mbar 0,12	0,12	0,12	0,12
Safety Distances				
Lateral	mm 800	800	800	200
Rear	mm –	–	5	10
Front	mm 800	800	800	800
Wood / brown coal briquettes	x	x	x	x
	Heat saving stone W+ (optional)		Heat saving stone W+ (optional)	Heat saving stone W+ (optional)



## Customer service request

ORANIER Heiztechnik GmbH  
Oranier Str. 1  
D-35708 Haiger  
Telefon +49 (0) 2771 2630 - 160  
Telefax +49 (0) 2771 2630 - 349  
E-Mail customerservice@oranier.com  
www.oranier-stoves.com

Please fill in the following blanks for quick and easy processing

Client / Mrs / Mr / Company* _____	Date _____
_____	Cust.no. _____
Street _____	Reachable by phone* _____
Zip code / city _____	Private _____
_____	Business _____
Distributor / company* _____	Mobile _____
Contact partner _____	E-Mail _____
Installer _____	Preferred date _____

Invoice - / order number of device\* \_\_\_\_\_

Device type _____	Article / device no.* _____
Fabrication no. _____	Series no. _____
Series no. _____	_____
Design and color _____	_____
Purchase date* _____	Gas type _____

Short explanation of the problem\* \_\_\_\_\_

\_\_\_\_\_

\_\_\_\_\_

\_\_\_\_\_

\_\_\_\_\_

Completion note to distributor  yes  no

### Processing note ORANIER:

\*essential for processing of customer service request

# General Terms and Conditions of ORANIER Heiztechnik GmbH and of ORANIER Küchentechnik GmbH

## 1. General

To the extent that no other written agreement is made, sale, delivery, and payment shall be governed exclusively by these General Terms and Conditions. These General Terms and Conditions shall govern the entire business relationship entered into with Buyer, even if no specific reference is made to these Terms and Conditions in subsequent business dealings. They shall apply even if Buyer in its order or in a letter of confirmation makes reference to other terms and conditions, unless we have expressly agreed to such terms and conditions in writing. Deviating terms and conditions of purchase of Buyer are hereby expressly rejected. Conflicting terms and conditions of purchase of Buyer shall not be binding upon us even if we do not expressly reject them once more upon signing the contract. Our General Terms and Conditions are deemed accepted upon acceptance of our goods at the latest. Goods purchased for use within the domestic market (domestic customs territory) may not be exported, and goods purchased for the foreign market may not be used in the domestic market.

## 2. Offer and order

- Any weights and dimensions given in offers, sample books, or in other printed matter shall be non-binding. Any offers shall always be subject to change without notice. Any orders will only be deemed accepted after they have been confirmed by us, irrespective of whether they have been placed with us directly by Buyer or by a representative. Order confirmations shall be binding even if submitted unsigned.
- Calculations shall always be on the basis of our prices, discounts, and conditions as applicable on the date of delivery.
- We reserve ownership of as well as intellectual property rights in any cost estimates, preliminary designs, drawings, and the like. Such documents may not be made accessible to third parties without our written permission.

## 3. Obligation to deliver and obligation to accept delivery

- Delivery times agreed shall always be conditional on the correct and timely availability of supplies and raw materials. Our delivery times are approximate and non-binding. Delivery periods shall commence once all details regarding execution have been clarified. The delivery date shall be the shipment date. If shipment is delayed through no fault of our own, then the date of notification that the goods are ready for shipment is deemed the delivery date. Even if a fixed delivery date has been agreed, we shall only be in default if a written reminder is submitted to us. Partial deliveries shall be permissible. If the delivery time is exceeded, Buyer shall be entitled to claim damages only after a reasonable grace period granted to us has expired without success. Such claims for damages shall be limited to 0.5 per cent for each full week of the delay, in total, however, to no more than 5 per cent of the value of that part of the overall delivery which cannot be used in a timely manner or in accordance with the contract on account of the delay. Unlimited damages may only be claimed in case of wilful misconduct or gross negligence on our part.
- If disruptions in operations at our or our sub-suppliers' premises, or events of force majeure, strikes, or other circumstances for which we are not responsible prevent a timely delivery, the delivery period shall be reasonably extended. If on account of such events or circumstances delivery becomes impossible, our obligation to deliver shall no longer apply, and claims for damages shall be excluded. If Buyer proves that due to the delay a subsequent performance is of no interest to it, Buyer may rescind the contract to the exclusion of further claims. If we are in default of delivery, Buyer may grant a reasonable grace period and rescind the contract once such grace period has expired without success. For call orders with no specific delivery date we may demand a binding delivery date at the latest within 3 months of receipt of the order confirmation. If Buyer fails to comply with such demand within 3 weeks, we shall have the right to grant a grace period of 2 weeks, and to rescind the contract or deny delivery and claim damages upon expiry of such grace period.
- If technical acceptance testing under special conditions has been agreed upon, Buyer shall, upon receipt of our notification that the goods are ready for acceptance, perform such acceptance testing at our premises without delay and at its own expense. If acceptance testing is not performed despite a reasonable grace period having been granted, we shall have the right to ship the goods or to store them at Buyer's cost and risk. The goods will then be deemed accepted.

## 4. Shipment and passing of risk

In the absence of instructions to the contrary, we shall name the forwarding agent or the carrier. Shipping costs shall be borne by Buyer. Risk, including risk of attachment, passes to Buyer at the time the goods are handed over to the forwarding agent or the carrier, or, at the latest, when the goods leave our premises, even if free delivery has been agreed. If shipment is delayed for reasons for which Buyer is responsible, costs arising from the storage of the goods, at least, however, 0.7 per cent of the invoice amount per month shall be charged, beginning one month from the date of our notification that the goods are ready for shipment. This shall not affect the right to assert further claims arising from delayed acceptance. If for reasons for which Buyer is responsible shipment is delayed, risk shall pass to Buyer on the date on which the goods are placed at the disposal of Buyer. If for reasons for which we are not responsible shipment by the designated route/the designated means or to the designated place within the designated time period is not possible, we shall be entitled to make shipment by a different route/different means or to a different place; any additional costs resulting therefrom shall be borne by Buyer, who will be given the opportunity to comment beforehand. Minimum order value for free delivery: EUR 100.00 net. Transport insurance in the amount of EUR 4.90 per equipment delivery/per delivered item shall be charged.

## 5. Material defects

- With regard to material defects, we shall be liable as follows:
- All components or services where a material defect becomes apparent within the statutory period of limitation shall be repaired, replaced, or provided again free of charge, as we see fit, irrespective of the duration of operation, provided that the reason for the defect was already present at the time of the passing of risk.
  - Claims for material defects shall become time-barred after a period of two years. This provision shall not apply to the extent that the law pursuant to Sections 438 para. 1 No. 2 ("Bauwerke und Sachen für Bauwerke" (Buildings And Items For Buildings)), 479 para 1 ("Rückgriffsanspruch" (Right to Recourse)) and 634a para. 1 No. 2 ("Baumängel" (construction defects)) of the (German) "BGB" (Civil Code) stipulates longer time periods, as well as in cases of death, injury to body or health, or in case of intentional or grossly negligent breach of duty, and whenever a defect is fraudulently concealed. The statutory provisions governing the suspension of the expiration, tolling, and recommencement of the statute of limitations shall remain unaffected.
  - Buyer shall notify us of any defects in writing without delay.
  - If a notification of defect is submitted, payments may be withheld in an amount reasonably proportionate to the material defect found. Buyer may only withhold payments if the notification of defect is submitted to us in writing in good time and is justified beyond doubt. In the event of an unjustified notification of defect, we shall

be entitled to demand reimbursement from Buyer of any expenses incurred by us.

- We shall first be granted the opportunity of subsequent performance within an adequate period of time with staff from our own customer service organisation.
- If subsequent performance fails, Buyer may, without prejudice to any claims for damages as stipulated under Item 7, rescind the contract or reduce the consideration.
- No defect claims shall exist where only an immaterial deviation from the agreed quality is present, where the impairment of use is immaterial, where there is normal wear and tear, or for defects which have occurred after the passing of risk as a consequence of faulty or negligent handling, excessive use, unsuitable operating materials, or defective construction work, or for defects which are the result of special external factors not accounted for in the contract, as well as in the event of non-reproducible software faults. If Buyer or a third party makes inexpert changes or repairs, no defect claims shall exist for such changes or repairs or for the consequences thereof.
- Claims for compensation on the part of Buyer for expenses incurred for the purpose of subsequent performance, including without limitation costs for transportation, travel, work, or materials, shall be excluded to the extent that such expenses increase because the delivered equipment has subsequently been moved to a place other than Buyer's premises, unless moving the equipment was in keeping with its intended use.
- Buyer's right of recourse against us pursuant to Sec. 478 of the (German) Civil Code (Recourse of the Company) shall only exist to the extent that Buyer has not entered into an agreement with its customer which goes beyond the statutory defect claims. With regard to the scope of Buyer's right to recourse against us under Sec. 478 para. 2 of the (German) Civil Code, Item 7 hereinbelow shall also apply accordingly.
- In other respects, Item 7 (Other claims for damages) shall apply to claims for compensation. Further claims or claims other than those dealt with in this Item, made against us or our "Erfüllungsgehilfen" (i.e., persons employed by us to perform our obligations) by Buyer on the basis of a material defect, shall be excluded.

## 6. Industrial property rights, copyrights; Defects in title

- Unless agreed otherwise, our obligation to effect delivery free from third-party industrial property rights and copyrights (hereinafter Intellectual Property Rights, IPRs) shall be limited to the country of the designated place of delivery. Should a third party raise justified claims against Buyer for infringement of IPRs through deliveries made by us and used in accordance with the contract, we shall be liable vis-à-vis Buyer within the period defined in Item 5 as follows:
  - We shall, at our option and at our cost, either obtain a right of use for the deliveries in question, amend such deliveries so as not to infringe the IPR, or replace them. Where this is not reasonably possible, Buyer may avail itself of its statutory right to rescind the contract or reduce the consideration.
  - Our obligation to pay damages shall be governed by the provisions of Item 7.
  - Our aforementioned obligations apply subject to Buyer informing us of any claims raised by third parties in writing without delay; an act of infringement shall not have been conceded, and any measures of defence and settlement negotiations shall be left to us. If Buyer ceases to use our delivery for reasons of mitigation of damages or for other important reasons, Buyer shall be obligated to point out to the third party that this does not constitute a concession of an IPR infringement.
  - Claims on the part of Buyer shall be excluded to the extent that it is itself responsible for the IPR infringement.
  - Claims on the part of Buyer are also excluded to the extent that the IPR infringement is caused by Buyer's own specific requirements, or by a use not foreseeable to us, or by Buyer making changes to the delivery or using it in combination with products not supplied by us.
  - In other respects, Buyer's claims provided for in Sub-item aa) shall be governed accordingly by the provisions of Item 5 in the event of an IPR infringement.
  - Where other defects in title are present, the provisions of Item 5 shall apply accordingly.
  - Further claims or claims other than those dealt with in this Item, made against us or our "Erfüllungsgehilfen" by Buyer on the basis of a defect in title, shall be excluded.

## 7. Impossibility and other claims for damages

- To the extent that delivery is impossible, Buyer shall be entitled to claim damages, except where we are not responsible for the impossibility. However, damages shall be limited to 10 per cent of the value of that part of the delivery which cannot be put to its intended use on account of the impossibility. Such limitation of liability shall not apply where it is prohibited by law in cases of wilful intent or gross negligence or in cases of death or injury to body or health; this shall not entail a change in the burden of proof to the detriment of Buyer. Buyer's right to rescind the contract remains unaffected.
- Damage claims and claims for compensation of expenses (hereinafter Claims for Compensation) on the part of Buyer, including but not limited to claims on account of breach of obligations under the contract or tort, shall be excluded, regardless of the legal basis on which they are raised.
- This shall not apply where a statutory liability exists, e.g., under product liability law, in cases of wilful intent or gross negligence or in cases of death, injury to body or health, or in cases of breach of material obligations under the contract. Claims for Compensation for breach of material obligations under the contract shall, however, be limited to foreseeable damage typical of the type of contract, except in cases of wilful intent or gross negligence, or in cases of death or injury to body or health, where a limitation of liability is prohibited by law. The above provisions shall not entail a change in the burden of proof to the detriment of Buyer.
- Any Claims for Compensation Buyer may have under this provision shall become time-barred upon expiry of the period of limitation applicable to claims for material defects as per Item 5. With regard to Claims for Compensation under product liability law, the statutory periods of limitation shall apply.

## 8. Terms of payment

- Our invoices shall be payable in cash, without any deductions, within 30 days of the date on which they were issued.
- The discount rate for early payment in cash can be seen from the offer and/or from the invoice.
- The acceptance of accepted bills of exchange (drafts) shall be subject to our specific agreement. If payment is made by means of drafts, or if partial payments have been agreed, no discount will be granted. Bills of exchange, cheques, and agreements for partial payment will be accepted, but Buyer's debt will not be cleared until actual receipt of the funds. Drafts must be domiciled at a Landeszentralbank. In all of the above cases, discount charges, bill charges, and costs shall be borne by Buyer.
- If Buyer is in default of payment, we shall charge default interest in an amount of 8 per cent above the base rate of the European Central Bank. We reserve the right to assert further claims for damages.

- If we receive information to the effect that Buyer's financial situation is unsatisfactory, or if Buyer is in default of payment, we shall have the right to amend our conditions of payment for orders yet to be executed, or to rescind the purchase contract.
- The contractor reserves the right to send invoices by mail or electronically by e-mail.

## 9. Retention of title

- The supplied goods shall remain our property until payment is received in full.
- All supplied goods remain our property (Goods Subject to Retention of Title) until all claims have been satisfied, including without limitation any balance claims we may still have under the business relationship. This applies also to claims which may arise in the future as well as to conditional claims, e.g., under accepted bills of exchange, and also when payment is made for specifically designated claims.
  - Our claims shall be incorporated into current accounts. Payments will always be offset against the oldest liabilities, even the debtor issues instructions to the contrary.
  - Goods Subject to Retention of Title may not be pledged or assigned by way of security. Buyer shall inform us without delay if the goods supplied by us become the subject of a compulsory enforcement procedure.
  - Buyer shall, at its own cost, obtain sufficient insurance cover for the supplied goods, in our favour, and in a way that will entitle us to collect the amount owed directly from the insurance carrier any time, or Buyer shall, at our request, assign the insurance claim to us.
  - Any treatment and processing of the Goods Subject to Retention of Title is deemed made for us as the manufacturer within the meaning of Sec. 950 of the (German) Civil Code and shall not entail liability on our part. The goods thus treated and processed are deemed Goods Subject to Retention of Title within the meaning of Item 10 a). Where Goods Subject to Retention of Title are processed or connected to or merged with other goods by Buyer, we shall obtain co-ownership in the new item proportionately to the invoice value of the Goods Subject to Retention of Title in relation to the invoice value of the other goods used. If our ownership ceases on account of the Goods Subject to Retention of Title being connected or merged, Buyer herewith assigns to us, with immediate effect, its ownership rights in the new product or item in an amount equivalent to the invoice value of the Goods Subject to Retention of Title and agrees to hold them for us free of charge. Our co-ownership rights are deemed Goods Subject to Retention of Title within the meaning of Item 10 f). Buyer shall have the right to re-sell the goods supplied within the scope of its normal business dealings; however, where a credit has been granted, Buyer shall retain title to the goods for our benefit and enter into a written agreement to that effect.
  - If Buyer re-sells the goods supplied by us – irrespective of their condition – then Buyer shall, upon entering into the contract, assign to us all claims to payment and return of the goods sold subject to retention of title to which it is entitled under the re-sale along with any ancillary rights, until our own claims arising from the supply of the goods have been satisfied in full. Buyer shall, at our request, submit to us at the end of each month a detailed inventory of the assigned claims, and hold for us in trust, separate from its other revenues, any monies received including bills of exchange and cheques from assigned claims, and make payment thereof to a special account for our free disposal. Expenses in connection with the collection of assigned claims shall be charged to Buyer.
  - If Buyer uses our goods to perform a work contract or a work performance contract, Buyer herewith assigns to us, with immediate effect, any claims under such contract in a scope equal to the scope of the claims arising from a re-sale.
  - If Buyer is in default of payment, we shall have the right to recover the goods. This shall not affect the right to claim performance of the purchase contract.
  - If the value of the collateral provided to us exceeds the value of the claims to be secured by more than 10 per cent, we shall be obligated to release the aforementioned collateral to that extent upon Buyer's request, as we see fit.

## 10. Moulds and tools

- To the extent that Buyer provides such items, they shall be submitted free of charge. They are deemed stored at Buyer's risk, and we are under no obligation to obtain insurance cover for them. We are entitled to adapt moulds and tools which have been submitted to us to the extent that this seems necessary for technical reasons or in order to minimize risks, without prejudice to Buyer's liability to submit only tools which are properly designed and manufactured for their intended use. Buyer shall bear any costs for maintenance, amendments, and replacements. We shall have the right to return to Buyer any time any moulds and tools which are not required. If we are unable to return such items and if Buyer fails to comply with our request to collect them, or if more than 3 years have elapsed since such items were last used, we shall have the right to destroy such moulds and tools. Any and all costs arising in connection with such items shall be borne by Buyer.
- Moulds and tools made or acquired by us for the purpose of executing Buyer's orders shall remain our property even if proportionate costs are charged to Buyer. Buyer may assert its copyright claims or industrial property right in such items vis-à-vis us only to the extent that it has pointed out to us that such claims exist and insofar as such rights have been expressly reserved. To the extent that Buyer provides drawings or other information for the moulds and tools to be manufactured or acquired by us, it shall be responsible for providing only documentation which is adequate for its intended use.

## 11. Severability

If any provision of these Terms and Conditions is found invalid or unenforceable this will not affect the validity of these Terms and Conditions as a whole. In that event, the parties hereto undertake to make every effort to replace the invalid provision by a valid, enforceable provision that will accomplish the purpose for which the parties intended it.

## 12. Place of performance, place of jurisdiction

The place of performance for deliveries shall be our factory, the place of performance for payments shall be Haiger. Any and all legal relations between ourselves and Buyer shall be governed by German law along with the United Nations Convention on Contracts for the International Sale of Goods (CISG) to the extent that it applies to our business relationship with Buyer. Any and all disputes, including but not limited to summary proceedings on bills of exchange or cheques, shall be settled by the competent court in Haiger having subject-matter jurisdiction, provided that Buyer is a "Vollkaufmann", i.e. a merchant subject to registration as defined in the German Commercial Code, a legal entity under public law, or a public special funds entity. We shall, however, also have the right to bring legal action at the competent court at Buyer's principal place of business.

Status as of 06/2016

# ORANIER

## Heiztechnik

ORANIER Heiztechnik GmbH  
Oranier Str. 1  
D-35708 Haiger  
Telefon +49 (0) 27 71 2630 - 160  
Telefax +49 (0) 27 71 2630 - 349  
E-Mail [info-heiztechnik@oranier.com](mailto:info-heiztechnik@oranier.com)  
[www.oranier-stoves.com](http://www.oranier-stoves.com)



030 1365 017 500.03 / 17\_V1 UK

Copyright: All pictures, illustrations, technical data and text used in this media (print or web) is subject to the copyright of ORANIER Heiztechnik, 35708 Haiger. The use by third parties requires a written agreement by ORANIER Heiztechnik. Technical changes reserved. Typographical color deviation can be possible.

