

# Contura

FREESTANDING STOVES



Stoves for all homes





There is nothing cosier than a real fire.

Anyone who lives where there is an autumn, winter and spring knows this. But the heat from a fire is not just a cosiness factor that triggers deep feelings of safety and community. It is also a sensible and modern solution that maximises both your and nature's resources.



Light with a clear conscience. All of our stoves have the Swan eco-label.  
Read more on page 20.

A stove from Contura will spread warmth and cosiness in your home for many years to come. Therefore you should choose carefully. We make Contura for those who appreciate good design, intelligent functions and a wide choice. We make stoves for those who choose with the heart and the head.



See more of the fire. The symbol for fire visibility indicates how much of the fire the stove shows. Read more on page 23.





It is quite simply, quality of life.

## Contents

### Welcome to our warm homes!

Be inspired by some warm, cosy homes	8-19
Light with the environment in mind	20

### Choose the right stove

Which Contura are you?	22
Flame visibility	23
To bear in mind	24
Good characteristics	25

### Product information

Contura 26	26
Contura 30 series	30
Contura 50 series	34
Contura 400 series	40
Contura 500 series	44
Contura 600 series	52
Contura 700 series	60
Contura 800 series	66
Accessories	70
Facts about all stoves	76
Dimension diagrams	85
Good heat retention	100
Efficient combustion	105
Lighting in the right way	106

“We wanted to see  
the fire from both  
the kitchen and the  
living room.”



“When we renovated we ripped out the old open hearth. We wanted to have the fireplace in a different location in our new, open plan solution. The stove shows the fire from three directions and is perfect both when reading homework and relaxing on the sofa.”

Read more about Contura 556 on page 48.

Heat to rely on,  
light to savour



"When we left Holland to live in the Swedish countryside we were prepared for most eventualities. Except the cold and the darkness. After the first winter in our wonderful, but draughty, house we bought a stove. It had to be a proper one. Heat retention was a must. And, of course, we wanted to see the fire. Now we have everything that we could wish for."

Read more about Contura 790T on page 65.

The fire improves the atmosphere of my little café

Menu

<b>Varmt Matar 55</b>	<b>Kallt Matar 45</b>
• Mazzoni (Bacon, ost)	• Brödskål • Kaviar • Smörgåsar
• Bruschetta (Tomat, vitlök, basilika)	• Smörgåsar 45
• Café Special (vitlök, ost, bacon)	• Vitlök • Ost & smör • Smörgåsar
• Bruschetta (ost, smör, vitlök, basilika)	

Kaffe & smör

Espresso	14	Choklad	25
Mochiatto	22	Te	20
Cappuccino	28	Varm skål	50
Latte	32	Fiskrätt	250
Bruschetta	25	Juice	15

"A café of my own was always my dream when I finally got it all together. I do not regret investing a little more in a new stove, the customers love it and so do I. That it is also easy to keep clean is an added bonus."  
Read more about Contura 790K on page 64.

## Renewal, tradition and light




Retaining the original style was, of course, important during the renovation. The art is in finding details that still provide a sense of renewal. A soapstone stove has precisely these characteristics – a modern style in a traditional material. As such, it provides the perfect setting for a hearty fire...

Read more about Contura 620T on page 52.

In the future  
every body will be  
world famous  
for fifteen minutes  
Andy Warh

Moderna Museet.  
Stockholm Swede  
10/2-17/3 1968





“We live as close to nature and the forest as we can.”

Come and look at the house of a young couple who live close to the fire and to nature. When they renovated the old schoolhouse it was important to be careful both with their own and the earth's resources. To minimise energy consumption, they heat the house using two highly efficient stoves. They have a warm and cosy home with a lot of character. Being able to chop their own wood, stack it against the house walls and then use it to keep the fire burning, further enhances their quality of life.

Read more about Contura 660K on page 59.

A little shining star



"The first attraction was the super-ellipse shape. But above all, we want to see the fire. Despite its compact form, this stove has really big glass and lights up the whole room. What a combination, we fell in love!"

Read more about the Contura 850 on page 66.



The Swan is a Nordic eco-label issued by Ecolabelling Sweden.  
All Contura stoves are approved according to the Swan's tough standards.

## Light with the environment in mind

Everything we do has an impact on the environment in some way. Today, we often have the opportunity to influence to what extent. One way to contribute to a reduced environmental impact when choosing a stove is to look out for the Swan label.

Stringent requirements are placed on the manufacture and use of Swan labelled stoves. Therefore, the product can be recycled without the spread of toxic substances.

The requirements for efficient combustion are also high. It is during combustion that unhealthy particulates and hydrocarbons are formed. Contura stoves have a combustion efficiency that puts them below the permitted limits, provided that you light properly. Learn more about how to light effectively and with most efficiency at [www.contura.eu](http://www.contura.eu). It is the best for you and the environment.

A Swan labelled stove is CO<sub>2</sub> neutral, because the carbon dioxide produced during the efficient combustion of bioenergy is taken up in the corresponding quantity as new trees are growing.

By lighting, you get a natural supporting heat in the house, which relieves the load on the house's main heating. It benefits both you and the environment.



# Which Contura are you?

Contura is available in a number of models and sizes. Common to all of them is a generous area of glass that shows a lot of the fire as well as Swedish design, quality and manufacturing.

How large an area can the stove heat? What does the area where the stove is be located look like? There are different factors that determine the choice of the size of the firebox, the heating capacity as well as the size of the stove itself. The differences between the stove series are in the shape of the casing and the size of the firebox. Each series has different variants and different stove casings, so that you can choose the exact characteristics you want from your stove. In addition, there are accessories for different purposes, for example, heat retention and wood storage.

When you are clear about what suits your needs, the most important thing remains:  
To choose a stove that is easy on the eye and that will be a dear friend to the home for many years to come. We are sure that you will find a favourite.



Stoves



Soapstone stoves



Tiled stoves



Cast iron stoves



THERE ARE LOTS OF ACCESSORIES FOR OUR STOVES  
Read more on page 72



## 'How much of the fire do you want to see?'

Many, many Contura owners appreciate their stoves for one special property:  
It shows a lot of the fire. Large front glass and generous side glass means that you can see the fire from (nearly) every angle. Look out for our symbol for flame visibility! It indicates how much of the fire the model shows.



Only front glass.



Front glass with narrow side glass.



Front glass with large side glass.



With a turntable the fire can be seen 360°

## Size first

When you have made the decision to purchase a stove it is important to think carefully about which model it should be.

Size is the most important choice - Contura has sizes ranging from the small stove for a cottage to majestic installations for large reception rooms, and everything in-between.

Measure the space where the stove is to stand and check the distances to flammable materials. Calculate the size of the area that the stove is to heat. Now you know what size you should be looking for. The dimensions and heating capacities are given alongside each model.

## Choose design

Stoves from Contura are appreciated because they show so much of the fire. This makes the stoves easy to position, even in small spaces. Thanks to the large glass areas, in most models the flames can be seen from at least three sides.

The stoves are available in most shapes, round, angular, oval, tall, low, narrow or wide. Have a good look! We are sure that you will find the one you want.

## Different materials

The material makes a up a large part of the stove's properties. The stoves heat up quickly and spread their heat only a few minutes after the fire has caught. When the fire has burned down it cools quite quickly.

The soapstone stoves have, as well as their natural good looks, the ability to retain heat over a long period. Heating up takes a little longer,

but when the stone has been heated after a period of being lit the heat accumulates. When the fire burns low the stone is still very hot and it takes several hours to cool. The tiled stove gives the home a light, classical and homely style. Cast iron stoves are strongly robust. In our interpretation they also have a rugged modern style.

## Personal style

With our accessories you can give the stove your own personal style and adapt it to your interests and needs.

You can, for example, choose the colour, a different top plate, door, log box, baking oven, hotplate, fan, heat tank, damper, a connection to outdoor air, floor protector and much more. All accessories are made by Contura for Contura and fit the stoves perfectly. Read more about accessories on pages 66-71.



## Good properties a stove needs

- 1 High flame visibility.** Several of Contura's models have generous glass areas that display a lot of the fire. The stove is easy to position so that the flame is visible from several points in the room. Our symbol for flame visibility indicates how much flame a particular model displays.
- 2 Cast iron door.** In order to resist the stresses that arise with the large temperature variations in the stove, the door must be made from shape-retaining cast iron.
- 3 Most efficient in test.** The efficiency is the relationship between the energy the stove gives off and the energy that is supplied in the form of logs. Contura's stoves have an efficiency of up to 81% which is one of the highest on the market according to independent testers.
- 4 Swedish made and guaranteed.** Contura stoves are high quality Swedish products developed and manufactured by NIBE AB. We give a five year factory warranty on all stoves.
- 5 Clean Burning System.** The hot combustion air is flushed out onto the inside of the glass, which prevents soot build-up. This ensures that the fire is always visible in the room.
- 6 Powerful convection.** The cool room air is drawn into the stove from underneath, is heated and rises. Just a few minutes later the hot air flows out into the room.
- 7 Swan labelled and CE marked.** Most Contura products are certified in accordance with Miljömärkning Sverige AB's quality label – the Swan. All are CE marked, which guarantees a safe product.
- 8 Simple to use.** Contura stoves are equipped with controls for exact power regulation that allow simple, precise combustion control. The door, grates and ashbox are also easily accessible on our stoves.
- 9 Flexible.** Contura stoves are available in a number of variants and models. It is possible to choose the height, colour and various tops for several of the models in order to give the stove a personal touch.
- 10 Fan and heat retention.** For maximum efficiency in heating, it is possible to choose fans and different heat retention properties for several of Contura's models.
- 11 Many options.** Supplement the stove with one or more options such as a baking oven, warming shelf, drawer, floor protector of sheet metal or glass. A turntable makes it possible to rotate the stove for maximum flame visibility in the room.

## Scandinavian style and continental charm

Are you looking for an excellent heat source? Contura 26 is for those of you who want to see a lot of the fire and want to be really warm and cosy. The stoves in the series have curved glass and the casing conceals a heat tank of efficient heat retaining powerstone. They are like an updated tiled stove and if you choose a baking oven you get even more use out of your stove.

Contura 26 is available with a gloss white or matt sand-coloured tile casing and with heat retaining, naturally patterned soapstone.

The heat tank is included in the low models and is optional for the tall models.

Read more about the heat tank and efficiency test of Contura 26 on page 100.

Output	6 kW
Efficiency	79%
Heats	up to 150 m <sup>2</sup>
Height	1622 mm
Width	582 mm
Depth	462 mm
Weight with baking oven	265 kg
Weight with heat tank	360 kg
Colour	Black, grey
Tiles	White, sand
Max. log length	40 cm



Select options: Fan, baking oven, extra heat tank, floor protector in glass or sheet metal, outside air connection, chimney.

CONTURA 26K, high



## CONTURA 26T high baking oven



Select options: Fan, baking oven, extra heat tank, floor protector in glass or sheet metal, outside air connection, chimney.

HIGH FLAME VISIBILITY AND A LOT OF HEAT

## Combine the use with the smell of freshly baked bread

Equip the soapstone stove with a baking oven! The high model gives a real heating boost to the house. With a baking oven the heat is exploited to the full. Buns, pizza or pies can be beautifully baked. You can keep an eye on the temperature using the thermometer supplied with the oven. An extra heat tank gives a long cooling period (option). See efficiency tests on page 101.

<b>Output</b>	<b>6 kW</b>
<b>Efficiency</b>	<b>79%</b>
<b>Heats</b>	<b>up to 150 m<sup>2</sup></b>
<b>Height</b>	<b>1622 mm</b>
<b>Width</b>	<b>582 mm</b>
<b>Depth</b>	<b>462 mm</b>
<b>Weight with baking oven</b>	<b>480 kg</b>
<b>Colour</b>	<b>Black, grey</b>
<b>Max. log length</b>	<b>40 cm</b>

## CONTURA 26T low



Select options: Fan, floor protector in glass or sheet metal, outside air connection.

## Spread the heat through the whole house

Contura 26T low has an integrated heat tank and can be equipped with a fan that effectively spreads the heat from room to room. The sturdy handle on Contura 26 makes the door easy to open.

<b>Output</b>	<b>6 kW</b>
<b>Efficiency</b>	<b>79%</b>
<b>Heats</b>	<b>up to 150 m<sup>2</sup></b>
<b>Height</b>	<b>1312 mm</b>
<b>Width</b>	<b>582 mm</b>
<b>Depth</b>	<b>462 mm</b>
<b>Weight</b>	<b>420 kg</b>
<b>Colour</b>	<b>Black, grey</b>
<b>Max. log length</b>	<b>40 cm</b>

## Warming comfort

The Contura 26K low models are also suitable for when large areas need to be heated. This model occupies a small area but provides the pleasant feeling of a tiled stove. Thanks to the large glass areas the flames can be seen from several directions. The heat tank in powerstone retains heat efficiently (included). Select a glass floor protector to enhance the light, clean impression.

<b>Output</b>	<b>6 kW</b>
<b>Efficiency</b>	<b>79%</b>
<b>Heats</b>	<b>up to 150 m<sup>2</sup></b>
<b>Height</b>	<b>1312 mm</b>
<b>Width</b>	<b>582 mm</b>
<b>Depth</b>	<b>462 mm</b>
<b>Weight</b>	<b>240 kg</b>
<b>Color</b>	<b>Black, grey</b>
<b>Tile</b>	<b>White, sand</b>
<b>Max log length</b>	<b>40 cm</b>

## CONTURA 26K low



Select options: Fan, floor protector in glass or sheet metal, outside air connection.

## Prized for its design, loved for its warmth

Boldness characterises the 30 Contura series. This is a stove that makes an impression on the room, and lets the fire glow behind a generous expanse of glass. Contura 35T (image) has been awarded the Red dot award for its design and excellent properties. The tall models in the Contura 30 series can be supplemented with heat retaining powerstone. The low models are designed by Vitre design. The material choices combine steel, soapstone, glass, mirrored glass and cast iron for both aesthetics and function.

Contura 30 combines many good things: quick heating, good flame visibility and, if required, heat retention.

Output	5 kW
Efficiency	80%
Heats	up to 120 m <sup>2</sup>
Height	1600 mm
Width	550 mm
Depth	430 mm
Weight	250 kg
Weight with heat tank	320 kg
Colour	Black, grey
Max. log length	35 cm

LET THE HEAT  
STAY FOR  
LONGER

Select options: Fan, heat tank (cannot be combined with fan), floor protector of glass or sheet metal, outside air connection, chimney.





## CONTURA 34T



Select options: Fan, heat tank (cannot be combined with fan), floor protector of glass or sheet metal, outside air connection, chimney.

## Prize winning stove that stands out from the crowd

The "Red dot quality label for high design quality" is an award for outstanding and innovative design in one of the most prestigious design competitions in the world. Contura 35T received the award in 2010. We are very proud of it – at least as proud as we are that the efficiency level is 80% and that, like all our stoves, it is eco-labelled. Enjoy a little more of the fire!

<b>Output</b>	<b>5 kW</b>
<b>Efficiency</b>	<b>80%</b>
<b>Heats</b>	<b>up to 120 m<sup>2</sup></b>
<b>Height</b>	<b>1600 mm</b>
<b>Width</b>	<b>550 mm</b>
<b>Depth</b>	<b>430 mm</b>
<b>Weight</b>	<b>320 kg</b>
<b>Weight with heat tank</b>	<b>390 kg</b>
<b>Colour</b>	<b>Black, grey</b>
<b>Max. log length</b>	<b>35 cm</b>

## CONTURA 35



Select options: Fan, heat tank (cannot be combined with fan), floor protector of glass or sheet metal, outside air connection, chimney.

## Uncompromising raw power and a lot of fire

Contura 35 is a cousin of the Red dot design Award-winning Contura 35T. Instead of having a soapstone casing, Contura 35 is covered in sheet metal which gives it an austere, industrial feel. The fire has a lot of space behind a generous glass area.

<b>Output</b>	<b>5 kW</b>
<b>Efficiency</b>	<b>80%</b>
<b>Heats</b>	<b>up to 120 m<sup>2</sup></b>
<b>Height</b>	<b>1600 mm</b>
<b>Width</b>	<b>550 mm</b>
<b>Depth</b>	<b>430 mm</b>
<b>Weight</b>	<b>130 kg</b>
<b>Colour</b>	<b>Black, grey</b>
<b>Max. log length</b>	<b>35 cm</b>

## Cast iron for ever and a day

Who doesn't love cast iron? The easily formed, tough and beautiful material has been used for so many appliances through our history. Things that should be really stable, strong and heavy are made of cast iron – manhole covers and Grandma's frying pan, for example. This is the tradition behind Contura's tough and modern cast iron stoves, designed by young Swedish designers. Whichever model you choose you get a small and robust stove that shows a lot of light and heats for a long, long time.

This versatile 5kW stove means you can have a fire with a low output in order to maintain an even and comfortable temperature in the room for a long period. The stoves have high capacities and can heat up to approx 120m<sup>2</sup> in favourable conditions.

THE LOG GRATE  
HOLDS THE LOGS IN  
PLACE WHEN THE  
DOOR IS OPENED

Output	5 kW
Efficiency	81%
Heats	up to 120 m <sup>2</sup>
Height	630 mm
Width	495 mm
Depth	420 mm
Weight	124 kg
Colour	Black or grey
Max. log length	35 cm



Select options: Extra handle matt chrome or black, floor protector in black sheet metal, outside air connection, chimney.

## CONTURA 52



Select options: Extra handle matt chrome or black, floor protector in black sheet metal, outside air connection, chimney.

## Straight and discrete but warm and alive

This cast iron stove is designed by the Swedish design group, Myra. With its straight lines and covered sides it has a place in both contemporary and more rustic styles.

<b>Output</b>	<b>5 kW</b>
<b>Efficiency</b>	<b>81%</b>
<b>Heats</b>	<b>up to 120 m<sup>2</sup></b>
<b>Height</b>	<b>825 mm</b>
<b>Width</b>	<b>495 mm</b>
<b>Depth</b>	<b>420 mm</b>
<b>Weight</b>	<b>135 kg</b>
<b>Colour</b>	<b>Black</b>
<b>Max. log length</b>	<b>35 cm</b>

## CONTURA 52T



Select options: Hotplate, extra handle in matt chrome, floor protector in black sheet metal, outside air connection, chimney.

## Rounded back for placing in corners

Contura 53 has a softly rounded back that makes it perfect for positioning in corners. Four stable, adjustable legs give an airy impression and make it easy to clean.

<b>Output</b>	<b>5 kW</b>
<b>Efficiency</b>	<b>81%</b>
<b>Heats</b>	<b>up to 120 m<sup>2</sup></b>
<b>Height</b>	<b>825 mm</b>
<b>Width</b>	<b>550 mm</b>
<b>Depth</b>	<b>455 mm</b>
<b>Weight</b>	<b>143 kg</b>
<b>Colour</b>	<b>Black</b>
<b>Max. log length</b>	<b>35 cm</b>

## Substantial stoves in cast iron and soapstone

The cast iron stove has a long tradition that has been given a contemporary interpretation. The 50 range has the same efficient firebox as all Contura stoves. With soapstone sides the heat is retained for a long, long time.

<b>Output</b>	<b>5 kW</b>
<b>Efficiency</b>	<b>81%</b>
<b>Heats</b>	<b>up to 120 m<sup>2</sup></b>
<b>Height</b>	<b>875 mm</b>
<b>Width</b>	<b>495 mm</b>
<b>Depth</b>	<b>420 mm</b>
<b>Weight</b>	<b>172 kg</b>
<b>Colour</b>	<b>Black</b>
<b>Max. log length</b>	<b>35 cm</b>

## CONTURA 53



Select options: Extra handle matt chrome or black, floor protector in black sheet metal, outside air connection, chimney.

# CONTURA 54



Select options: Extra handle matt chrome or black, floor protector in black sheet metal, outside air connection, chimney.

## Rounded with full sides

Contura 54 has fully covering sides with adjustable feet for stability on all surfaces. In the image the detachable handle is removed.

<b>Output</b>	<b>5 kW</b>
<b>Efficiency</b>	<b>81%</b>
<b>Heats</b>	<b>up to 120 m<sup>2</sup></b>
<b>Height</b>	<b>825 mm</b>
<b>Width</b>	<b>550 mm</b>
<b>Depth</b>	<b>455 mm</b>
<b>Weight</b>	<b>149 kg</b>
<b>Colour</b>	<b>Black</b>
<b>Max. log length</b>	<b>35 cm</b>

# CONTURA 54T



Select options: Hotplate, extra handle matt chrome or black, floor protector in black sheet metal, outside air connection, chimney.

## Robust and spacious but small and neat

Contura 54T is the curved model in the 50 range. The fantastic thing with this stove is that it has enormous capacity, despite the fact that it is so compact and easily positioned. A powerhouse! See efficiency tests of Contura 54T on page 101.

<b>Output</b>	<b>5 kW</b>
<b>Efficiency</b>	<b>81%</b>
<b>Heats</b>	<b>up to 120 m<sup>2</sup></b>
<b>Height</b>	<b>875 mm</b>
<b>Width</b>	<b>550 mm</b>
<b>Depth</b>	<b>455 mm</b>
<b>Weight</b>	<b>190 kg</b>
<b>Colour</b>	<b>Black</b>
<b>Max. log length</b>	<b>35 cm</b>

## A classical piggy bank.

Contura 400 is a classically styled series for those you want to flirt with a genuine, masonry stove-feel in the home. The fire can be seen as if the stove is open, but the effect is much greater thanks to the protective glass, the efficient firebox and heat retaining powerstone under the cover. Choose a casing with natural heat retaining soapstone and give your home a real piggy bank. All models in the series have a large ash-pan concealed under the door.

Contura 470T (image) is clad in specially designed soapstone. Glass on three sides means that the fire can be experienced by everyone in the room. Thanks to the soapstone and the heat tank under the stove hood, it radiates heat for many hours after the fire has gone out. That saves you money!

Output	6 kW
Efficiency	80%
Heats	up to 150 m <sup>2</sup>
Height, medium height/high	2050/2415 mm
Width	664 mm
Depth	560 mm
Weight, med.height/high	328, 355 kg
Colour	Grey
Max. log length	39 cm

LIGHT  
ENVIRONMENTALLY  
CONSCIOUSLY!  
READ MORE AT  
[WWW.CONTURA.EU](http://WWW.CONTURA.EU)



**Select options:** Fan, additional side glass, extension parts in soapstone, floor protector in grey sheet metal, outside air connection, chimney.

CONTURA 470



## CONTURA 480



Select options: Fan, hotplate, additional side glass, floor protector in glass or sheet metal, outside air connection, chimney.

## Heats both body and soul

Soapstone is a pure, natural material with individual veining and good heat retaining characteristics. Contura 480T has a soapstone casing and there is heat retaining powerstone under the cover. The well-tested and efficient firebox in the 400 series gives a generous glass area that allows the fire to light up the room.

<b>Output</b>	<b>6 kW</b>
<b>Efficiency</b>	<b>80%</b>
<b>Heats</b>	<b>up to 150 m<sup>2</sup></b>
<b>Height</b>	<b>1250 mm</b>
<b>Width</b>	<b>552 mm</b>
<b>Depth</b>	<b>526 mm</b>
<b>Weight</b>	<b>290 kg</b>
<b>Colour</b>	<b>Grey</b>
<b>Max. log length</b>	<b>39 cm</b>

## CONTURA 450



Select options: Additional side glass, fan, floor protector in white, grey or black sheet metal, outside air connection, chimney.

## Heat retention in the stove cover

The heat retention in the soapstone together with the powerstone under the cover gives off heat for several hours. Contura 450T has glass on three sides, and soft round lines. The glow of the fire spreads around the entire room. The large glass sections reinforce the feeling of warmth. Available in black, white or grey.

<b>Output</b>	<b>6 kW</b>
<b>Efficiency</b>	<b>80%</b>
<b>Heats</b>	<b>up to 150 m<sup>2</sup></b>
<b>Height</b>	<b>1195 mm</b>
<b>Width</b>	<b>640 mm</b>
<b>Depth</b>	<b>550 mm</b>
<b>Weight</b>	<b>182 kg</b>
<b>Colour</b>	<b>Black, white, grey</b>
<b>Max. log length</b>	<b>39 cm</b>



## Large glass surfaces in the sides

The glass surfaces give a wonderful view into the fire. The efficient firebox and heat tank in the cover also produce good heat in the event of a power cut. A perfect choice for those that value classic design and technical excellence. Available in black, white or grey.

<b>Output</b>	<b>6 kW</b>
<b>Efficiency</b>	<b>80%</b>
<b>Heats</b>	<b>up to 150 m<sup>2</sup></b>
<b>Height</b>	<b>1195 mm</b>
<b>Width</b>	<b>640 mm</b>
<b>Depth</b>	<b>550 mm</b>
<b>Weight</b>	<b>164 kg</b>
<b>Colour</b>	<b>Black, grey, white</b>
<b>Max. log length</b>	<b>39 cm</b>

450

450T

480

## CONTURA 450T



Select options: Additional side glass, fan, floor protector in white, grey or black sheet metal, outside air connection, chimney.



## No home or space is too small for a Contura 500

Many people love to relax next to their Contura 500, one of our biggest sellers. It is loved for its clean lines, rapid heating capability and its value, but perhaps most of all because it is so flexible and shows so much of the fire.

The stoves in the 500 series have almost unlimited options so you can choose the one that suits you best. The basic model in the series (image) is compact, easy to position and made of painted metal. With a top connected chimney and floor plate, the stove takes up very little space but heats large areas. Greatest efficiency is achieved by adding an optional fan.

<b>Output</b>	<b>5 kW</b>
<b>Efficiency</b>	<b>79%</b>
<b>Heats</b>	<b>up to 120 m<sup>2</sup></b>
<b>Height</b>	<b>1010 mm</b>
<b>Width</b>	<b>496 mm</b>
<b>Depth</b>	<b>438 mm</b>
<b>Weight</b>	<b>100 kg</b>
<b>Colour</b>	<b>Black, grey</b>
<b>Max. log length</b>	<b>33 cm</b>



CONTURA 500  
AVAILABLE IN MANY  
VARIANTS

CONTURA 500

45

Select options: Cast iron, steel disc or soapstone top, fan, base plate, drawer (cannot be combined with fan), hotplate, turntable, floor protector of glass or sheet metal, outside air connection, chimney.

CONTURA 510



CONTURA 520T

Select options: Fan, base plate, drawer (cannot be combined with fan), hotplate, turntable, floor protector of glass or sheet metal, outside air connection, chimney.

## Clad in soapstone for all those cold days

Soapstone is a natural stone with the capacity to retain heat. This means that it will continue to give off heat long after the fire has gone out. One fire in the evening keeps the stove warm all night. The stone varies in colour and veining slightly, giving you a unique stove.

<b>Output</b>	<b>5 kW</b>
<b>Efficiency</b>	<b>79%</b>
<b>Heats</b>	<b>up to 120 m<sup>2</sup></b>
<b>Height</b>	<b>1032 mm</b>
<b>Width</b>	<b>564 mm</b>
<b>Depth</b>	<b>470 mm</b>
<b>Weight</b>	<b>210 kg</b>
<b>Colour</b>	<b>Black, grey</b>
<b>Max. log length</b>	<b>33 cm</b>



CONTURA 550

Select options: Cast iron, steel disc or soapstone top, fan, base plate, drawer (cannot be combined with fan), hotplate, turntable, floor protector of glass or sheet metal, outside air connection, chimney.

## A stove for those who enjoy family life and modern design

Brushed aluminium and stainless steel make the attractive wood burning stove an item of contemporary interior decor. More importantly, perhaps, it enhances the quality of your life as well as the heat in your home.

<b>Output</b>	<b>5 kW</b>
<b>Efficiency</b>	<b>79%</b>
<b>Heats</b>	<b>up to 120 m<sup>2</sup></b>
<b>Height</b>	<b>1010 mm</b>
<b>Width</b>	<b>496 mm</b>
<b>Depth</b>	<b>438 mm</b>
<b>Weight</b>	<b>100 kg</b>
<b>Colour</b>	<b>Black, grey</b>
<b>Max. log length</b>	<b>33 cm</b>

See the fire and feel the atmosphere everywhere in the room

If you have a stove with side glass you don't have to sit on the sofa to enjoy the glow of the fire. The glow and atmosphere of the fire spreads around the entire room. Choosing a log box for below the stove always gives you firewood that is always at room temperature and easy to light. The alternatives are an attractive plinth or a practical storage drawer.

<b>Output</b>	<b>5 kW</b>
<b>Efficiency</b>	<b>79%</b>
<b>Heats</b>	<b>up to 120 m<sup>2</sup></b>
<b>Height</b>	<b>1010 mm</b>
<b>Width</b>	<b>496 mm</b>
<b>Depth</b>	<b>438 mm</b>
<b>Weight</b>	<b>100 kg</b>
<b>Colour</b>	<b>Black, grey</b>
<b>Max. log length</b>	<b>33 cm</b>

520T

550

550A



CONTURA 550A

Select options: Fan, aluminium base plate, drawer (cannot be combined with fan), hotplate, turntable, floor protector of glass or sheet metal, outside air connection, chimney.





CONTURA 556

**Select options:** Cast iron, steel disc or soapstone top, fan, base plate, storage compartment, hotplate, turntable, lower hatch, floor protector in glass or sheet metal, outside air connection, chimney.

## Large areas of side glass give the impression of an open fire

A stove with large areas of side glass is perfect for combining areas in open plan solutions. Position it between the dining area and the living room and the fire can be seen both while eating and when relaxing on the sofa!

<b>Output</b>	<b>5 kW</b>
<b>Efficiency</b>	<b>79%</b>
<b>Heats</b>	<b>up to 120 m<sup>2</sup></b>
<b>Height</b>	<b>1080 mm</b>
<b>Width</b>	<b>495 mm</b>
<b>Depth</b>	<b>440 mm</b>
<b>Weight</b>	<b>105 kg</b>
<b>Colour</b>	<b>Black, grey</b>
<b>Max. log length</b>	<b>33 cm</b>



CONTURA 560K

**Select options:** Fan, hot plate, drawer (cannot be combined with fan), base plate, turntable, floor protector of glass or sheet metal, outside air connection, chimney.

## The best heating and fire possible

The combination of side glass and heat retaining soapstone back gives extra comfortable heating and excellent visibility of the fire. Choose a turntable to position the stove in the centre of the room and see the fire from all directions.

<b>Output</b>	<b>5 kW</b>
<b>Efficiency</b>	<b>79%</b>
<b>Heats</b>	<b>up to 120 m<sup>2</sup></b>
<b>Height</b>	<b>1010 mm</b>
<b>Width</b>	<b>536 mm</b>
<b>Depth</b>	<b>458 mm</b>
<b>Weight</b>	<b>145 kg</b>
<b>Colour</b>	<b>Black, grey</b>
<b>Max. log length</b>	<b>33 cm</b>

LET THE HEAT STAY FOR LONGER



## The tiled stove of today is small, attractive and has Nordic light

The wood burning stove with side glass is clad in durable, specially made tiles, just like a tiled stove. It is suitable for those who like tiles and who want a quick and efficient heat source that takes up little space. It also has the advantage that you can see and enjoy the fire, both from the front and from the sides. Coffee can be kept warm with a hotplate on top.

<b>Output</b>	<b>5 kW</b>
<b>Efficiency</b>	<b>79%</b>
<b>Heats</b>	<b>up to 120 m<sup>2</sup></b>
<b>Height</b>	<b>1010 mm</b>
<b>Width</b>	<b>536 mm</b>
<b>Depth</b>	<b>462 mm</b>
<b>Weight</b>	<b>115 kg</b>
<b>Colour</b>	<b>Black, grey</b>
<b>Tiles</b>	<b>White, sand</b>
<b>Max. log length</b>	<b>33 cm</b>

556

560K

560T



CONTURA 560T

**Select options:** Fan, hot plate, drawer (cannot be combined with fan), base plate, turntable, floor protector of glass or sheet metal, outside air connection, chimney.



## CONTURA 586



Select options: Cast iron, steel disc or soapstone top, hotplate, turntable, floor protector in glass or sheet metal, outside air connection, chimney.

### Flames can be seen and their heat can be felt

Contura 586 with generous side glass is raised on a pillar. Here the fire gets a lot of free space, especially if you choose a turntable and position the stove into the room slightly.

<b>Output</b>	<b>5 kW</b>
<b>Efficiency</b>	<b>79%</b>
<b>Heats</b>	<b>up to 120 m<sup>2</sup></b>
<b>Height</b>	<b>1160 mm</b>
<b>Width</b>	<b>495 mm</b>
<b>Depth</b>	<b>440 mm</b>
<b>Weight</b>	<b>110 kg</b>
<b>Colour</b>	<b>Black, grey</b>
<b>Max. log length</b>	<b>33 cm</b>

## CONTURA 590



Select options: Cast iron, steel disc or soapstone top, heat tank, fan (cannot be combined with heat tank), log box, turntable, high or low storage hatch, floor protector of glass or sheet metal, outside air connection, chimney.

### High level heat rays and light.

The tall soapstone stove increases heat retention and keeps the fire at a higher level. Soapstone has the capacity to store heat long after the fire has gone out. For those who want better heating output, installing a heat tank gives extra hours of warmth.

<b>Output</b>	<b>5 kW</b>
<b>Efficiency</b>	<b>79%</b>
<b>Heats</b>	<b>up to 120 m<sup>2</sup></b>
<b>Height</b>	<b>1544 mm</b>
<b>Width</b>	<b>536 mm</b>
<b>Depth</b>	<b>458 mm</b>
<b>Weight</b>	<b>230 kg</b>
<b>Colour</b>	<b>Black, grey</b>
<b>Max. log length</b>	<b>33 cm</b>



### Stove for castles and cottages

The tall Contura 590 gives you great possibilities of extra heat retention with Powerstone under the cover. For good heat distribution choose a fan. The generous log box means fewer runs to the woodshed. The highly placed firebox with glass on three sides gives a lot of light and good visibility of the fire. Light, warm and cosy, can it get any better?

<b>Output</b>	<b>5 kW</b>
<b>Efficiency</b>	<b>79%</b>
<b>Heats</b>	<b>up to 120 m<sup>2</sup></b>
<b>Height</b>	<b>1544 mm</b>
<b>Width</b>	<b>496 mm</b>
<b>Depth</b>	<b>438 mm</b>
<b>Weight</b>	<b>130 kg</b>
<b>Colour</b>	<b>Black, grey</b>
<b>Max. log length</b>	<b>33 cm</b>

585

586

590

590T

## CONTURA 590T



Select options: Warming shelf in soapstone, baking oven, fan, extra heat tank, turntable, floor protector in glass or sheet metal, outside air connection, chimney.

## Greater options

The stoves in the 600 series have a larger firebox than their siblings in the 500 series. This means a larger door with larger expanse of glass and that longer logs can be used.

There is a practical space at the top that can either be used as an open warming shelf or baking oven. The taller models can be supplemented with heat retaining powerstone at the top. Of course, there is a huge selection of casings in different styles and with different characteristics.

Contura 620T (image) has a spacious casing in natural heat retaining soapstone.

Output	6 kW
Efficiency	79%
Heats	120 m <sup>2</sup>
Height	1220 mm
Width	590 mm
Depth	510 mm
Weight	270 kg
Colour	Black, grey
Max. log length	36 cm



Select options: Soapstone base, drawer, hot-plate, turntable, fan, floor protector of glass or sheet metal, outside air connection.

CONTURA 620T

## CONTURA 620S



### Soft and lively structures

Sandstone is a sedimentary rock consisting of mainly quartz, lime & iron sand grains that are aggregated together. The naturally-occurring composition of these sand grains determines the stone's vein structure and colour nuances. The result is an alluring, individual and unique appearance in each sandstone-clad stove.

Output	6 kW
Efficiency	79%
Heats	150 m <sup>2</sup>
Height	1220 mm
Width	590 mm
Depth	510 mm
Weight	270 kg
Colour	Black, grey
Max. log length	36 cm

**Accessories:** Plinth of steel or sandstone, drawer, hot plate, turntable, fan, glass hearth plate, outside air kit.

### A light corner

The room got a new lease of life when we put the new stove in the corner. It fits in beautifully and we really like the fact that the flames are raised up from floor level.

Output	6 kW
Efficiency	79%
Heats	150 m <sup>2</sup>
Height	1544 mm
Width	551 mm
Depth	478 mm
Weight	156 kg
Colour	Black, grey
Max. log length	36 cm

## CONTURA 630T



### In harmony with nature

We love the barren and rocky landscape around our house. It was the obvious choice to have a stove fully clad in soapstone – even the base door under the firebox! It feels like it is made of the materials that are outside the windows.

Output	6 kW
Efficiency	79%
Heats	150 m <sup>2</sup>
Height	1544 mm
Width	551 mm
Depth	478 mm
Weight	260 kg
Colour	Black, grey
Max. log length	33 cm

**Select options:** Fan, soft closing door in soapstone, heat storage, turntable, floor protector of glass or sheet metal, outside air connection.

## CONTURA 630



### Cosiness, heating and light in the loft

When we realised how easy it was to install a stove there was no doubt. And having come to that conclusion, we wanted one that fits in, lights up and heats. Now we have everything!

Output	6 kW
Efficiency	79%
Heats	150 m <sup>2</sup>
Height	1544 mm
Width	551 mm
Depth	478 mm
Weight	160 kg
Colour	Black, grey
Max. log length	36 cm

EFFICIENCY TESTS  
IN PAGE 100

**Select options:** Cast iron, steel disc or soapstone top, heat storage, fan, turntable, floor protector in glass or sheet metal, outside air connection.

## CONTURA 635



**Select options:** Cast iron-, steel top- or soapstone top, fan, heat storage, turntable, floor protector of glass or sheet metal, outside air connection.

# CONTURA 655A



Select options: Warming shelf in aluminium, baking oven, fan, hot plate, drawer (cannot be combined with fan), base plate, turntable, floor protector of glass or sheet metal, outside air connection, chimney.

## The stove that suits Scandinavian light

The aluminium wood burning stoves are especially designed to blend into rooms with contemporary details and stainless steel surfaces. For example, if you have an open-plan kitchen and living room, the stove blends well into both environments. The side glass enables the fire to be seen from many directions.

MAKE YOUR STOVE PERSONAL  
READ MORE  
PAGE 72

<b>Output</b>	<b>6 kW</b>
<b>Efficiency</b>	<b>79%</b>
<b>Heats</b>	<b>up to 150 m<sup>2</sup></b>
<b>Height</b>	<b>1200 mm</b>
<b>Width</b>	<b>555 mm</b>
<b>Depth</b>	<b>480 mm</b>
<b>Weight</b>	<b>150 kg</b>
<b>Colour</b>	<b>Black, grey</b>
<b>Max. log length</b>	<b>36 cm</b>

# CONTURA 650



Select options: Cast iron, steel disc or soapstone top, warming shelf in steel or soapstone, baking oven, fan, hotplate, drawer (cannot be combined with fan), base plate, turntable, floor protector of glass or sheet metal, outside air connection, chimney.

## Materials and details that suit your lifestyle.

Choose Contura 655 with side glass to see the fire from all directions. With a cast iron top you get an attractive warming shelf and the box makes for a practical log store. If you choose a soapstone top and shelf you get an extra moment of pleasant heat.

<b>Output</b>	<b>6 kW</b>
<b>Efficiency</b>	<b>79%</b>
<b>Heats</b>	<b>up to 150 m<sup>2</sup></b>
<b>Height</b>	<b>1200 mm</b>
<b>Width</b>	<b>555 mm</b>
<b>Depth</b>	<b>480 mm</b>
<b>Weight</b>	<b>150 kg</b>
<b>Colour</b>	<b>Black, grey</b>
<b>Max. log length</b>	<b>36 cm</b>

## A large room needs a powerful stove

The basic model in the 600 range is an efficient stove in painted metal with a larger firebox and greater output than the 500 range. This means that the actual stove and glass door are bigger, likewise the fire experience. With the wood being close to hand, the fire can be kept going easily and the heat retained.

<b>Output</b>	<b>6 kW</b>
<b>Efficiency</b>	<b>79%</b>
<b>Heats</b>	<b>up to 150 m<sup>2</sup></b>
<b>Height</b>	<b>1200 mm</b>
<b>Width</b>	<b>555 mm</b>
<b>Depth</b>	<b>480 mm</b>
<b>Weight</b>	<b>150 kg</b>
<b>Colour</b>	<b>Black, grey</b>
<b>Max. log length</b>	<b>36 cm</b>

- 650
- 655
- 655A

# CONTURA 655



Select options: Cast iron, steel disc or soapstone top, warming shelf in steel or soapstone, baking oven, fan, hotplate, drawer (cannot be combined with fan), base plate, turntable, floor protector of glass or sheet metal, outside air connection, chimney.

CONTURA 660T



Select options: Soapstone warming shelf, baking oven, fan, convection front, hotplate, drawer (cannot be combined with fan), base of sheet metal or soapstone, turntable, floor protector of glass or sheet metal, outside air connection, chimney.

## Large houses need maximum heat for longer

Soapstone stoves are suitable for those who need to heat large areas. Thanks to the excellent heat retention properties of the stove the heat remains long after you have gone to bed.

Output	6 kW
Efficiency	79%
Heats	up to 150 m <sup>2</sup>
Height	1220 mm
Width	590 mm
Depth	510 mm
Weight	270 kg
Colour	Black, grey
Max. log length	36 cm

CONTURA 660K



660T

660K

Select options: Tiled warming shelf, fan, convection front, baking oven, hotplate, drawer (cannot be combined with fan), base of sheet metal or soapstone, turntable, floor protector of glass or sheet metal, outside air connection, chimney.

## A tiled stove for large warm homes

The 600 range also includes the tiled stove for the present day. It has been designed to blend in to large rooms and open-plan areas where it matches a tiled kitchen. A tiled top enhances the feeling of a tiled stove.

Output	6 kW
Efficiency	79%
Heats	up to 150 m <sup>2</sup>
Height	1220 mm
Width	590 mm
Depth	510 mm
Weight	190 kg
Colour	Black, grey
Tiles	White, sand
Max. log length	36 cm

## Grandeur that takes up little space

The Contura 700 series is characterised by a modern soft-lined and narrow shape that makes it easy to position. There are many series variations, choose with or without side glass, high or low base, pillars and several exciting casing materials. Of course, you can choose heat-retaining powerstone, storage door in the same material as the stove casing and much more. The door's large expanse of glass does the fire justice.

The Contura 790K in the image is fully clad in attractive satin matt, black tiles.

Output	5 kW
Efficiency	80 %
Heats	up to 120 m <sup>2</sup>
Height	1600 mm
Width	550 mm
Depth	430 mm
Weight	170 kg
Colour	Black, grey
Max. log length	33 cm



**Select options:** Heat storage (can not be combined with fan), soft closing door in tile, floor protector in glass or sheet metal, outside air connection.

CONTURA 790K, black

# CONTURA 780



Select options: Turntable, soft-close door, floor protector in glass or sheet metal, outside air connection, chimney.

## Fire for a new generation

We have pushed the boundaries of modern stove design with the Contura 700 range.

The contemporary design, by the renowned Swedish design group Myra, makes the stove an obvious focal point in all rooms - without taking up much floor space. Place the stove on a pillar and see even more of the already widely visible fire.

<b>Output</b>	<b>5 kW</b>
<b>Efficiency</b>	<b>80%</b>
<b>Heats</b>	<b>120 m<sup>2</sup></b>
<b>Height</b>	<b>1200 mm</b>
<b>Width</b>	<b>459 mm</b>
<b>Depth</b>	<b>372 mm</b>
<b>Weight</b>	<b>103 kg</b>
<b>Colour</b>	<b>Black, grey</b>
<b>Max. log length</b>	<b>30 cm</b>

# CONTURA 750



Select options: Soft-close storage door, floor protector in glass or sheet metal, outside air connection, chimney.

STORAGE BEHIND A SOFT-CLOSE DOOR

## For those who want to stand out

Aluminium gives a really interesting contrast to the glow of the flames. If you want something that feels trendy not just now but for many years to come Contura 750A is an obvious choice. Both sides and rear are clad in aluminium which makes it even more attractive for positioning in the middle of the room.

<b>Output</b>	<b>5 kW</b>
<b>Efficiency</b>	<b>80%</b>
<b>Heats</b>	<b>up to 120 m<sup>2</sup></b>
<b>Height</b>	<b>1151 mm</b>
<b>Width</b>	<b>459 mm</b>
<b>Depth</b>	<b>372 mm</b>
<b>Weight</b>	<b>103 kg</b>
<b>Colour</b>	<b>Black, grey</b>
<b>Max. log length</b>	<b>30 cm</b>



## Let the stove shine

A high mounted firebox and very generous glass areas make this stove the burning heart of your home, wherever it is.

750

750A

780

<b>Output</b>	<b>5 kW</b>
<b>Efficiency</b>	<b>80%</b>
<b>Heats</b>	<b>up to 120 m<sup>2</sup></b>
<b>Height</b>	<b>1151 mm</b>
<b>Width</b>	<b>459 mm</b>
<b>Depth</b>	<b>372 mm</b>
<b>Weight</b>	<b>103 kg</b>
<b>Colour</b>	<b>Black, grey</b>
<b>Max. log length</b>	<b>30 cm</b>

# CONTURA 750A



Select options: Soft-close storage door, floor protector in glass or sheet metal, outside air connection, chimney.





CONTURA 790K, white high gloss



Select options: Heat storage (can not be combined with fan), soft-closing door in tile, floor protector in glass or sheet metal, outside air connection.

## Let the fire take place

High-gloss white tiles give Contura 790K a modern yet classical surround. Add a heat tank for even longer lasting heat. Contura 790K is also available in silk matt, black tiles, see page 61. See efficiency tests on page 103.

<b>Output</b>	<b>5 kW</b>
<b>Efficiency</b>	<b>80%</b>
<b>Heats</b>	<b>120 m<sup>2</sup></b>
<b>Height</b>	<b>1600 mm</b>
<b>Width</b>	<b>550 mm</b>
<b>Depth</b>	<b>430 mm</b>
<b>Weight</b>	<b>320 kg</b>
<b>Colour</b>	<b>Black, grey</b>
<b>Max. log length</b>	<b>35 cm</b>

CONTURA 790T



Select options: Heat storage (can not be combined with fan), soft-closing door in tile, floor protector in glass or sheet metal, outside air connection.

## With natural heating

Contura 790T is fully clad in natural heat retaining soapstone. The soapstone has distinctive veining with natural variations that makes each stove unique. Choose power-stone heat tank for extra long post heat or fan for excellent heat distribution. See efficiency tests on page 103.

<b>Output</b>	<b>5 kW</b>
<b>Efficiency</b>	<b>80%</b>
<b>Heats</b>	<b>120 m<sup>2</sup></b>
<b>Height</b>	<b>1600 mm</b>
<b>Width</b>	<b>550 mm</b>
<b>Depth</b>	<b>430 mm</b>
<b>Weight</b>	<b>250 kg</b>
<b>Weight with heat storage</b>	<b>320 kg</b>
<b>Color</b>	<b>Black, grey</b>
<b>Max. log length</b>	<b>35 cm</b>

## A large stove in compact form

Contura 800 has taken its inspiration from the famous superellipse. The shape makes this stove compact and attractive, it is only 36 cm deep and 46 cm wide making it very easy to position, even in small spaces. Thanks to its excellent shape, we have been able to add generous areas of glass without losing efficiency in the firebox.

Contura 800 can be chosen with or without side glass, fully or partially clad in natural heat retaining soapstone, with or without storage. It can even be placed on a pillar with turntable so the fireplace is in the centre of the room.

Output	5 kW
Efficiency	82%
Heats	90 m <sup>2</sup>
Height	915 mm
Width	460 mm
Depth	360 mm
Weight	85 kg
Colour	Black, grey
Max. log length	30 cm



CONTURA 850

**Accessories:** Soft-close door, self-closing door, floor protection in glass or steel, outdoor air connection.

## CONTURA 810



**Accessories:** Soft-close door, self-closing door, floor protection in glass or steel, outdoor air connection.

### A little shining star

The base model of the range is available in grey and black with a generous glass area in the door. The chimney can be connected to the top or rear of the stove on all models.

<b>Output</b>	<b>5 kW</b>
<b>Efficiency</b>	<b>82%</b>
<b>Heats</b>	<b>90 m<sup>2</sup></b>
<b>Height</b>	<b>915 mm</b>
<b>Width</b>	<b>460 mm</b>
<b>Depth</b>	<b>360 mm</b>
<b>Weight</b>	<b>75 kg</b>
<b>Colour</b>	<b>Black, grey</b>
<b>Max. log length</b>	<b>30 cm</b>

ADJUSTABLE FEET ENSURE THE STOVE IS LEVEL ON UNEVEN FLOORS.

## CONTURA 860T



**Accessories:** Soft-close door, self-closing door, floor protection in glass or steel, outdoor air connection.

### The fire can be seen from distance

Contura 860T combines form and function in the perfect way: the generous side glass areas mean that the fire is visible throughout the whole room (and far beyond!) while the soapstone clad back retains the heat long after the embers have died.

<b>Output</b>	<b>5 kW</b>
<b>Efficiency</b>	<b>82%</b>
<b>Heats</b>	<b>90 m<sup>2</sup></b>
<b>Height</b>	<b>930 mm</b>
<b>Width</b>	<b>460 mm</b>
<b>Depth</b>	<b>360 mm</b>
<b>Weight</b>	<b>110 kg</b>
<b>Colour</b>	<b>Black, grey</b>
<b>Max. log length</b>	<b>33 cm</b>

810

820T

860T

880

### A powerful jewel

The ellipse shaped Contura 820T with soapstone is small in form, but mighty in function. With sides clad in heat retaining soapstone, the unique veined stone makes a wonderful contrast to the flames behind the generous glass in the door.

<b>Output</b>	<b>5 kW</b>
<b>Efficiency</b>	<b>82%</b>
<b>Heats</b>	<b>90 m<sup>2</sup></b>
<b>Height</b>	<b>930 mm</b>
<b>Width</b>	<b>460 mm</b>
<b>Depth</b>	<b>360 mm</b>
<b>Weight</b>	<b>125 kg</b>
<b>Colour</b>	<b>Black, grey</b>
<b>Max. log length</b>	<b>30 cm</b>

## CONTURA 820T



**Accessories:** Soft-close door, self-closing door, floor protection in glass or steel, outdoor air connection.

### For those who want to stand out

The pillar mounted stove allows the fire to be seen even better in the room. A turntable allows the stove to be turned smoothly all the way around (option).

<b>Output</b>	<b>5 kW</b>
<b>Efficiency</b>	<b>82%</b>
<b>Heats</b>	<b>90 m<sup>2</sup></b>
<b>Height</b>	<b>1060 mm</b>
<b>Width</b>	<b>460 mm</b>
<b>Depth</b>	<b>360 mm</b>
<b>Weight</b>	<b>90 kg</b>
<b>Colour</b>	<b>Black, grey</b>
<b>Max. log length</b>	<b>33 cm</b>

DIRECT THE FIRE TOWARDS THE SEATING AREA USING THE TURNABLE!

## CONTURA 880



**Accessories:** Floor protection in glass or steel, outdoor air connection, turntable.

## Give Contura a personal touch

You have probably realised that Contura's basic models satisfy most tastes. You may have found your own favourite. Now it is time to choose the options! Thanks to our ingenious, Smålander designs it is possible to make a completely personal Contura that meets your needs.

Contura has accessories for economy: A fan that increases the efficiency.

Contura has accessories for organisation: You can gather lighter kindling and gloves in a practical drawer.

Contura has accessories for aesthetics: How do you want to top your Contura? With soapstone, steel plate or cast iron?

Here you can read more about baking ovens, the turntable, floor protectors and the other accessories system that fits both Contura and your house.



Turntable



Soft-close door



Drawer



Baking oven



Keep the tea warm on a hotplate  
Read about hotplates in the next section



Let the fire spin all the way around!  
Read about turntables in the next section



Gather the logs in an attractive and practical basket.

## Heat can be used for many things

Several of our models can be supplemented with a fan that gives an extra kick to the heat. A baking oven or soapstone top is an energy saving complement to the usual hob and oven.

DIFFERENT TYPES OF FLOOR PROTECTOR ARE AVAILABLE FOR ALL OUR STOVES

# Options for comfort and function

Here is an overview of options that increase the benefits and pleasure of using your stove. The complete range of options can be found at [www.contura.eu](http://www.contura.eu). Bear in mind that certain options cannot be combined on all models.



**Steel disc top.** The 5 mm thick plates give your stove a contemporary look while improving heat circulation.



**Cast iron top.** The cast iron top can act as a hotplate. Practical for heating food, in the event of a power cut for example.



**Soapstone top.** Each piece of soapstone is unique in its beautiful veining. The stone retains heat for a long time and also acts as a hotplate.



**Warming shelf.** Tea can be kept warm on a soapstone warming shelf. The warming shelf is also available for models without soapstone.



**Cast iron hot plate.** Perfect for when you want to use the stove to heat up food and drink.



**Baking oven.** The size of the baking oven depends on the stove it belongs to. It gets as hot as a normal oven. Thermometer included.



**Turntable.** Stepless rotation through 360 degrees. The turning angle and the speed of rotation are adjustable. Suitable for all Contura 500 and 600.



**Soft-close door.** Store logs, matches and protective gloves behind a matching, soft-closing door.



**Floor protection.** Our practical floor protectors are available in black or grey sheet metal or transparent, toughened glass. In addition to being attractive and protecting the floor they are easy to remove for cleaning.



**Fan.** Distributes the heat quickly and provides a more even temperature. It is thermostat-controlled and starts when the fire is lit and stops when the fire has gone out. Easy to install and can also be retrofitted.



**Drawer.** With a practical and integrated drawer you always know where the matches and protective gloves are.



**Heat tank.** The olivine heat tank is concealed in the stove top and retains the heat for a long time. In the models of the 500 and 30 ranges the heat tank cannot be combined with the fan.



**Log box.** A practical compartment under the stove which keeps the logs in order is standard on several models.



**Log basket.** Choose from our log baskets – we have several models for different styles.



**Tools.** With practical tools it is easy to keep the logs in the fire in order and to remove the ash.

# Overview – all options

	26K/T low	26K/T high	34T	35	35T	51	52	52T	53	54	54T	450	450T	470	480	510	520T
Connection outdoor air (not for turntable) Aluminium hose and condensation protection, length 1,000 mm, transfer connector from Ø64 mm to Ø100 mm, hose clips	•	•	•	•	•	•	•	•	•	•	•	•	•	•	•	•	•
Connection outdoor air to turntable																•	•
Connection kit for existing chimney! Connection kit straight back	•	•	•	•	•	•	•	•	•	•	•	•	•	•	•	•	•
Connection kit for existing chimney! Connection kit 45° back	•	•	•	•	•	•	•	•	•	•	•	•	•	•	•	•	•
Baking oven	•																
Bowed connection pipe 320 mm with soot door, grey or black						•	•	•	•	•	•					•	•
Bowed connection pipe 700 mm with soot door, grey or black	•					•	•	•	•	•	•				•	•	•
Glass hearth plate, front model	•	•	•	•	•											•	•
Glass hearth plate, full coverage model	•	•	•	•	•							•	•	•	•	•	•
Extra handle matt chrome or black						•	•	•	•	•	•						
Additional side glass (for corner installation, per complete pair)												•	•	•	•		
Fan with automatic <sup>2</sup> , 230 V	•	•	• <sup>2</sup>	• <sup>2</sup>	• <sup>2</sup>							•	•	•	•	•	•
Floor plate, grey or black	•	•	•	•	•	•	•	•	•	•	•	•	•	•	•	•	•
Floor plate, white												•	•				
Hotplate (suitable only for rear connection)						•	•	•	•	•	•					•	•
Lower soft closing base door, low (no additional charge)																	
Lower soft closing base door, high (standard)																	
Lower soft closing base door																	
Soft closing base door in tile																	
Soft closing base door in soapstone																	
Soft closing high base door in soapstone																	
Self-closing glass door																	
Pipe kit for high angle												•	•	•			
Tiled base																	
Soapstone base Base made from sandstone																	
Base plate (aluminium)																	
Base plate (can be used to cover outdoor air)																	
Cover for outside air connection						•	•	•	•								
Extension piece, soapstone, height 407 mm, max. 3																	
Drawer (not suitable for use with a fan)																	
Turntable incl. rotating collar																	
Heat tank <sup>2</sup>	•	• <sup>2</sup>	• <sup>2</sup>	• <sup>2</sup>													

	586	590	590T	620T	620S	630	630T	635	650	655	655A	660K	660T	750	750A	780	790K	790T	810	820T	850	860T	880	
Connection outdoor air (not for turntable) Aluminium hose and condensation protection, length 1,000 mm, transfer connector from Ø64 mm to Ø100 mm, hose clips	•	•	•	•	•	•	•	•	•	•	•	•	•	•	•	•	•	•	•	•	•	•	•	•
Connection outdoor air to turntable	•	•	•	•	•	•	•	•	•	•	•	•	•			•								•
Connection kit for existing chimney! Connection kit straight back	•	•	•	•	•	•	•	•	•	•	•	•	•	•	•	•	•	•	•	•	•	•	•	•
Connection kit for existing chimney! Connection kit 45° back	•	•	•	•	•	•	•	•	•	•	•	•	•	•	•	•	•	•	•	•	•	•	•	•
Baking oven				•	•				•	•	•	•	•											
Bowed connection pipe 320 mm with soot door, grey or black	•			•	•	•	•	•	•	•	•	•	•	•	•	•	•	•	•	•	•	•	•	•
Bowed connection pipe 700 mm with soot door, grey or black	•	•	•	•	•	•	•	•	•	•	•	•	•	•	•	•	•	•	•	•	•	•	•	•
Glass hearth plate, front model	•	•	•	•	•																			
Glass hearth plate, full coverage model	•	•	•	•	•																			
Extra handle matt chrome or black																								
Additional side glass (for corner installation, per complete pair)																								
Fan with automatic <sup>2</sup> , 230 V	• <sup>2</sup>	• <sup>2</sup>	•	•	• <sup>2</sup>	• <sup>2</sup>	• <sup>2</sup>	• <sup>2</sup>	•	•	•	•	•	•	•	•	•	•	•	•	•	•	•	•
Floor plate, grey or black	•	•	•	•	•	•	•	•	•	•	•	•	•	•	•	•	•	•	•	•	•	•	•	•
Floor plate, white																								
Hotplate (suitable only for rear connection)	•			•	•				•	•	•	•	•											
Lower soft closing base door, low (no additional charge)		•	•																					
Lower soft closing base door, high (standard)		•	•																					
Lower soft closing base door																								
Soft closing base door in tile																								
Soft closing base door in soapstone																								
Soft closing high base door in soapstone				•																				
Self-closing glass door																								
Pipe kit for high angle																								
Tiled base																								
Soapstone base Base made from sandstone				•	•																			
Base plate (aluminium)																								
Base plate (can be used to cover outdoor air)				•	•																			
Cover for outside air connection																								
Extension piece, soapstone, height 407 mm, max. 3																								
Drawer (not suitable for use with a fan)																								
Turntable incl. rotating collar	•	•	•	•	•	•	•	•	•	•	•	•	•	•	•	•	•	•	•	•	•	•	•	•
Heat tank <sup>2</sup>	• <sup>2</sup>	• <sup>2</sup>																						

<sup>1</sup> All connection kits include a flue collar, sealing materials and a seal cover.  
<sup>2</sup> NOTE: Fan cannot be used with heat tank.

# Facts about all stoves

Facts about all the stoves are gathered here, model by model so that you can plan your choice. Using the dimensions diagrams you can measure exactly how the fireplace can be positioned.



## Swan marked

Contura is Swan labelled in accordance with SIS Miljömärkning AB. Stringent requirements are placed on the manufacture and use of Swan labelled stoves. Therefore, the product can be recycled without the spread of toxic substances. A Swan labelled stove is CO<sub>2</sub> neutral, because the carbon dioxide produced during the efficient combustion of bioenergy is taken up in the corresponding quantity as new trees are growing.

## Safety tested

CE labelling is an important part of EU product legislation and includes construction products, machinery and toys. The CE label certifies that the product meets the most important characteristic, namely, safety. All products made by Contura and Premodul are CE labelled.

## 5-year warranty

When you buy a complete stove from Contura you always get a five-year factory warranty. Good service and parts availability are additional assurances during the service life of the stove.

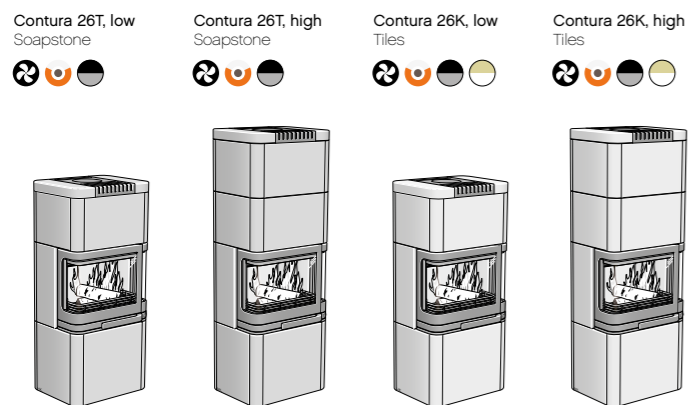


# Overview – all models

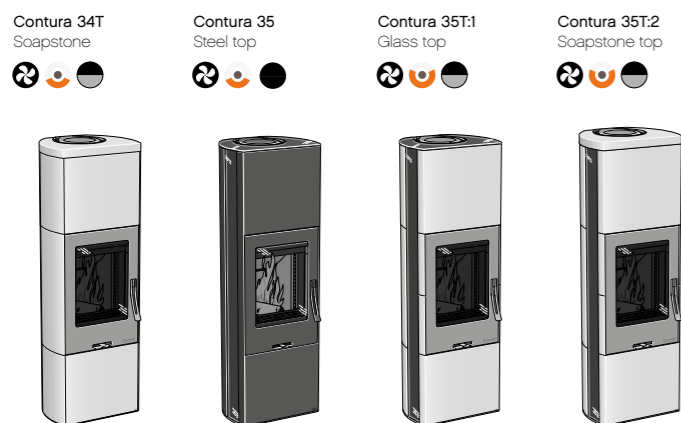
All Contura's stoves can be compared here. For detailed information about flame visibility, measurements, output and options, see the relevant section.

-  Fan
-  Flame visibility
-  The stove is available in black paint
-  The stove is available in grey paint
-  The stove is available in grey and black paint
-  The stove is available in white, grey or black
-  The tiles are available in sand beige or white

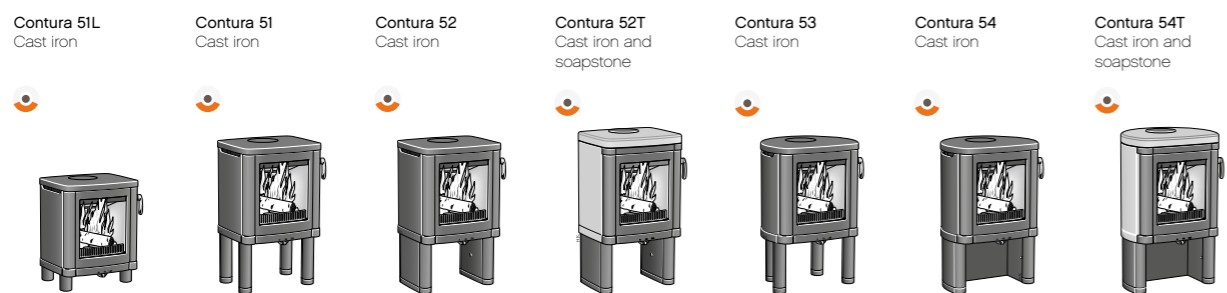
## 26T 26K



## 34T 35 35T

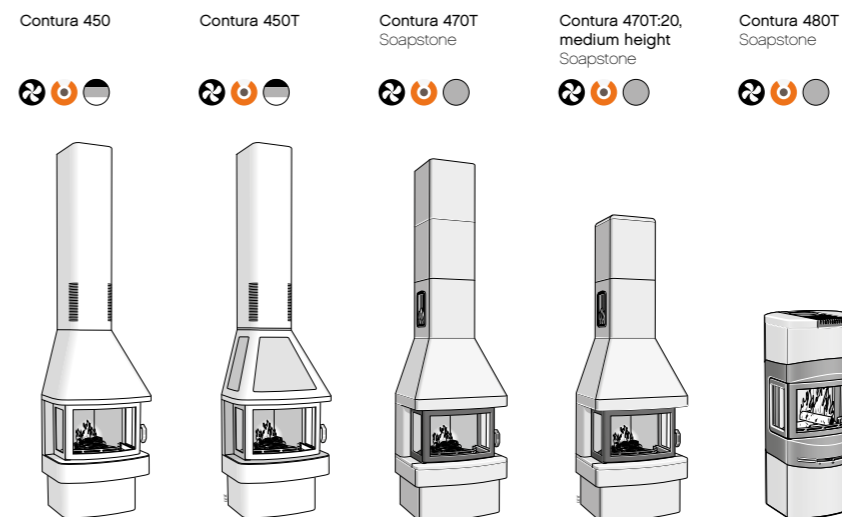


## 51L 51 52 52T 53 54 54T

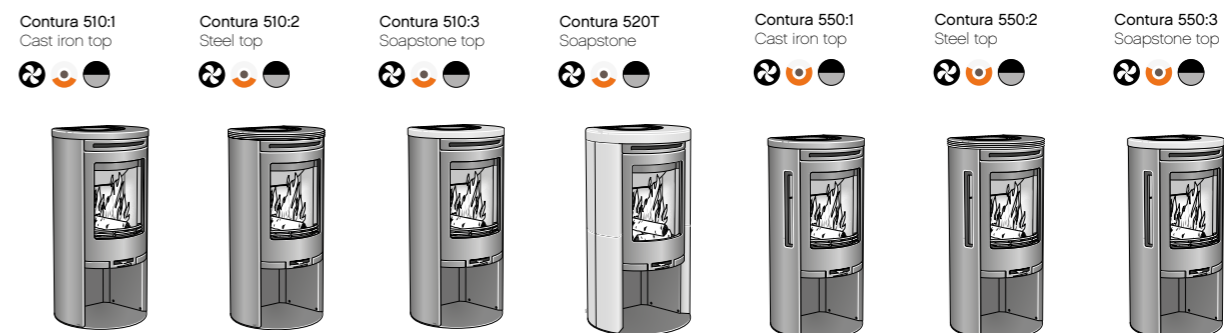


 All Contura stoves are approved according to the Swan's tough standards. Read more on page 20.

## 450 470T 480T



## 510 520T 550



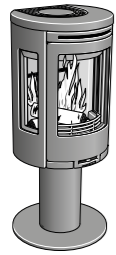
## 550A 556 560K 560T



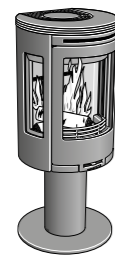


# 586

Contura 586:1  
Cast iron top



Contura 585:2  
Steel top



Contura 586:3  
Soapstone top



# 590

Contura 590:1  
Cast iron top



Contura 590:2  
Steel top



Contura 590:3  
Soapstone top



Contura 590T  
Soapstone



# 620T

Contura 620T:3  
With baking oven



Contura 620T:4  
With soapstone warming shelf



# 620S

Contura 620S:3  
Sandstone with baking oven



Contura 620S:4  
Sandstone with sandstone warming shelf



# 630

Contura 630:1  
Cast iron top



Contura 630:2  
Steel top



Contura 630:3  
Soapstone top



Contura 630T  
Soapstone



Contura 635:1  
Cast iron top



Contura 635:2  
Steel top



Contura 635:3  
Soapstone top



# 650

Contura 650:1  
With steel disc top and steel warming shelf



Contura 650:2  
With steel disc top and baking oven



Contura 650:3  
With steel disc top and soapstone warming shelf



Contura 650:4  
With soapstone top and steel warming shelf



Contura 650:5  
With soapstone top and baking oven



Contura 650:6  
With soapstone top and soapstone warming shelf



Contura 650:7  
With cast iron top and steel warming shelf

















Contura 650:8  
With cast iron top and baking oven



Contura 650:9  
With cast iron top and soapstone warming shelf















# 655

<p><b>Contura 655:1</b> With steel disc top and steel warming shelf</p>  	<p><b>Contura 655:2</b> With steel disc top and baking oven</p>  	<p><b>Contura 655:3</b> With steel disc top and soapstone warming shelf</p>  	<p><b>Contura 655:4</b> With soapstone top and steel warming shelf</p>  	<p><b>Contura 655:5</b> With soapstone top and baking oven</p>  	<p><b>Contura 655:6</b> With soapstone top and soapstone warming shelf</p>  	<p><b>Contura 655:7</b> With cast iron top and steel warming shelf</p>  
---	---	---	--	--	---	--

# 655A

<p><b>Contura 655:8</b> With cast iron top and baking oven</p>  	<p><b>Contura 655:9</b> With cast iron top and soapstone warming shelf</p>  	<p><b>Contura 655A:1</b> With warming shelf in aluminium</p>  	<p><b>Contura 655A:2</b> With baking oven</p>  
---	---	---	--

# 660K

<p><b>Contura 660K:1</b> With convection front</p>  	<p><b>Contura 660K:3</b> With baking oven</p>  	<p><b>Contura 660K:5</b> With tiled warming shelf</p>  	<p><b>Contura 660T:1</b> With convection front</p>  	<p><b>Contura 660T:3</b> With baking oven</p>  	<p><b>Contura 660T:5</b> With soapstone warming shelf</p>  
--	---	---	--	---	--











# 750

# 750A

# 780

# 790K

# 790T

<p><b>Contura 750</b></p>  	<p><b>Contura 750A</b></p>  	<p><b>Contura 780</b></p>  	<p><b>Contura 790K</b> White or Black tiles</p>  	<p><b>Contura 790T</b> Soapstone</p>  
---	--	---	---	--

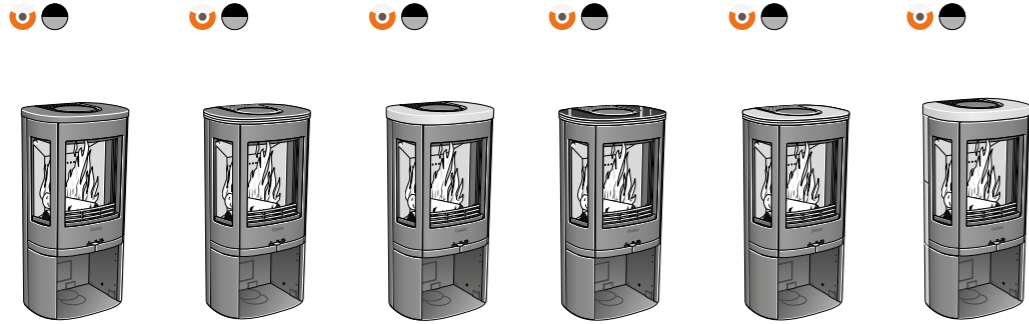
# 810

# 820T

<p><b>Contura 810:1</b> Cast-iron top</p>  	<p><b>Contura 810:2</b> Steel top</p>  	<p><b>Contura 810:3</b> Soapstone top</p>  	<p><b>Contura 810:4</b> Glass top (only available for black stoves)</p>  	<p><b>Contura 810:5</b> Stainless steel top</p>  	<p><b>Contura 820T</b> Soapstone top and sides</p>  
--	--	--	--	--	---

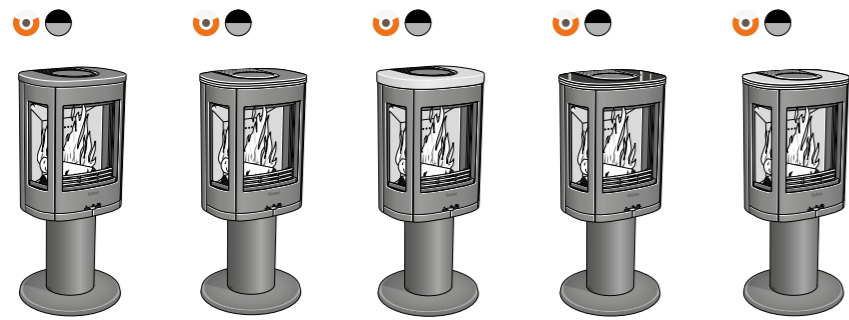
# 850

- Contura 850:1 Cast-iron top
- Contura 850:2 Steel top
- Contura 850:3 Soapstone top
- Contura 850:4 Glass top (only available for black stoves)
- Contura 850:5 Stainless steel top
- Contura 860T Soapstone top and sides



# 880

- Contura 880:1 Cast-iron top
- Contura 880:2 Steel top
- Contura 880:3 Soapstone top
- Contura 880:4 Glass top (only available for black stoves)
- Contura 880:5 Stainless steel top

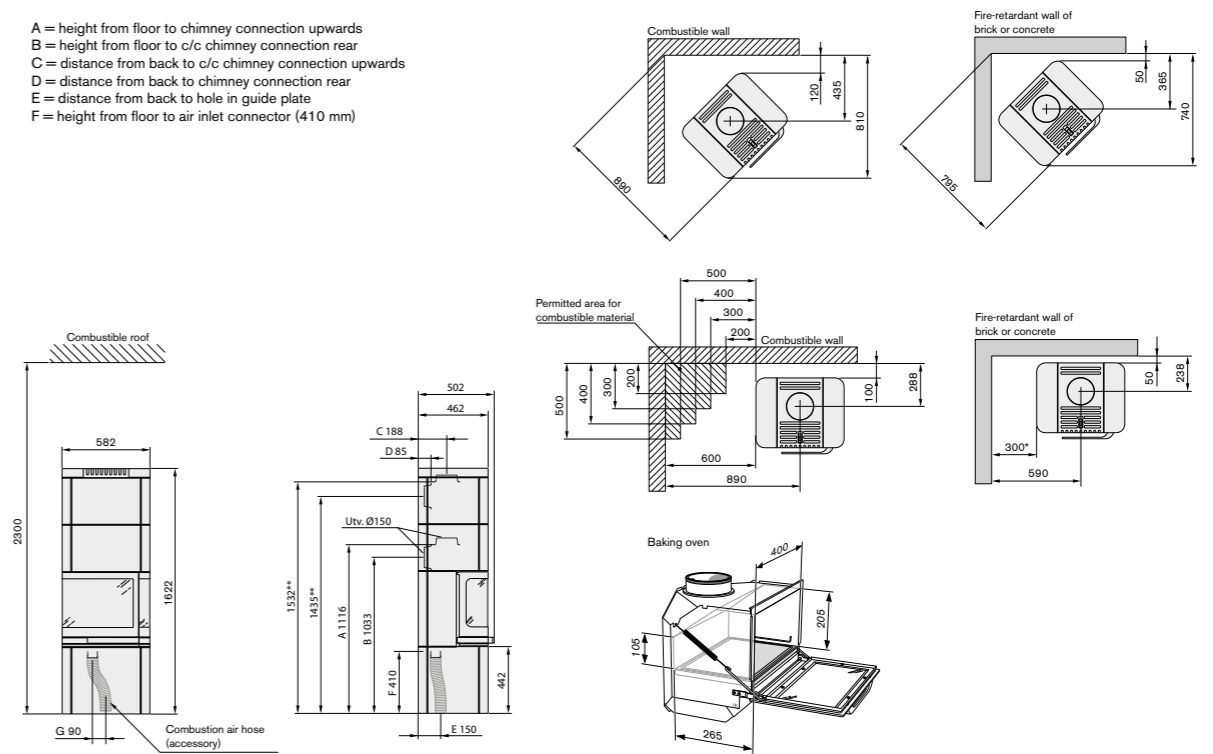


# Dimension diagrams

Detailed dimensions diagrams for all Contura stoves are here so that you can plan positioning and installation.

## 26K high, 26T high

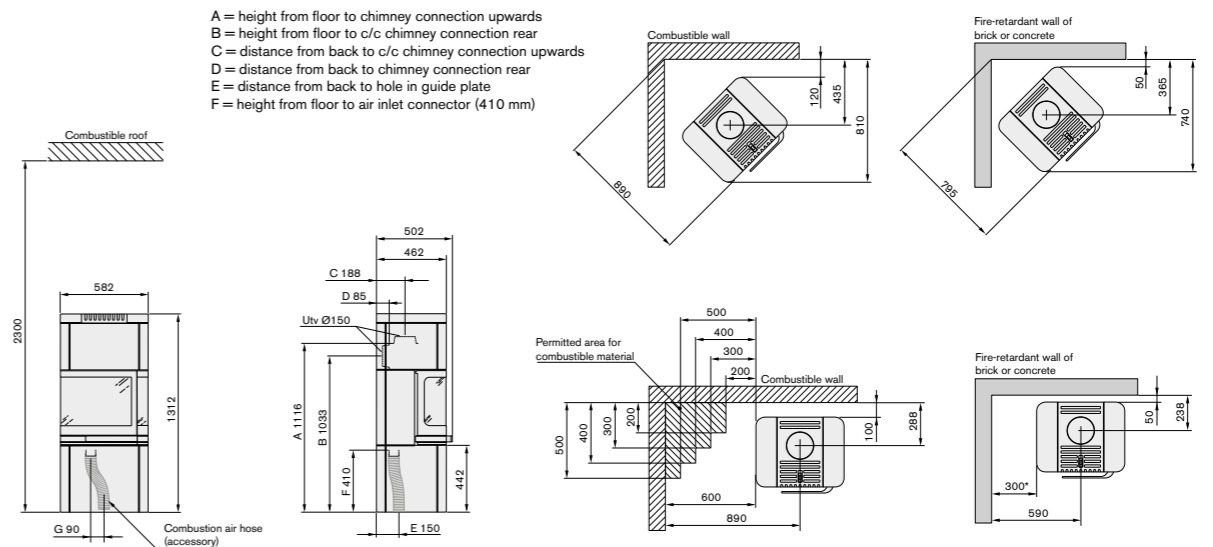
- A = height from floor to chimney connection upwards
- B = height from floor to c/c chimney connection rear
- C = distance from back to c/c chimney connection upwards
- D = distance from back to chimney connection rear
- E = distance from back to hole in guide plate
- F = height from floor to air inlet connector (410 mm)



\* Used with baking oven option \*\* To prevent discolouration of painted non-flammable walls we recommend that the same side distance as to combustible walls is used. When using the 20 series prefabricated hearth plates, observe the different dimensions of combustion air holes in the hearth plate and stove.

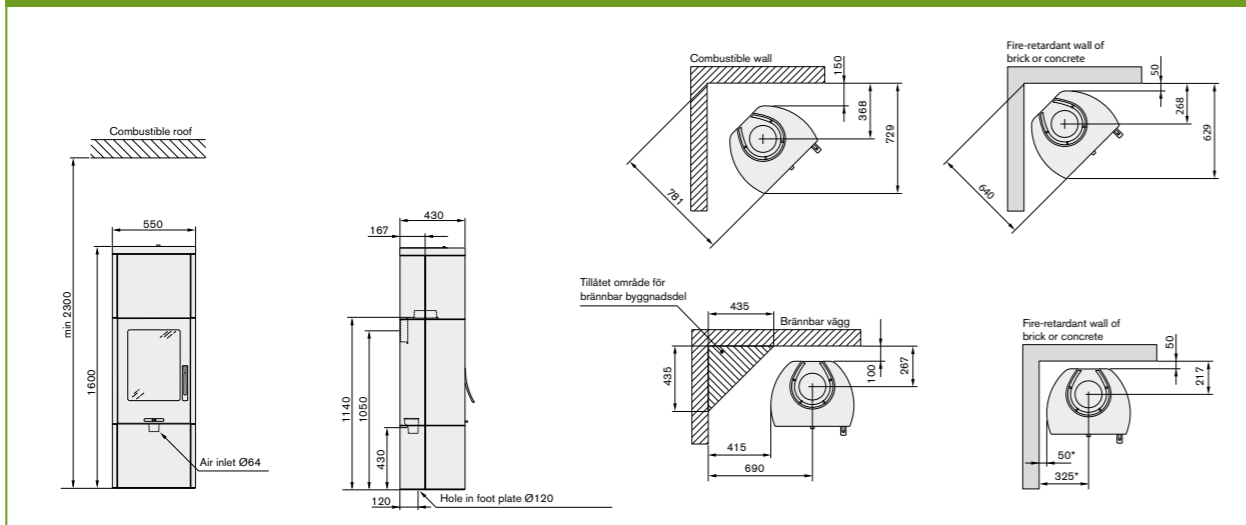
## 26K low, 26T low

- A = height from floor to chimney connection upwards
- B = height from floor to c/c chimney connection rear
- C = distance from back to c/c chimney connection upwards
- D = distance from back to chimney connection rear
- E = distance from back to hole in guide plate
- F = height from floor to air inlet connector (410 mm)



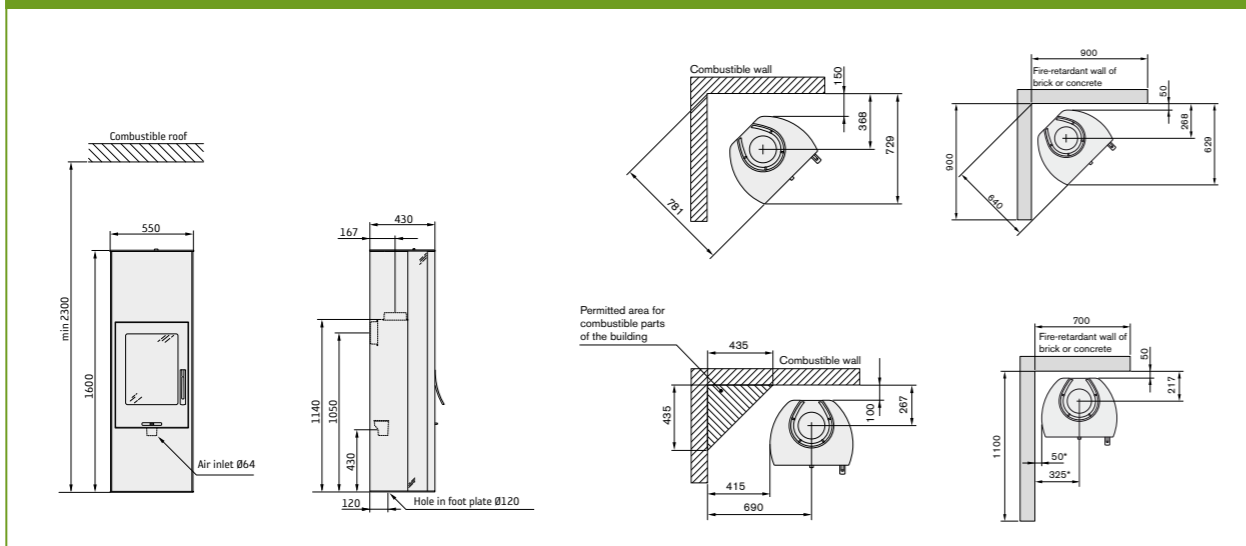
\*\* To prevent discolouration of painted non-flammable walls we recommend that the same side distance as to combustible walls is used. When using the 20 series prefabricated hearth plates, observe the different dimensions of combustion air holes in the hearth plate and stove.

# 34T



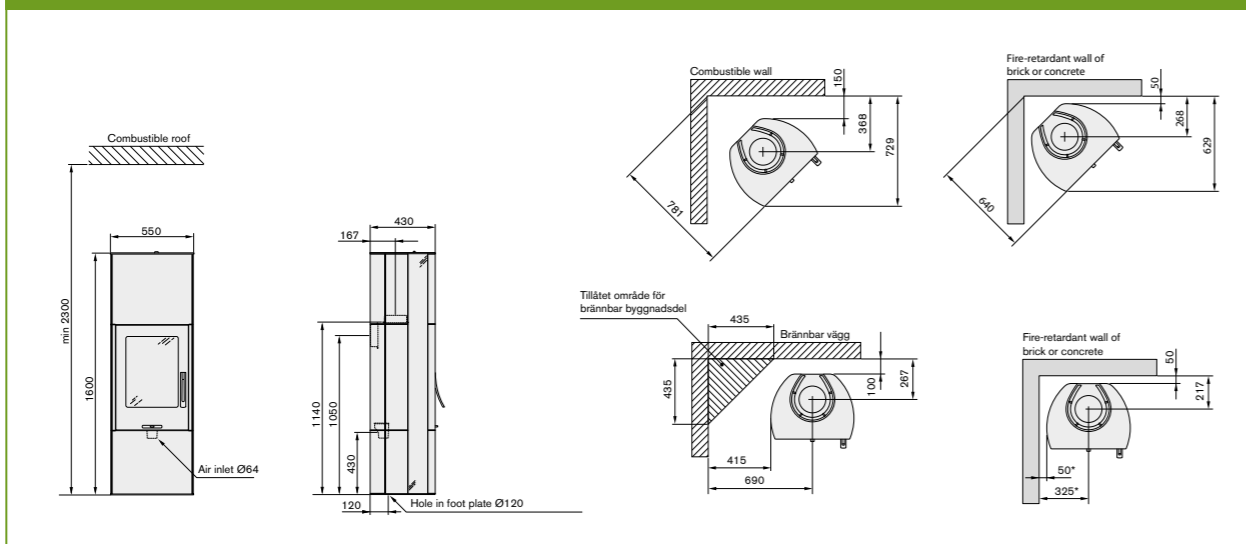
\*To prevent discolouration of painted fire walls, we recommend the same side distance as to combustible walls.

# 35



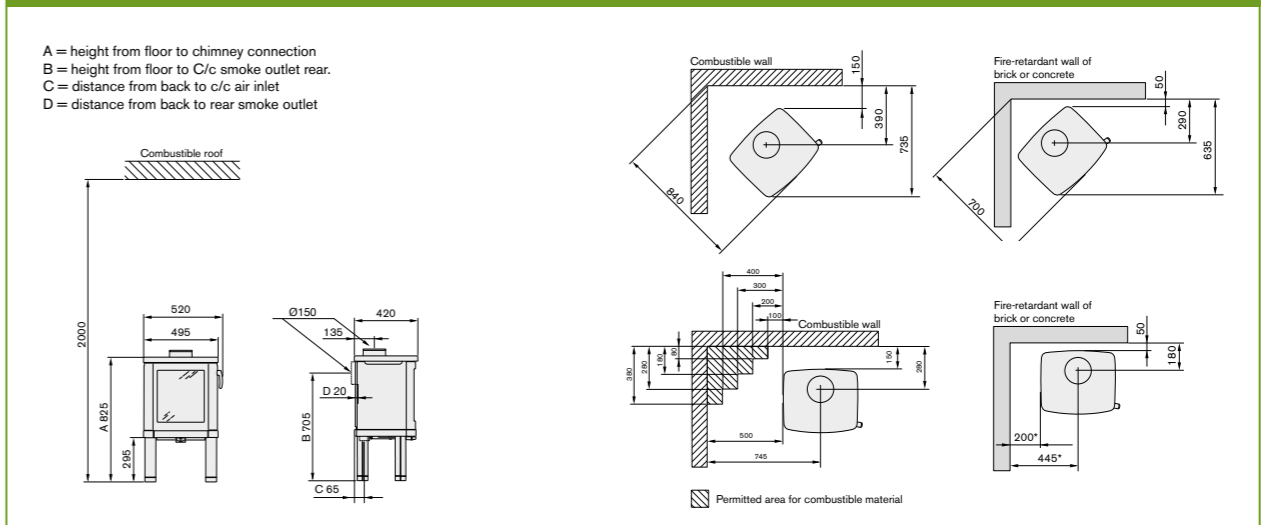
\*To prevent discolouration of painted fire walls, we recommend the same side distance as to combustible walls.

# 35T



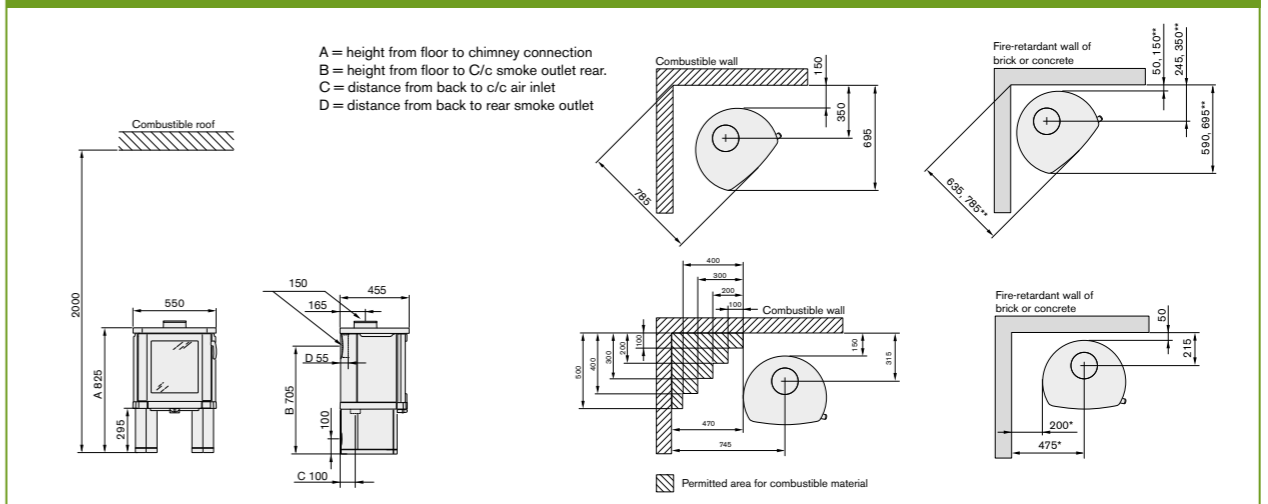
\*To prevent discolouration of painted fire walls, we recommend the same side distance as to combustible walls.

# 51, 52, 52T



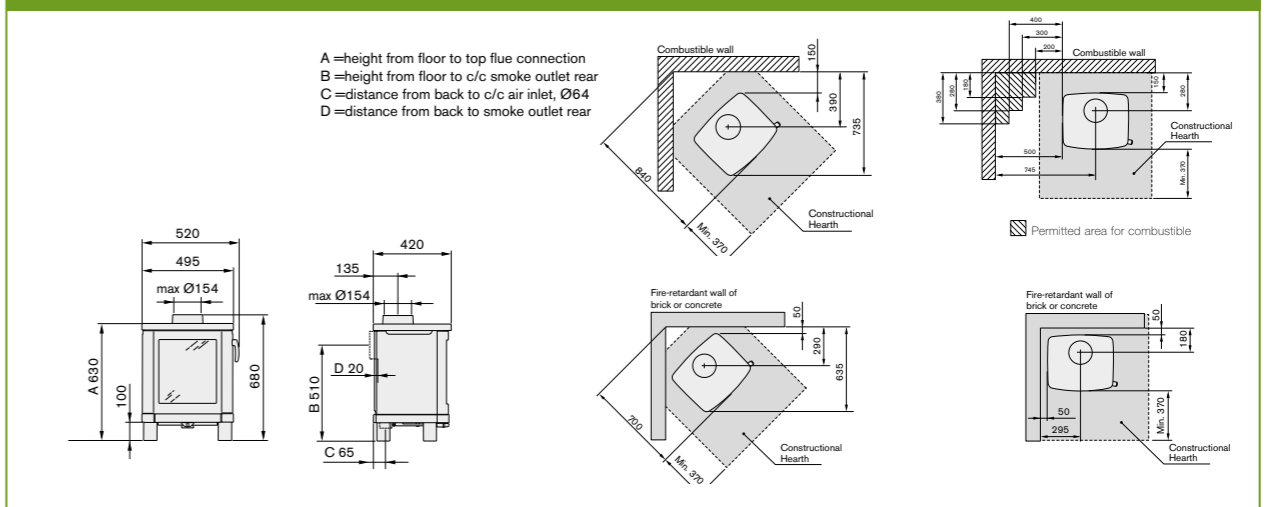
\*To prevent discolouration of painted fire walls, we recommend the same side distance as to combustible walls.

# 53, 54, 54T

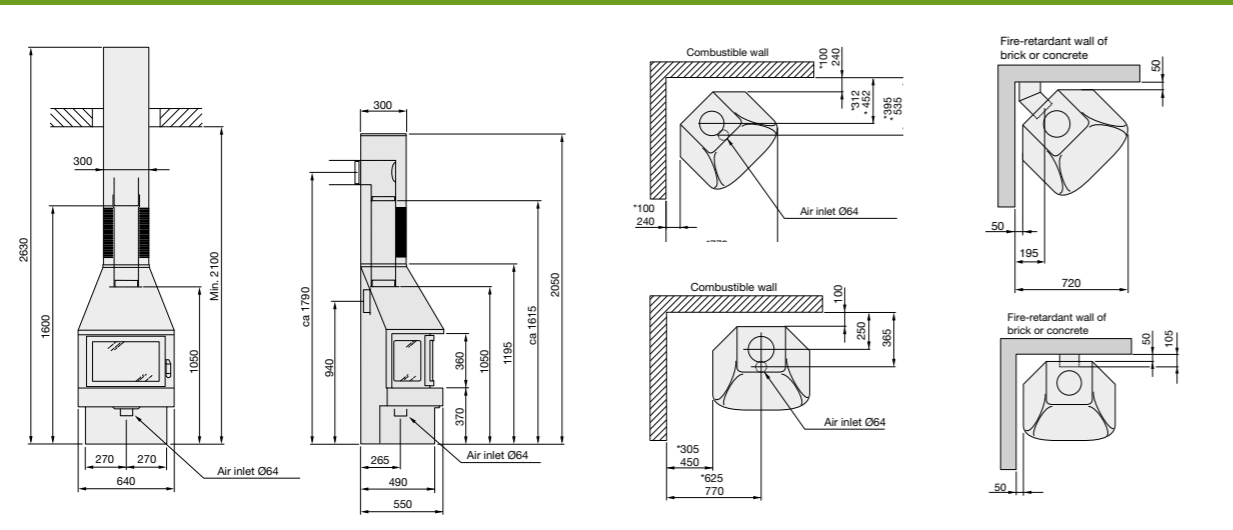


\*To prevent discolouration of painted fire walls, we recommend the same side distance as to combustible walls. \*\* Minimum installation distance when HandØ1 50 floor plate is used, applied both when the combustion air is retrieved from the house and when connected to outdoor air through the floor. If outdoor air is NOT connected through the floor, the stove may be positioned 50 mm from fire walls if Nibe's teardrop shaped floor plate is used.

# 51L

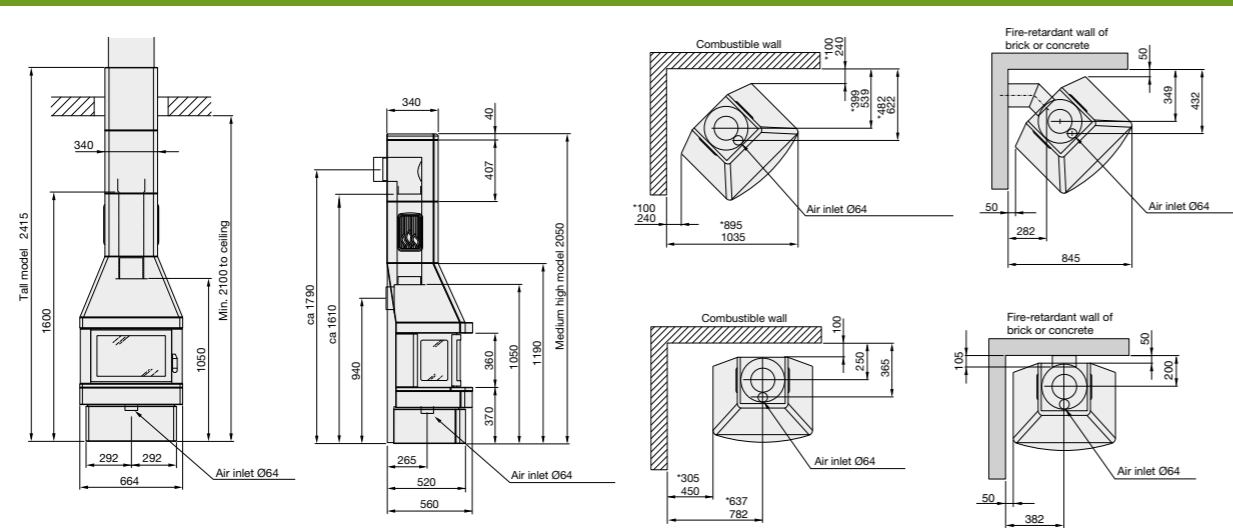


# 450, 450T



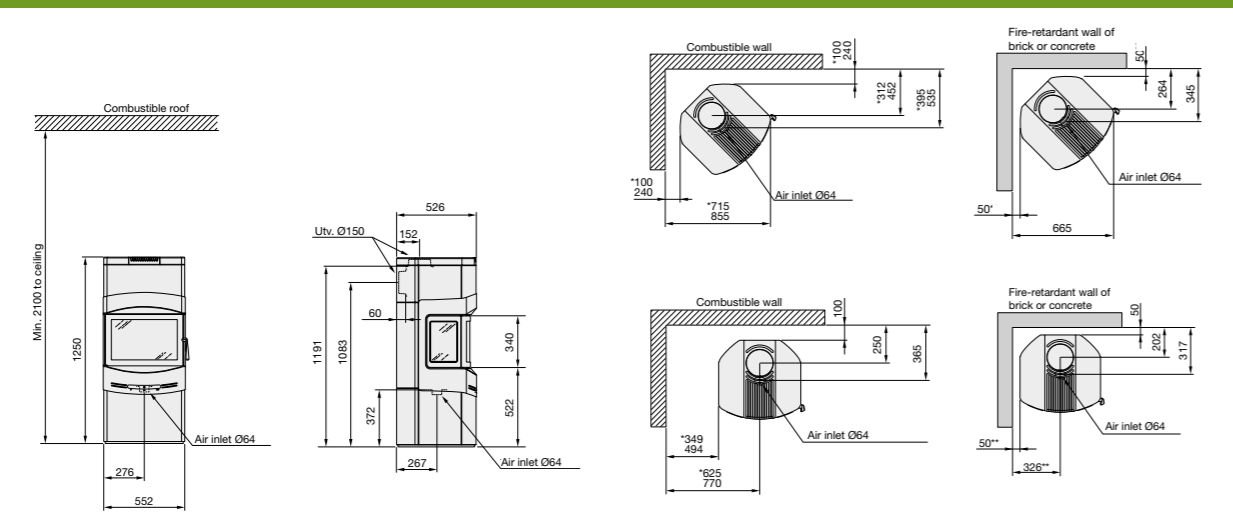
\* Only with extra side glass

# 470T



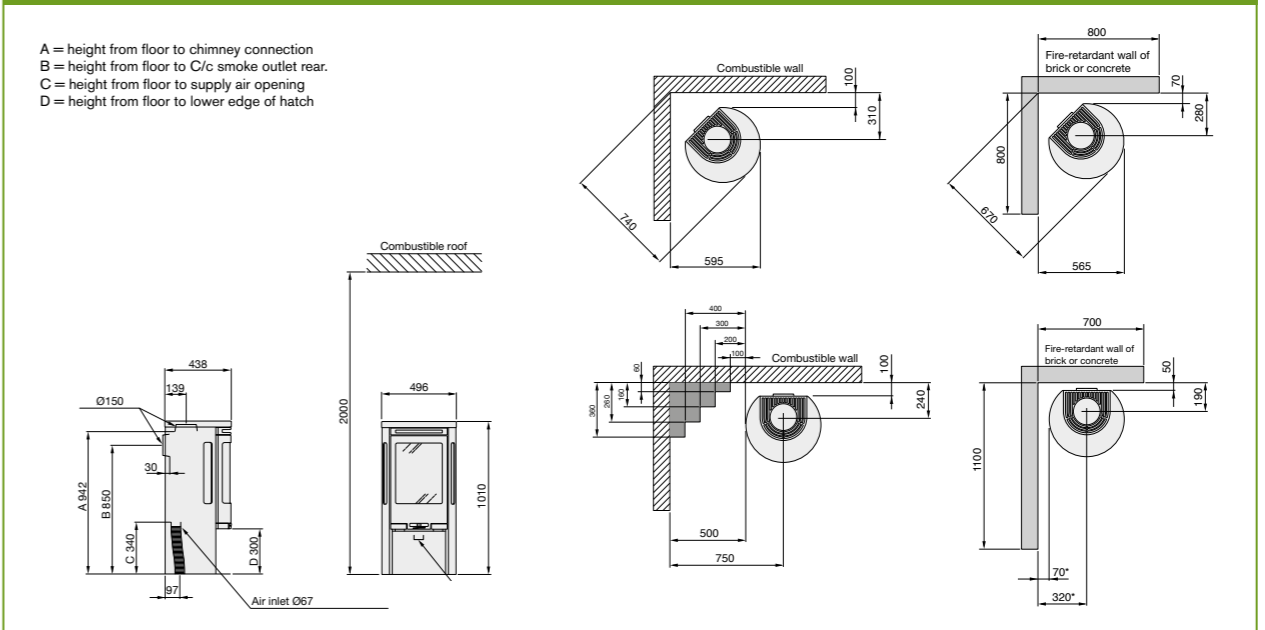
\* Only with extra side glass

# 480T



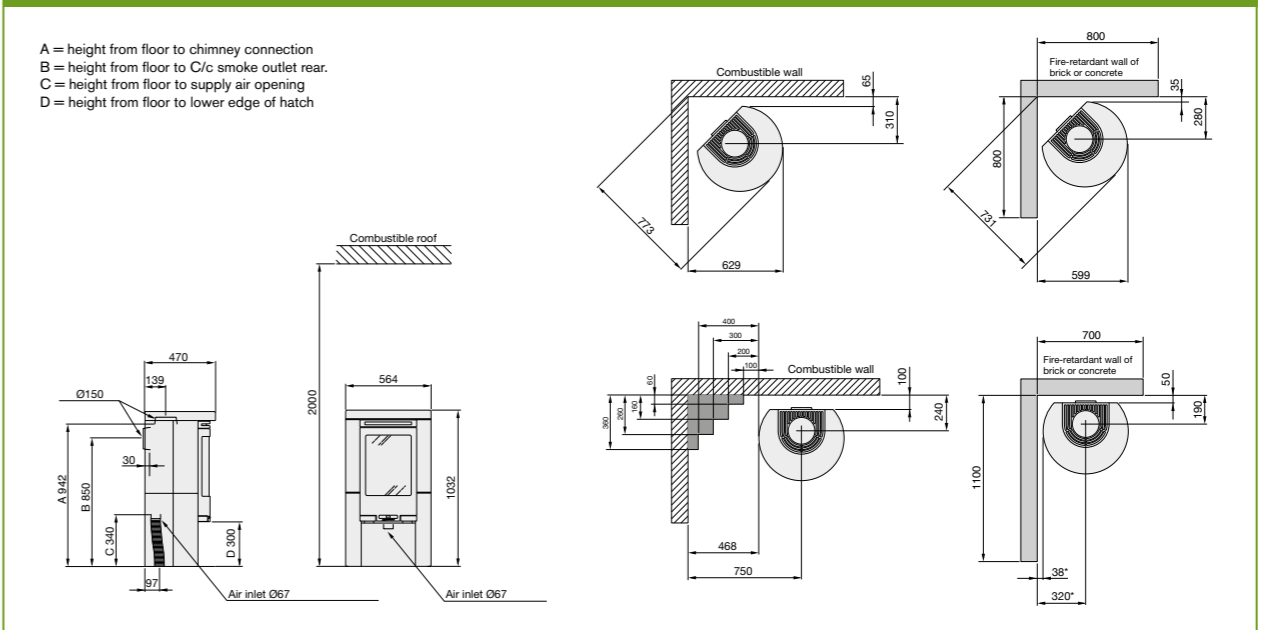
\* Only with extra side glass

# 510, 550, 550A



\* To prevent discolouration of painted non-flammable walls we recommend that the same side distance as to combustible walls is used. Note: If the stove is positioned on a turntable the stated installation distances do not apply. Note: The glass hearth plate increases the distance above the floor by approximately 10 mm.

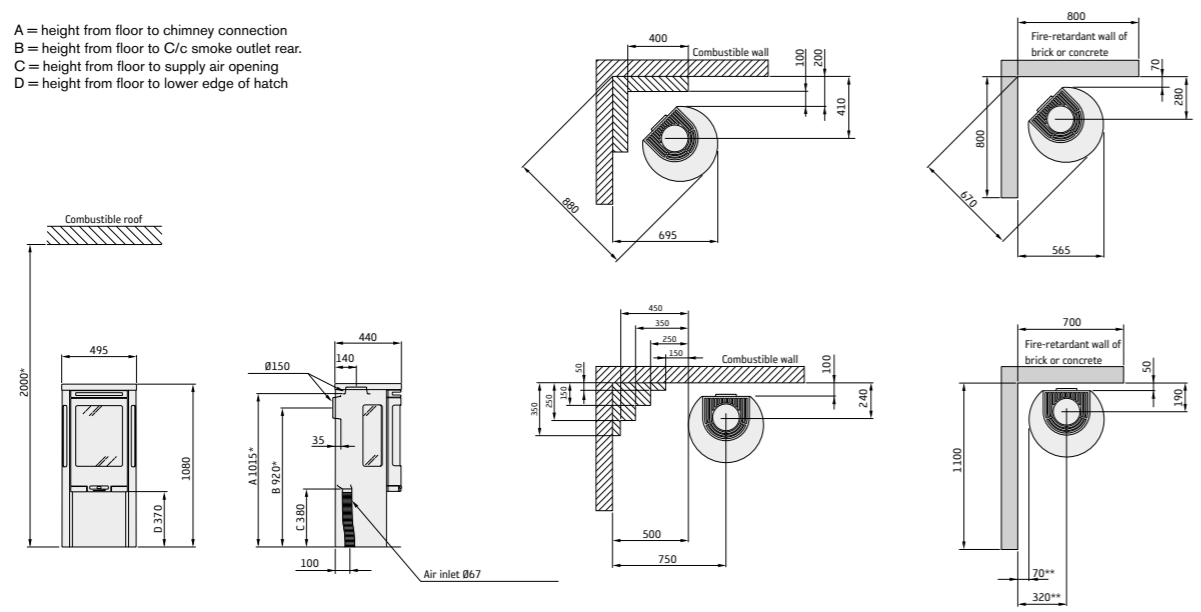
# 520T



\* To prevent discolouration of painted non-flammable walls we recommend that the same side distance as to combustible walls is used. Note: If the stove is positioned on a turntable the stated installation distances do not apply. Note: The glass hearth plate increases the distance above the floor by approximately 10 mm.

# 556

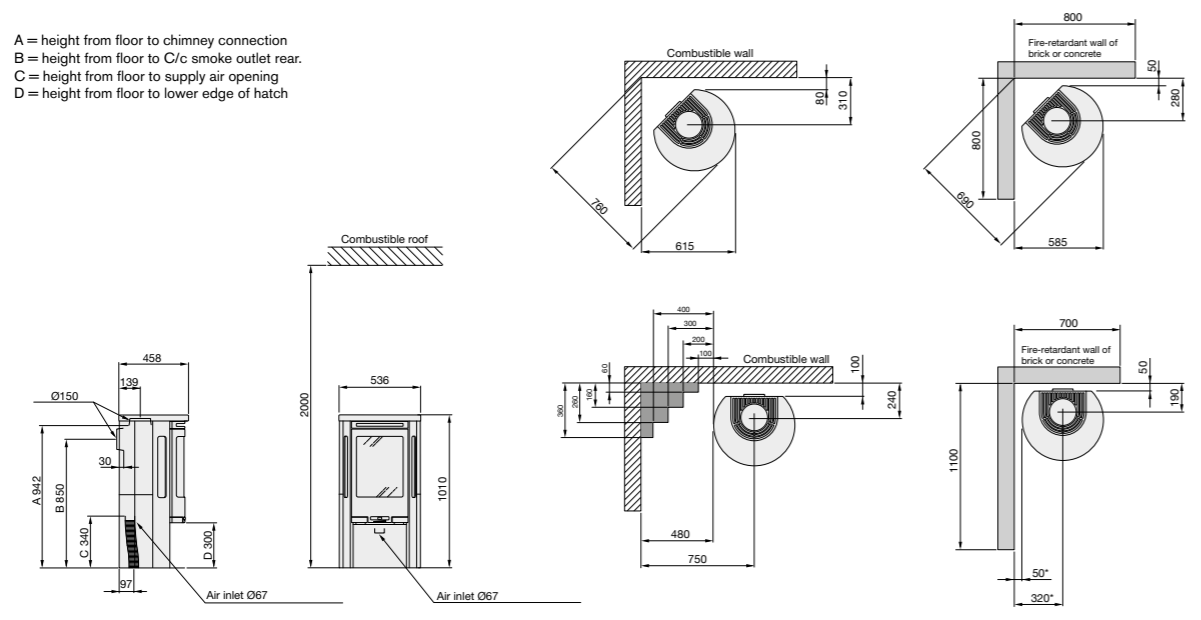
A = height from floor to chimney connection  
 B = height from floor to C/c smoke outlet rear.  
 C = height from floor to supply air opening  
 D = height from floor to lower edge of hatch



\*\* To prevent discolouration of painted non-flammable walls we recommend that the same side distance as to combustible walls is used.  
 \* Note: If the stove is positioned on a turntable the stated installation distances do not apply. Note: The glass hearth plate increases the distance above the floor by approximately 10 mm.

# 560T, 560K

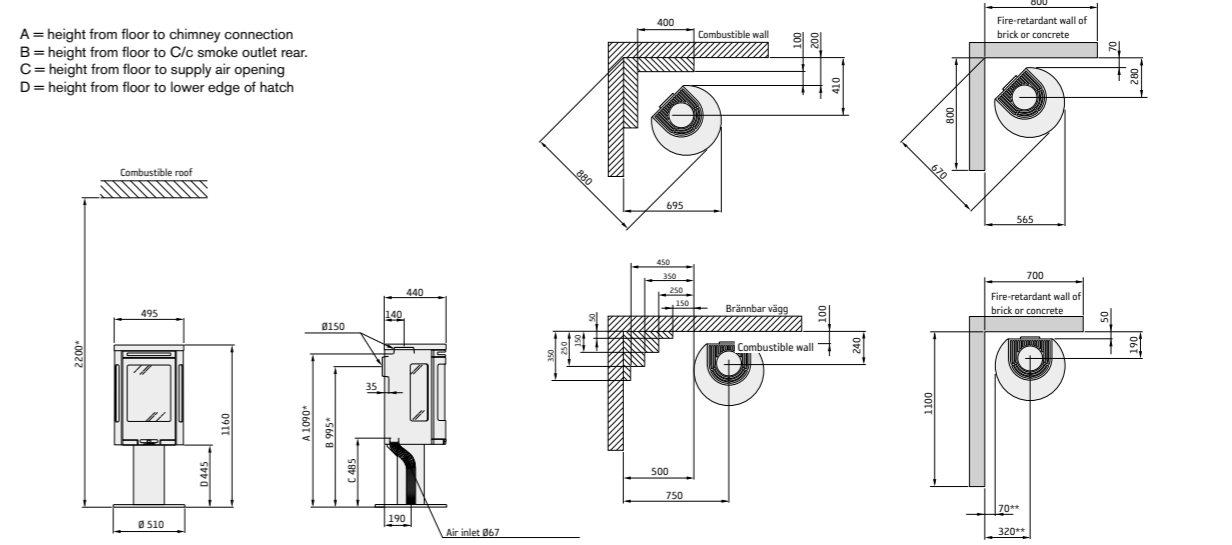
A = height from floor to chimney connection  
 B = height from floor to C/c smoke outlet rear.  
 C = height from floor to supply air opening  
 D = height from floor to lower edge of hatch



\*\* To prevent discolouration of painted non-flammable walls we recommend that the same side distance as to combustible walls is used.  
 \* Note: If the stove is positioned on a turntable the stated installation distances do not apply. Note: The glass hearth plate increases the distance above the floor by approximately 10 mm.

# 586

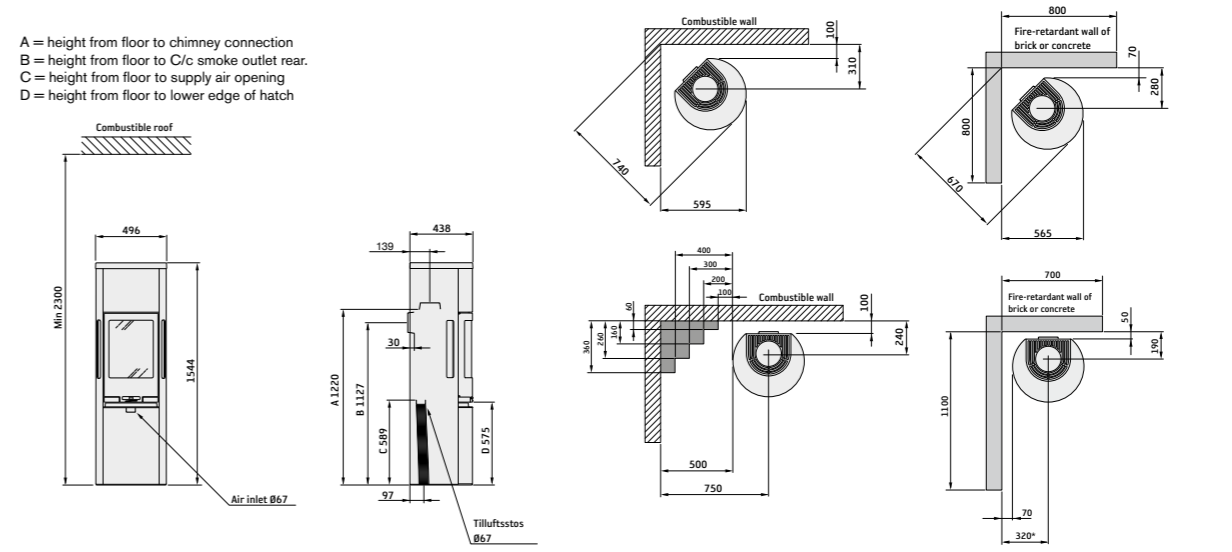
A = height from floor to chimney connection  
 B = height from floor to C/c smoke outlet rear.  
 C = height from floor to supply air opening  
 D = height from floor to lower edge of hatch



\* To prevent discolouration of painted non-flammable walls we recommend that the same side distance as to combustible walls is used.  
 Note: If the stove is positioned on a turntable the stated installation distances do not apply. Note: The glass hearth plate increases the distance above the floor by approximately 10 mm.

# 590

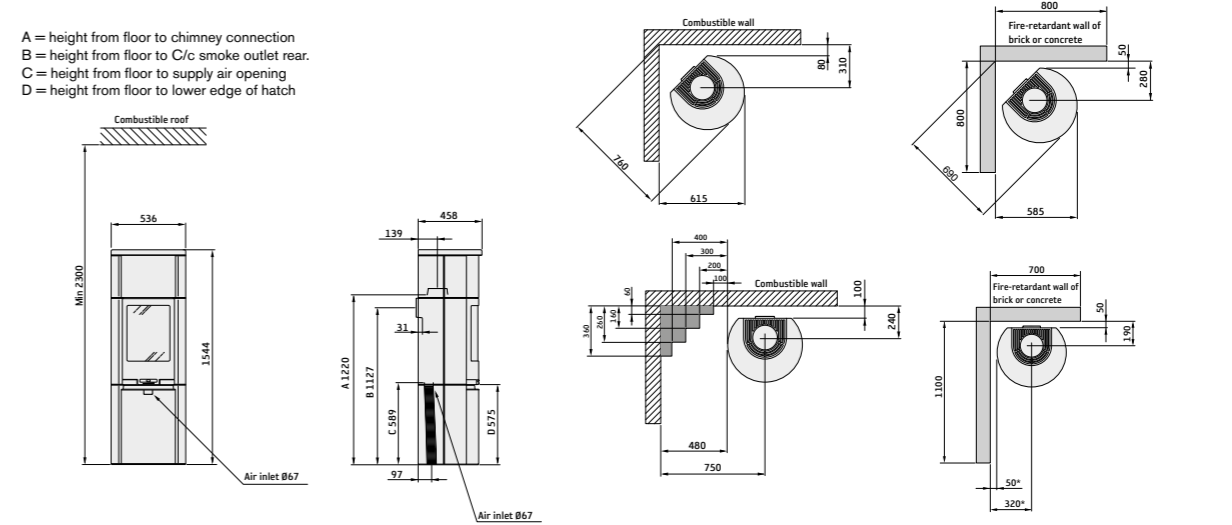
A = height from floor to chimney connection  
 B = height from floor to C/c smoke outlet rear.  
 C = height from floor to supply air opening  
 D = height from floor to lower edge of hatch



\* To prevent discolouration of painted non-flammable walls we recommend that the same side distance as to combustible walls is used.  
 Note: If the stove is positioned on a turntable the stated installation distances do not apply. Note: The glass hearth plate increases the distance above the floor by approximately 10 mm.

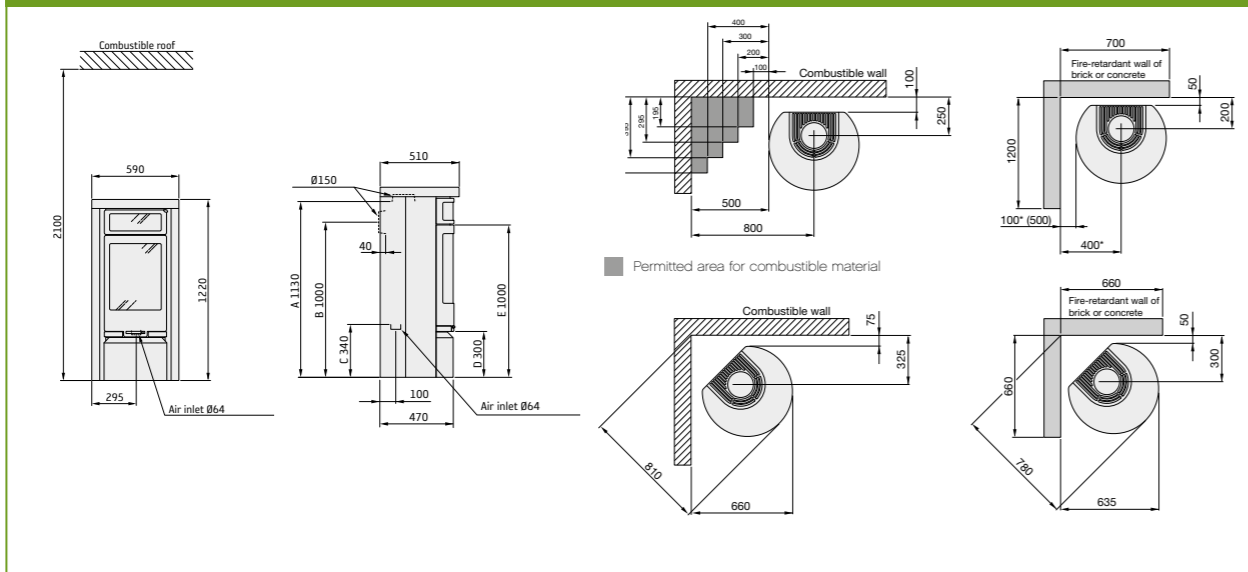
# 590T

A = height from floor to chimney connection  
 B = height from floor to C/c smoke outlet rear.  
 C = height from floor to supply air opening  
 D = height from floor to lower edge of hatch



\* To prevent discolouration of painted non-flammable walls we recommend that the same side distance as to combustible walls is used.  
 Note: If the stove is positioned on a turntable the stated installation distances do not apply. Note: The glass hearth plate increases the distance above the floor by approximately 10 mm.

# 620S/T

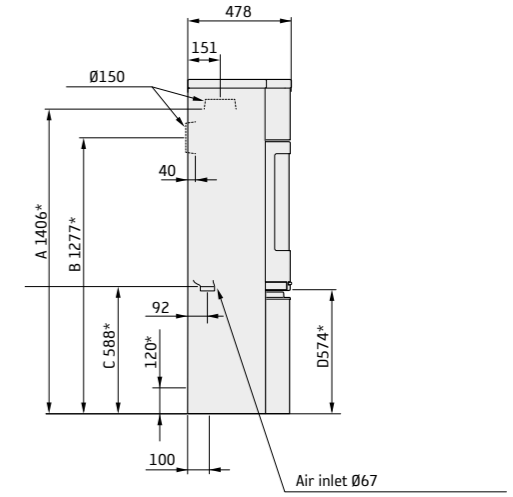
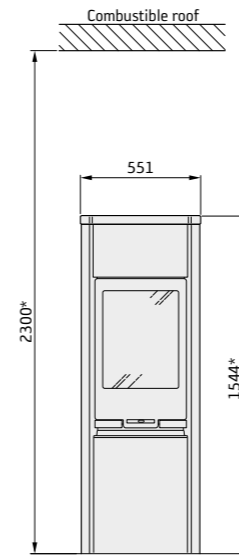


\* If the stove is placed on a hearth plate, for example, glass (optional) affected the height from the floor with a measure similar fireplace plane's thickness. Also applies to detached hearth glass (optional).

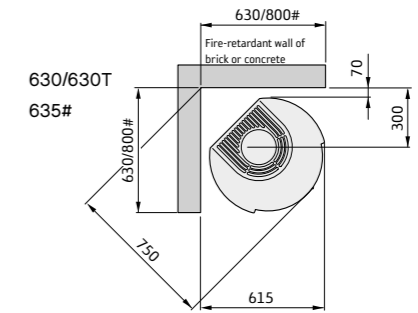
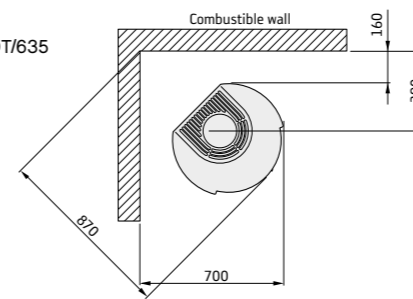
# 630, 630T & 635

Max log length: 33 cm

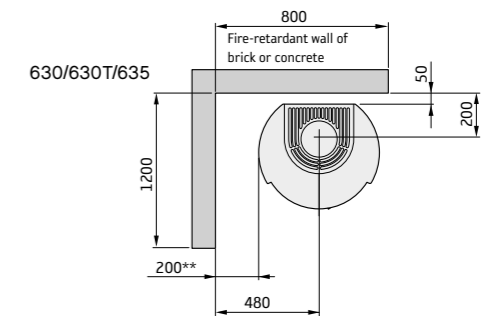
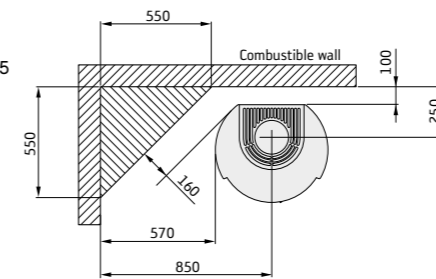
630/630T/635



630/630T/635



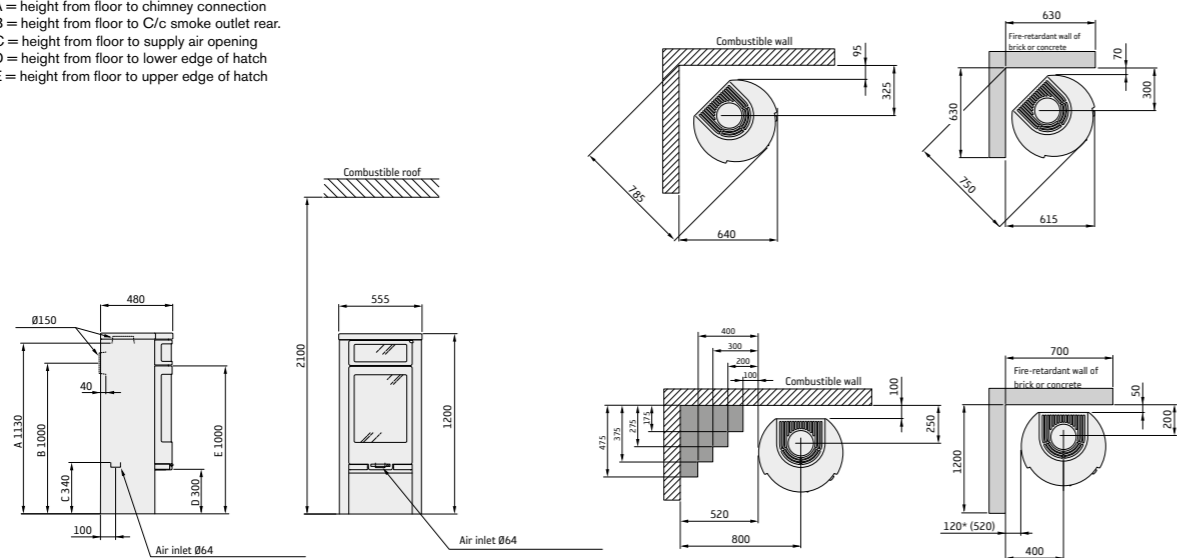
630/630T/635



\* If the stove is positioned on a turntable the stated installation distances do not apply. Note: The glass hearth plate increases the distance above the floor by approximately 10 mm.  
 \*\* To prevent discolouration of painted non-flammable walls we recommend that the same side distance as to combustibility walls is used.

# 650

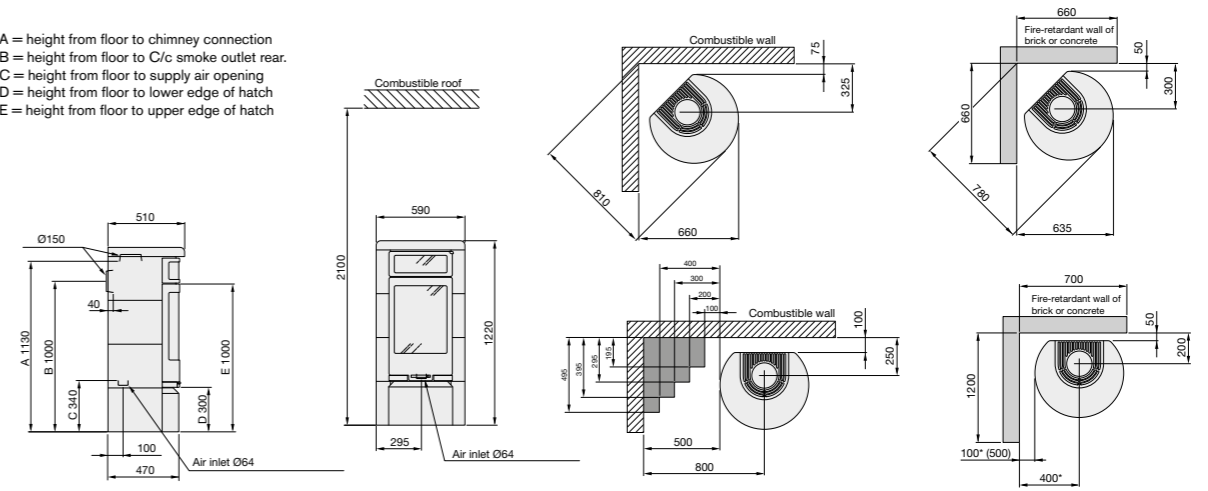
A = height from floor to chimney connection  
 B = height from floor to C/c smoke outlet rear.  
 C = height from floor to supply air opening  
 D = height from floor to lower edge of hatch  
 E = height from floor to upper edge of hatch



\* To prevent discolouration of painted non-flammable walls we recommend that the same side distance as to combustible walls is used.  
 Note: If the stove is positioned on a turntable the stated installation distances do not apply. Note: The glass hearth plate increases the distance above the floor by approximately 10 mm.

# 660K, 660T

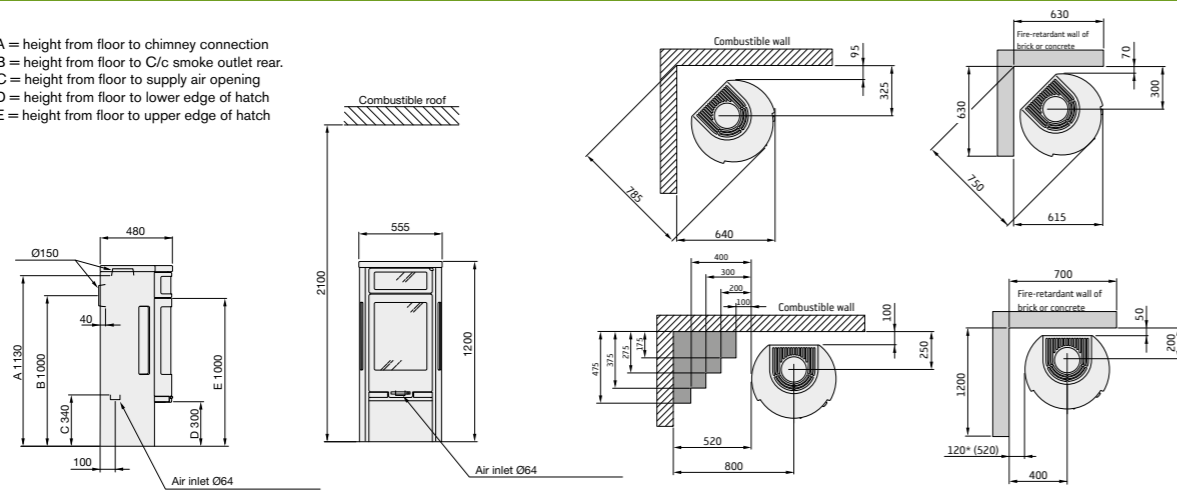
A = height from floor to chimney connection  
 B = height from floor to C/c smoke outlet rear.  
 C = height from floor to supply air opening  
 D = height from floor to lower edge of hatch  
 E = height from floor to upper edge of hatch



\* To prevent discolouration of painted non-flammable walls we recommend that the same side distance as to combustible walls is used.  
 Note: If the stove is positioned on a turntable the stated installation distances do not apply. Note: The glass hearth plate increases the distance above the floor by approximately 10 mm.

# 655, 655A

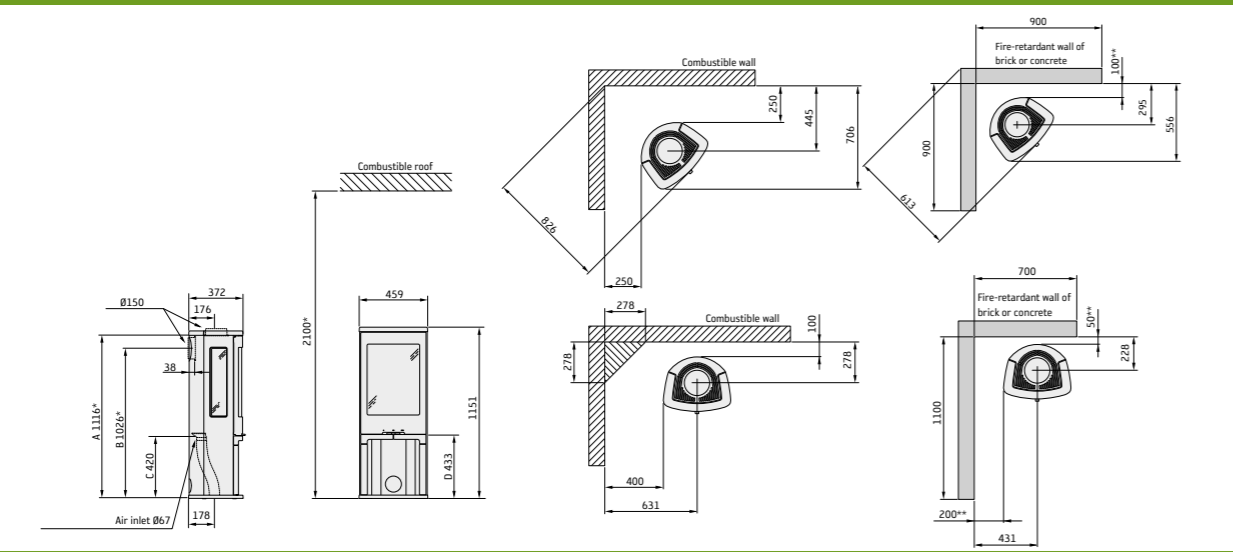
A = height from floor to chimney connection  
 B = height from floor to C/c smoke outlet rear.  
 C = height from floor to supply air opening  
 D = height from floor to lower edge of hatch  
 E = height from floor to upper edge of hatch



\* To prevent discolouration of painted non-flammable walls we recommend that the same side distance as to combustible walls is used.  
 Note: If the stove is positioned on a turntable the stated installation distances do not apply. Note: The glass hearth plate increases the distance above the floor by approximately 10 mm.

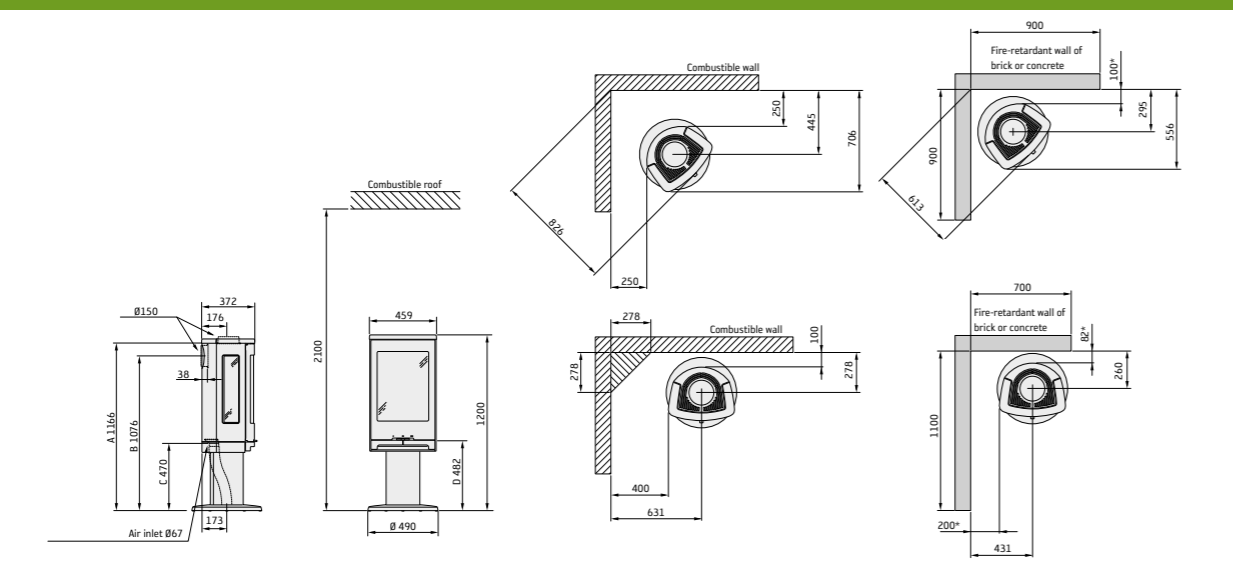


# 750, 750A



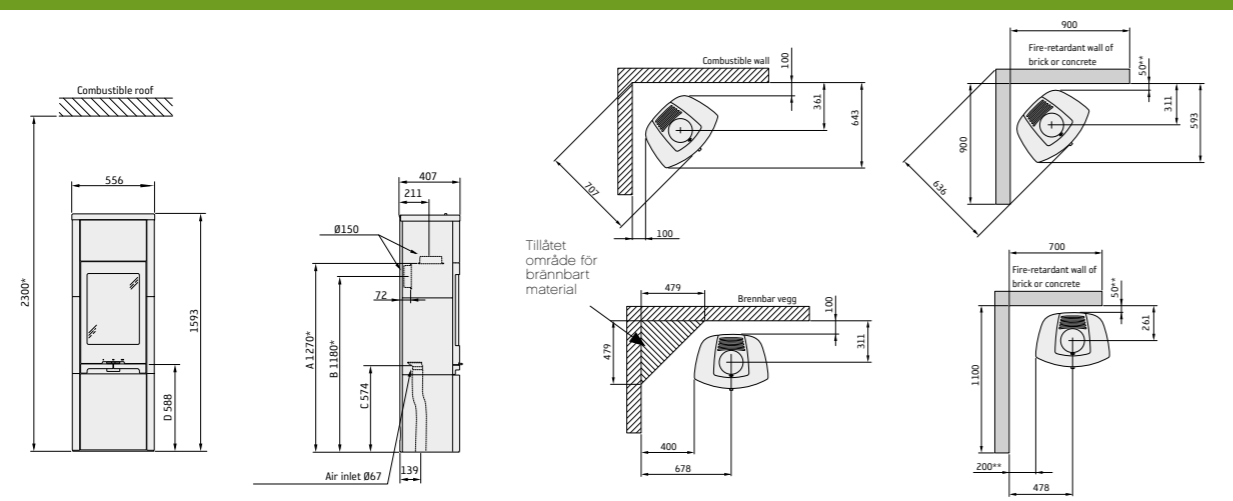
\* If the stove is positioned on a turntable the stated installation distances do not apply. Note: The glass hearth plate increases the distance above the floor by approximately 10 mm.  
 \*\* To prevent discolouration of painted non-flammable walls we recommend that the same side distance as to combustable walls is used.

# 780



\* To prevent discolouration of painted non-flammable walls we recommend that the same side distance as to combustable walls is used.  
 Note: If the stove is positioned on a turntable the stated installation distances do not apply. Note: The glass hearth plate increases the distance above the floor by approximately 10 mm.

# 790K/T

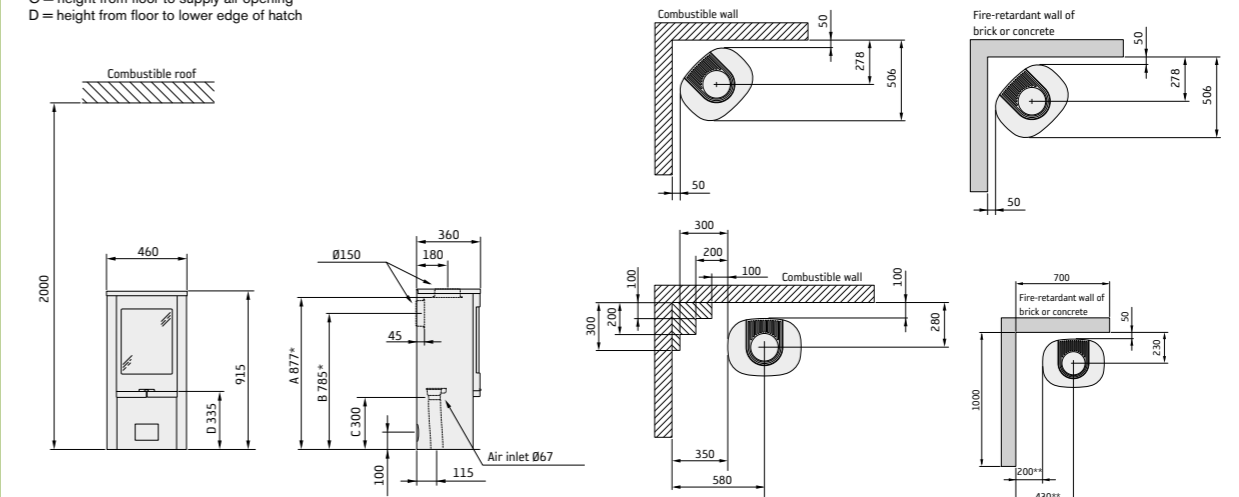


\* To prevent discolouration of painted non-flammable walls we recommend that the same side distance as to combustable walls is used.  
 Note: If the stove is positioned on a turntable the stated installation distances do not apply. Note: The glass hearth plate increases the distance above the floor by approximately 10 mm.

# 810

A = height from floor to chimney connection  
 B = height from floor to C/c smoke outlet rear.  
 C = height from floor to supply air opening  
 D = height from floor to lower edge of hatch

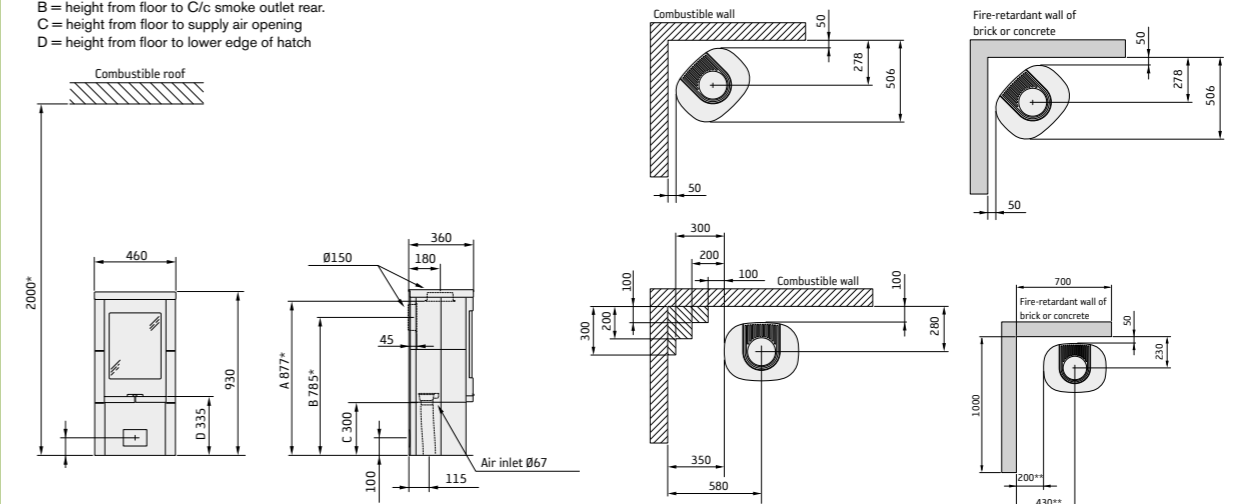
Max log length: 30 cm



# 820T

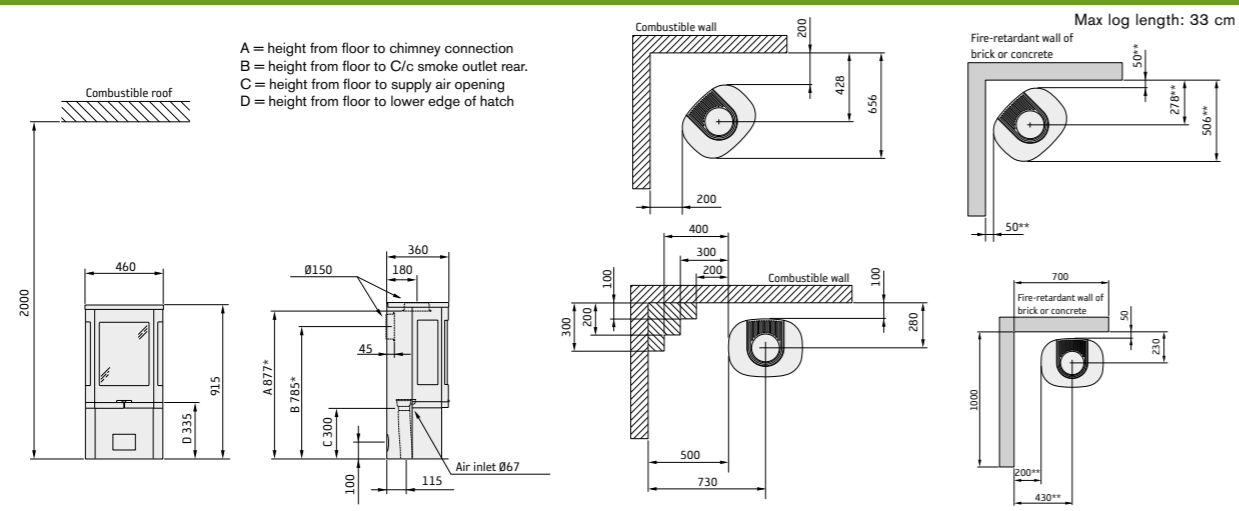
A = height from floor to chimney connection  
 B = height from floor to C/c smoke outlet rear.  
 C = height from floor to supply air opening  
 D = height from floor to lower edge of hatch

Max log length: 30 cm

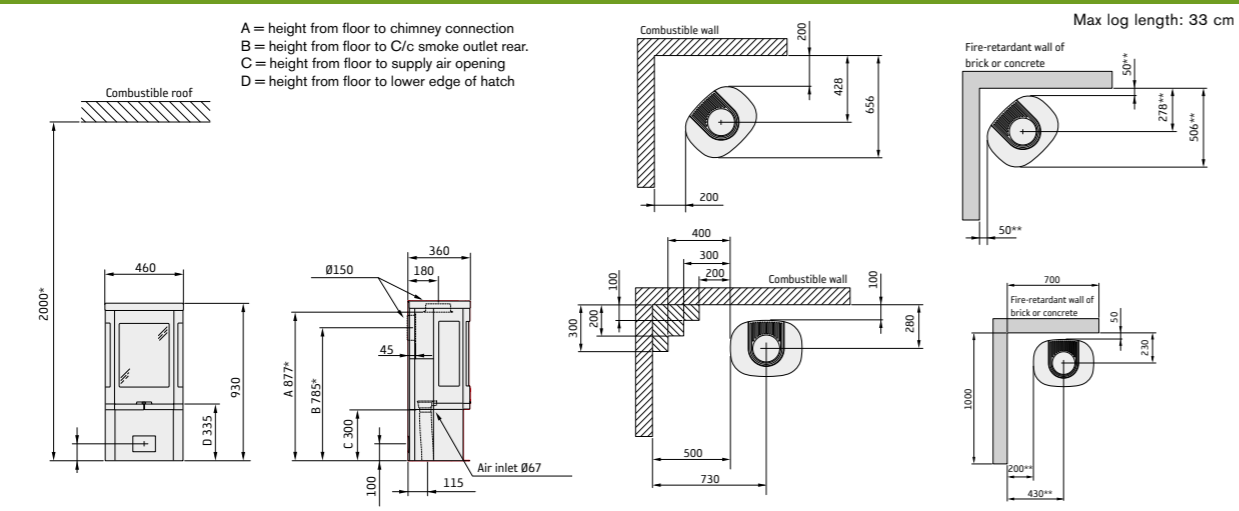


\* If the stove is positioned on a turntable the stated installation distances do not apply. Note: The glass hearth plate increases the distance above the floor by approximately 10 mm.  
 \*\* To prevent discolouration of painted non-flammable walls we recommend that the same side distance as to combustable walls is used.

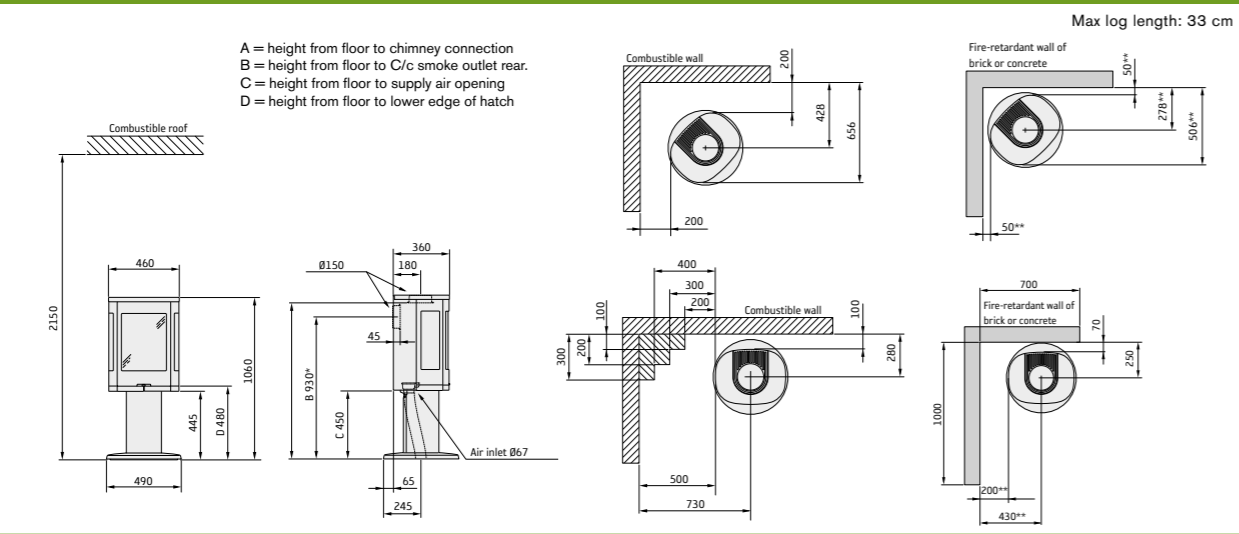
# 850



# 860T



# 880



\* If the stove is positioned on a turntable the stated installation distances do not apply. Note: The glass hearth plate increases the distance above the floor by approximately 10 mm.  
 \*\* To prevent discolouration of painted non-flammable walls we recommend that the same side distance as to combustibles walls is used.

## The importance of wood

### Wood is a biofuel

that, when correctly lit, is part of the natural cycle. As a tree grows, it consumes water and carbon dioxide in photosynthesis. This process releases oxygen, which we need to breath. When the wood is burnt or decomposes it releases the water and the carbon dioxide. The oxygen that is created when the tree grew is also consumed in the process. All this takes place in a cycle, which means that burning wood does not contribute to the greenhouse effect.

### Logs are best

stored in a woodshed with good air circulation. It is important that the wood does not lie on the ground and that it is as airy as possible at the roof and sides. Logs that have been split early in the spring can in the best cases be used the following winter. But it is better if the wood can dry for two spring seasons because wood dries best in the spring before the leaves bloom. Damp wood burns poorly, gives off less heat and is worse for the environment. Logs to be burnt should not contain more than 20% water.

### Split logs dry quicker

than unsplit. Birch logs must be split as quickly as possible, otherwise they become hard and difficult to work with. Pine and fir trees are easier to split if they have been allowed to dry a little. The logs should be stored at room temperature for 24 hours before burning.

### Covering the logs

with a tarpaulin for example is not a good idea because the moisture from the ground and the wood cannot then evaporate. Damp wood is more susceptible to rot, which quickly consumes the energy value of the wood.

### Never burn

painted wood, impregnated timber, plywood or similar. It can damage the fireplace and the environment. Oak logs are excellent for burning but it is important to mix them with other wood when burning. Oak contains a lot of energy, but also a lot of tannin which is aggressive to both the stove and masonry.

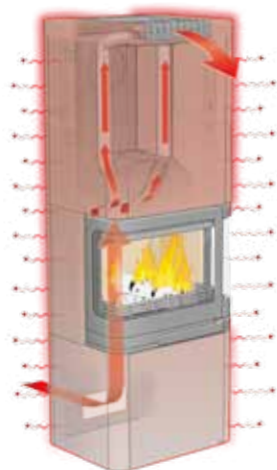
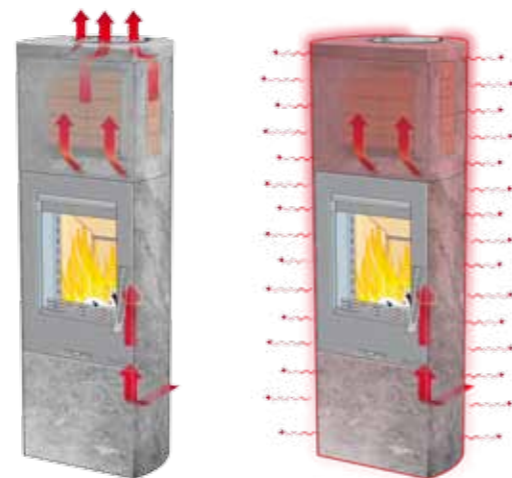
# Excellent solutions that maximise the heat with your Contura

The heat tank and hot air damper give more heat for longer.

## Heat tank with Powerstone

Powerstone is a stone with excellent heat retention properties. It provides heat long after the fire has gone out. For example, the cooling period is up to 18 hours for Contura 26T with extra heat tank (see page 101).

Heat tank is included in the Contura 400 range and in the low model of the Contura 26K and 26T. A heat tank is also available for 590, 590T, 26K high, 26T high, 34T and 35T.



## Adjustable damper

The adjustable damper in Contura 26 enables you to regulate the amount of heated air from the stove. Adjustable damper is provided with Contura 590, 590T, 34T and 35T when a heat tank is selected. A closed damper gives a long cooling down period. An open damper distributes the heat more quickly, which is good when you want to heat a room up quickly.



## Dual air system regulates heating and cooling

With two efficient heating systems Contura 26 stoves have a fantastic ability to both control the heat distribution and the cooling down period. The red arrows indicate how cold air is drawn into the rear of the stove, continues through two pipes in the firebox, passes through metal hoses and is distributed into the room at the top of the front side of the stove.

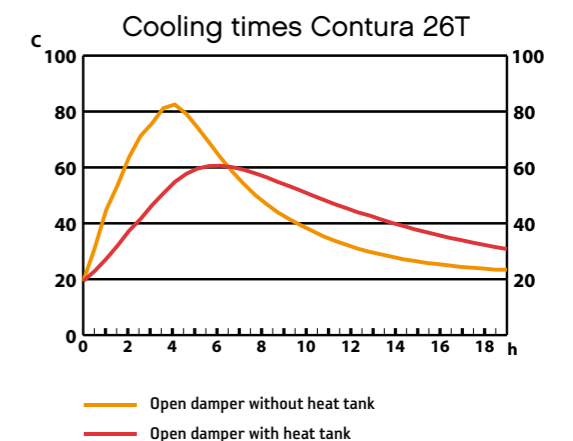
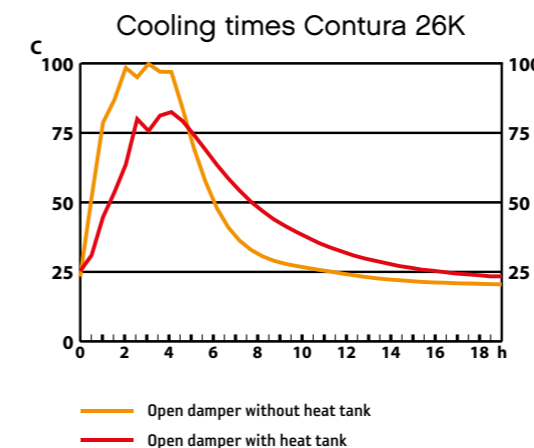
The orange arrows indicate how cold air is drawn in at floor level and heats up between the stove's hot internal parts and the outer tile/soapstone to be spread via the grille.

## Test of heat retention in Contura

At Contura we test the function and output of the stoves very thoroughly. We do this so that you know what you are getting when you choose a Contura. On the following pages you can see the cooling times for a selection of our models. To show the differences, we tested the stoves with and without the powerstone heat tank and with and without a natural, heat-retaining, soapstone casing.

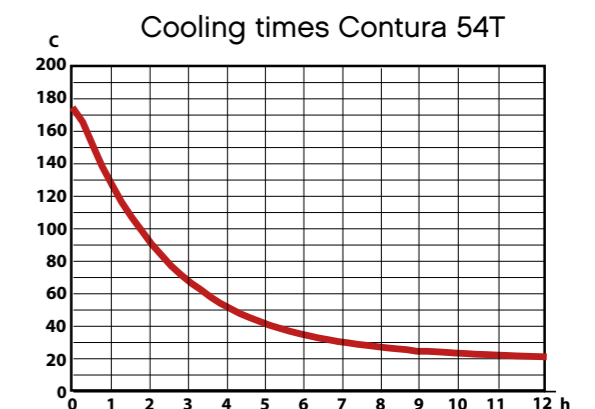
## Efficiency test Contura 26

Contura 26 (see page 26) is one of our most heat efficient stove. The test started with a normal starting amount of about 2.5 kg of kindling. Then we loaded the stove four times with a normal amount of 2.5 kg of wood every fifty minutes. The final load of wood is more than capable of keeping the stove warm all night long, until it was time to relight the fire in the morning. Contura 26 has a cooling period of up to 18 hours. With the damper closed the cooling period is extended.



## Efficiency test Contura 54T

In favourable conditions, a good stove can provide enough heat for most of the house. With a casing in natural heat retaining soapstone the cooling period is extended. A test firing of Contura 54T (see page 39) showed that the temperature dropped from 23 ° to 18 ° over 12 hours.



## Powerstone

Several models in the Contura series are available with a heat tank made of heat retaining powerstone. The tank is located under the cover above the firebox of the stove. The excellent heat retaining properties of the stone give up to four hours longer heat retention.



## Contura 790 with powerstone

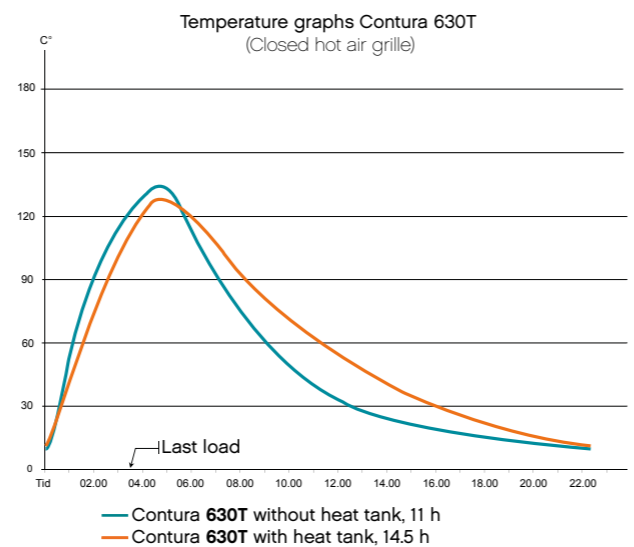
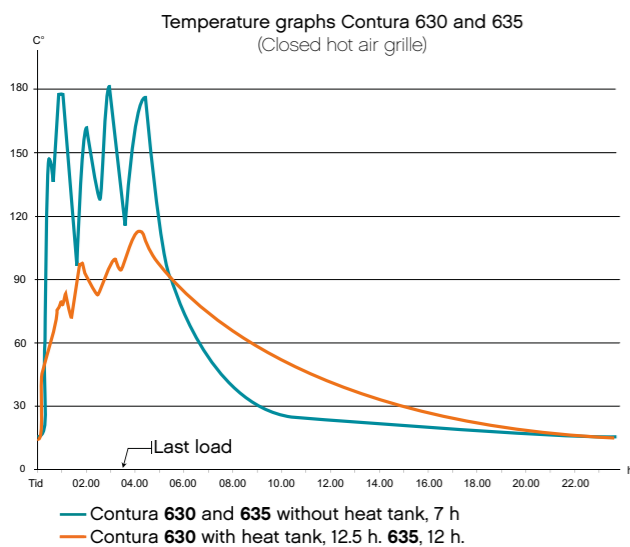
Contura 790 (see page 64) is available with a heat tank made of heat retaining powerstone. The tank is located under the cover above the firebox of the stove. The stone's excellent heat retaining properties give even heat distribution for a long time. The cooling period is up to 15 hours, with the damper closed.



On some models, there is an adjustable damper that regulates the amount of heated air from the stove out into the room. A closed damper gives a long cooling period, an open damper spreads the hot air in the room quickly.

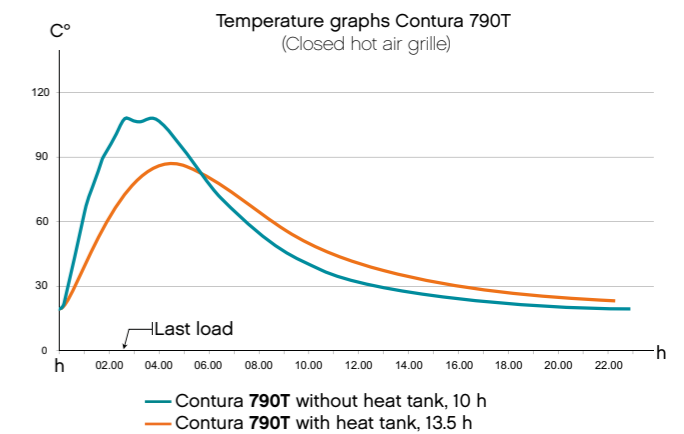
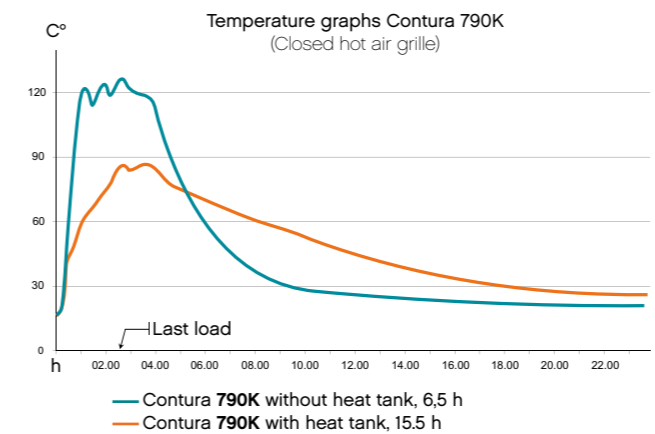
## Output test of Contura 630, 630T and 635

The tests of the models with heat tank in the 600 series with an initial fire and four loads of wood. The initial fire and first three loads were with the combustion damper wide open. After the last load the air supply was choked to a little less than half. The cooling time is calculated from the last load until the outer temperature of the heat tank (measured on the cover) has fallen to 30 degrees. The tests were performed six times over six days.



## Cooling graphs for Contura 790

A total of four days of lit fires with four different versions of Contura 790. The tests were carried out with an initial fire and four refuellings. The initial lighting and the first three refuellings were carried out with the combustion damper completely open. After the last refuelling the air supply was restricted to a little under half. The cooling period was counted from the final refuelling until the external temperature of the surround (upper front stone) had reduced to 30 degrees.



# Fan that spreads the heat quickly and efficiently

A fan is an excellent choice for those who want quick and even distribution of heat, for example, across large areas in the home.

The fan is thermostat-controlled and starts automatically when the stove gets hot and stops when it has cooled. It can, of course, be controlled manually.

The fan is available as an option for Contura 26, 30, 400, 500 and 600. It can easily be retro-fitted and is concealed by a cover in the same material as the stove casing.



This is how the fan in Contura 500 and 600 is installed. The fan can be concealed behind a cover (option) that is the same colour as the stove casing.

## Good air circulation for efficient combustion



### ↑ Efficient air flow

The cool room air is drawn into the stove from underneath, is heated and rises. Just a few minutes later the hot air flows out into the room.

### ↑ High combustion

In the rear of the stove there is an extra duct system for spreading preheated combustion air. The system is called Clean Burning and is activated by sliding the control on the front to the left. The stove burns efficiently and for long periods resulting in a combustion with very low particle concentrations.

### ↑ Clean glass

The control on the front of the stove controls the intensity of the fire by regulating the amount of combustion air. The combustion air is heated to extremely high temperatures and flushed out onto the inside of the glass, which prevents soot build-up.

# Light green for a better environment

Making the stove responsible for part of your heating costs is wise from both an environmental and financial point of view. If you light correctly it is a cheap heating method and kind to the environment. Cosiness is included in the price!

Modern wood firing technology is an environmentally friendly energy form, which does not contribute to the greenhouse effect. Complete combustion of wood produces carbon dioxide, water vapour and ash that can be used as garden fertiliser. Complete combustion also gives better heating economy, which is itself environmentally friendly. But in order for the fire to have the best possible effect and contribute to as clean an environment as possible it is important to fire correctly. Here are some basic tips. See the instruction films and read more at [www.contura.eu](http://www.contura.eu)

## Seven hot tips for greener and more efficient firing

1. Replace your old stove with a new one if it is more than ten years old. Modern stoves are up to 90% cleaner and 40% more efficient than their predecessors.
2. Choose an eco-labelled/Swan-labelled stove.
3. Always light using dry wood.
4. Let the door stand ajar for at least 10 minutes after lighting the fire.
5. Make sure that the fire always has enough oxygen.
6. Do not burn more than the manufacturer recommends, which is normally a max 2-3 kg logs/hour.
7. Always let the wood lie indoors for at least one day before burning. "Deep frozen" wood (-20 degrees) means that the heat recovery will be very poor.



# Contura is completely Swedish!

The design and product development of Contura stoves occurs in Sweden, as does the assembly of all stove parts. The stoves are quality controlled before leaving the factory in Markaryd. This gives us full control over the quality in all stages of production. We take care to ensure that the stoves are suitable for the modern home and conditions. We are proud to mark our stoves "Made in Sweden".



# A Smålander that heats Europe!

Contura stoves and Premodul chimneys are made by NIBE in Markaryd, in Småland. Conserving resources has always been a matter of course in Småland and that is why our manufacturing is modern, lean and efficient. Quality permeates every level of production in our factory, which is the largest and most modern facility for the manufacture of stoves and chimneys in Europe. Our products are sold throughout Europe and are appreciated for their timeless design, efficiency and high quality.

Contura is the leading manufacturer of stove products in Scandinavia and one of the leading manufacturers in Europe. Contura is part of the NIBE group, which has 8000 employees and a turnover of approximately 10 billion SEK.



Contura  
NIBE AB  
Box 134  
SE-285 23 Markaryd  
Tel. +46 (0)433 75 100



Part of  **NIBE** [www.contura.eu](http://www.contura.eu)

