

ULTIME D Patented

metalfire

Technical Document

Model: ULTIME D MF 1050-75 WHE 1S

- Dimensions (mm)**
- combustion opening WxH: 1086x756
 - external WxDxH: 1310x619x2061
 - fresh air: 2xØ150
 - diameter flue: Ø300

- Technical Data**
- capacity: 27kW
 - efficiency capacity: 77.6%
 - CO (volume with 13%O₂): 0.1%
 - dust (volume with 13%O₂): 26mg/m³
 - weight: 495kg
 - Air intake to convection: minimum 720cm² (4xØ150)
 - Air exhaust to convection: minimum 720cm² (4xØ150)

- Specifications**
- inside finishing: heat-resistant black paint
 - vermiculite insulation plates
 - convection jacket in galvanized steel
 - cast iron stoke grate
 - back and sides: ribbed cast iron
 - interior finishing: ORIGINAL (ribbed cast iron)

- Options**
- Promat insulation kit
 - Finishing frame

Table: prescribed insulation thickness (mm)

| | Combustible finishing material | | | | |
|--|--------------------------------|----|-----|-----|----|
| | A | B | C | D | E |
| Test report (TC = 0,14 W/mK) | NC | NC | 100 | 130 | 40 |
| Metalfire recommended Promasil 1100L (TC = 0,081 W/mK) | NC | NC | 60 | 75 | 25 |
| Non-combustible finishing material | | | | | |
| non-combustible materials (structural building items EXCLUDED e.g. load bearing walls) | 0 | 0 | 0 | 0 | 0 |
| TC = thermal conductivity NC = non-combustible | | | | | |

First aid and technical support:

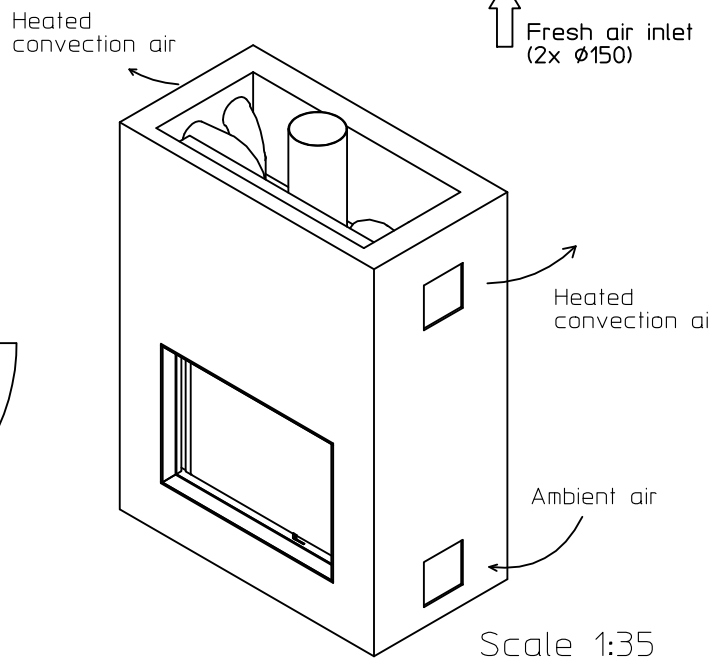
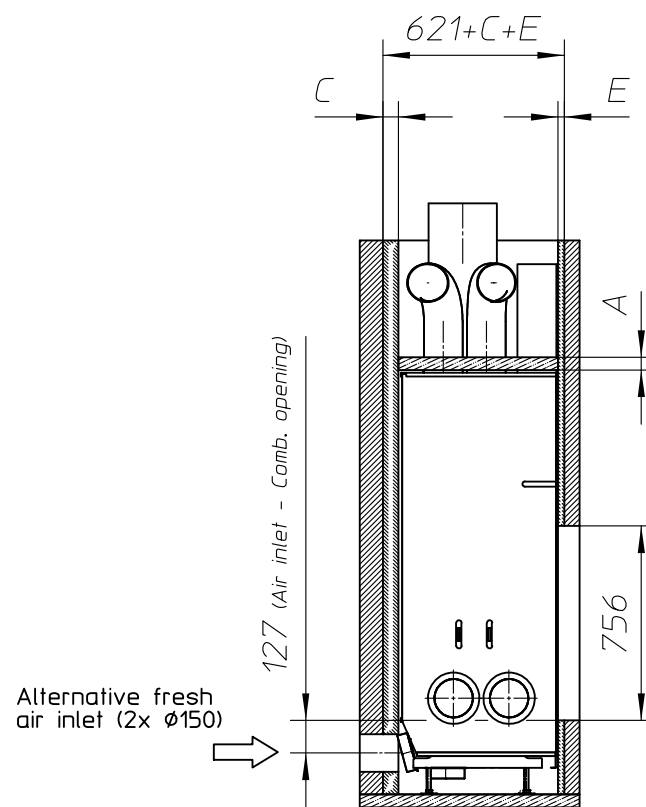
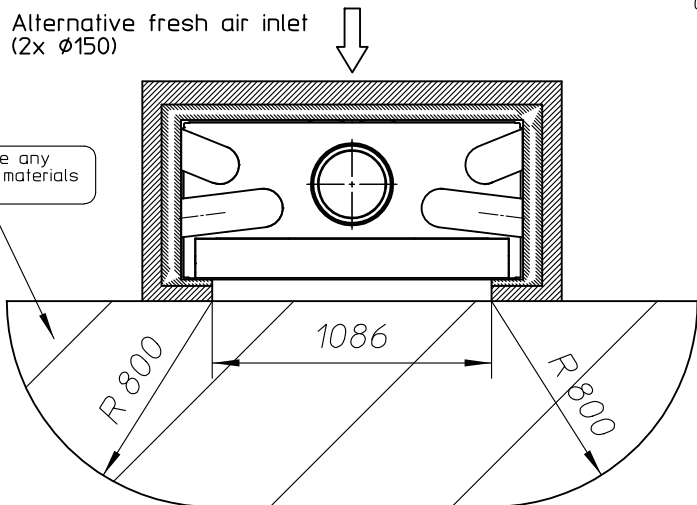
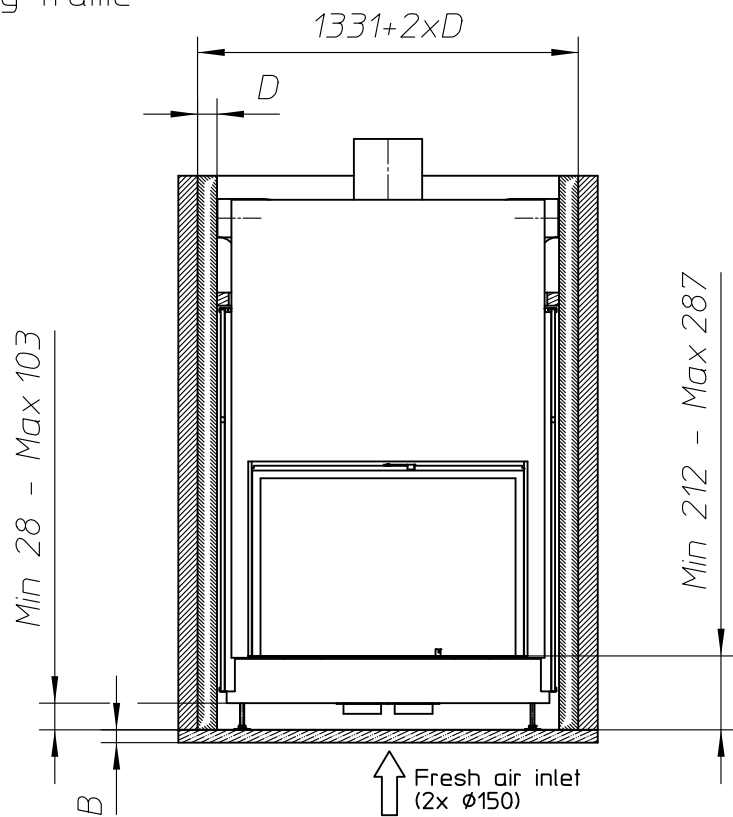
- support@metalfire.eu
- +32 (0)9 261 50 57

scale 1:25 Rev. A

www.metalfire.eu EN 13229 CE

General dimensional tolerances up to 6mm
Metalfire preserves the right to modify specifications without previous notice Sheet 1/3

Without finishing frame



ULTIME D Patented

metalfire

Technical Document

Model: ULTIME D MF 1050-75 WHE 1S

- Dimensions (mm)**
- combustion opening WxH: 1086x756
 - external WxDxH: 1310x619x2061
 - fresh air: 2xø150
 - diameter flue: ø300

- Technical Data**
- capacity: 27kW
 - efficiency capacity: 77.6%
 - CO (volume with 13%O₂): 0.1%
 - dust (volume with 13%O₂): 26mg/m³
 - weight: 495kg
 - Air intake to convection: minimum 720cm² (4xø150)
 - Air exhaust to convection: minimum 720cm² (4xø150)

- Specifications**
- inside finishing: heat-resistant black paint
 - vermiculite insulation plates
 - convection jacket in galvanized steel
 - cast iron stoke grate
 - back and sides: ribbed cast iron
 - interior finishing: ORIGINAL (ribbed cast iron)

- Options**
- Promat insulation kit
 - Finishing frame

Table: prescribed insulation thickness (mm)

| | Combustible finishing material | | | | |
|--|--------------------------------|----|-----|-----|----|
| | A | B | C | D | E |
| Test report (TC = 0,14 W/mK) | NC | NC | 100 | 130 | 40 |
| Metalfire recommended Promasil 1100L (TC = 0,081 W/mK) | NC | NC | 60 | 75 | 25 |
| Non-combustible finishing material | | | | | |
| non-combustible materials (structural building items EXCLUDED e.g. load bearing walls) | 0 | 0 | 0 | 0 | 0 |
| TC = thermal conductivity NC = non-combustible | | | | | |

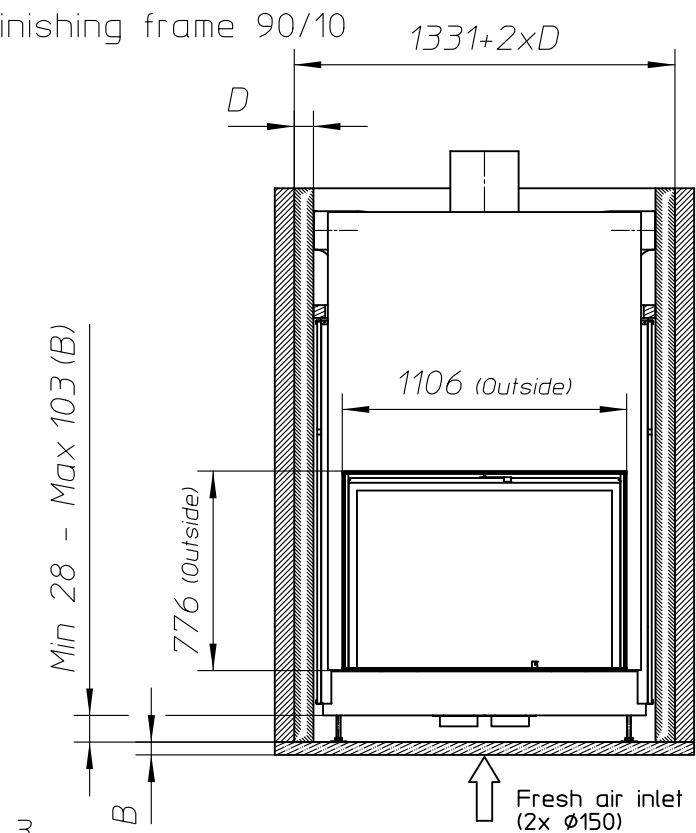
First aid and technical support:

- support@metalfire.eu
- +32 (0)9 261 50 57

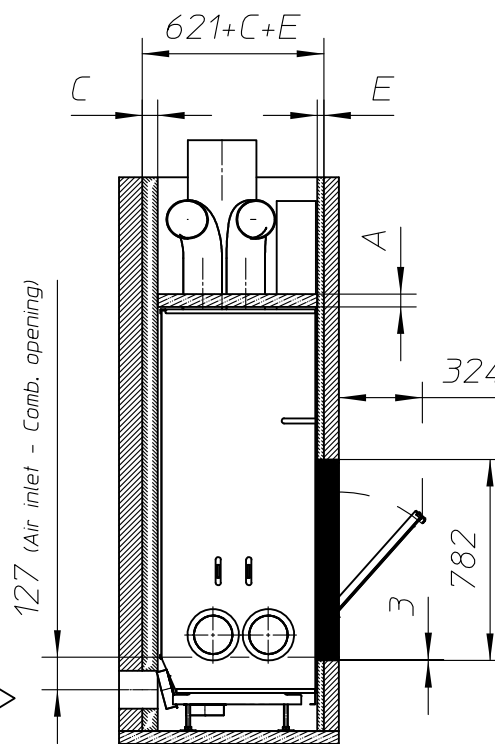
| | |
|--|-----------|
| scale 1:30 | Rev. A |
| www.metalfire.eu | EN 13229 |
| General dimensional tolerances up to 6mm Metalfire preserves the right to modify specifications without previous notice | Sheet 2/3 |

- Combustible finishing material
- Non-combustible finishing material
- Insulation
- Insulation thickness => see table

With finishing frame 90/10

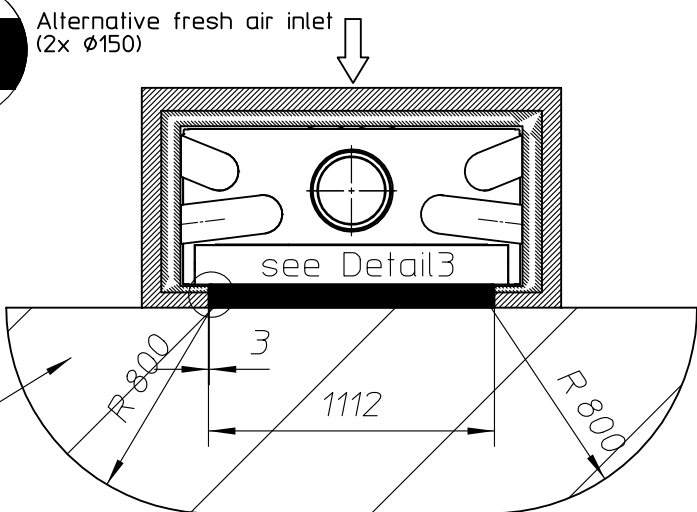


Alternative fresh air inlet (2x Ø150)

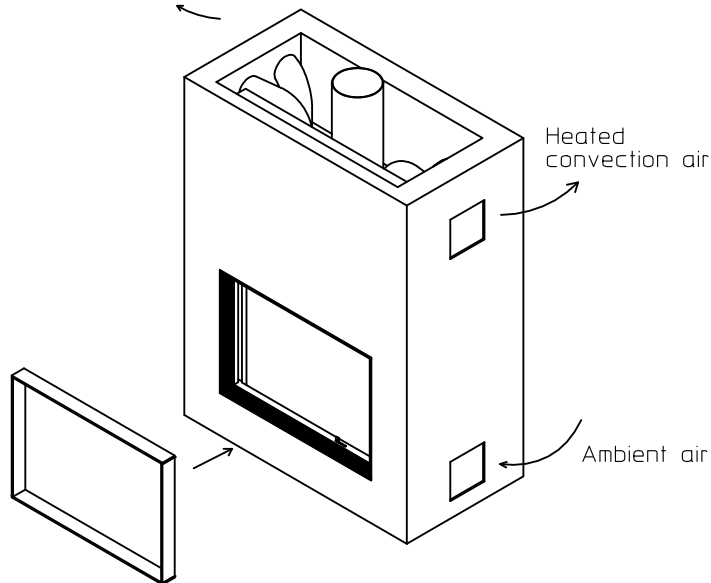


Fresh air inlet (2x Ø150)

Detail3
Scale 1:10



Heated convection air



ULTIME D Patented

metalfire

Technical Document

Model: ULTIME D MF 1050-75 WHE 1S

Dimensions (mm)

- combustion opening WxH: 1086x756
- external WxDxH: 1310x619x2061
- fresh air: 2xØ150
- diameter flue: Ø300

Technical Data

- capacity: 27kW
- efficiency capacity: 77.6%
- CO (volume with 13%O₂): 0.1%
- dust (volume with 13%O₂): 26mg/m³
- weight: 495kg
- Air intake to convection: minimum 720cm² (4xØ150)
- Air exhaust to convection: minimum 720cm² (4xØ150)

Specifications

- inside finishing: heat-resistant black paint
- vermiculite insulation plates
- convection jacket in galvanized steel
- cast iron stoke grate
- back and sides: ribbed cast iron
- interior finishing: ORIGINAL (ribbed cast iron)

Options

- Promat insulation kit
- Finishing frame

Table: prescribed insulation thickness (mm)

| | Combustable finishing material | | | | |
|--|--------------------------------|----|-----|-----|----|
| | A | B | C | D | E |
| Test report (TC = 0,14 W/mK) | NC | NC | 100 | 130 | 40 |
| Metalfire recommended Promasil 1100L (TC = 0,081 W/mK) | NC | NC | 60 | 75 | 25 |
| Non-combustable finishing material | | | | | |
| non-combustable materials (structural building items EXCLUDED e.g. load bearing walls) | 0 | 0 | 0 | 0 | 0 |
| TC = thermal conductivity NC = non-combustable | | | | | |

First aid and technical support:

- support@metalfire.eu
- +32 (0)9 261 50 57

scale 1:25

www.metalfire.eu

EN 13229

General dimensional tolerances up to 6mm
Metalfire preserves the right to modify specifications without previous notice

Rev.
A

Sheet
3/3

- Combustable finishing material
- Non-combustable finishing material
- Insulation
- Insulation thickness => see table