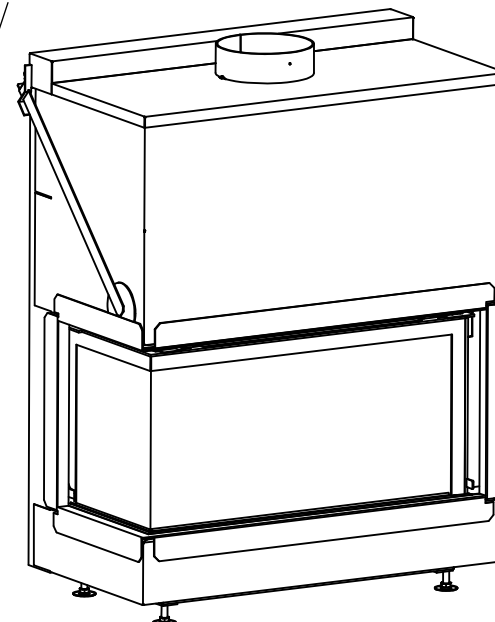
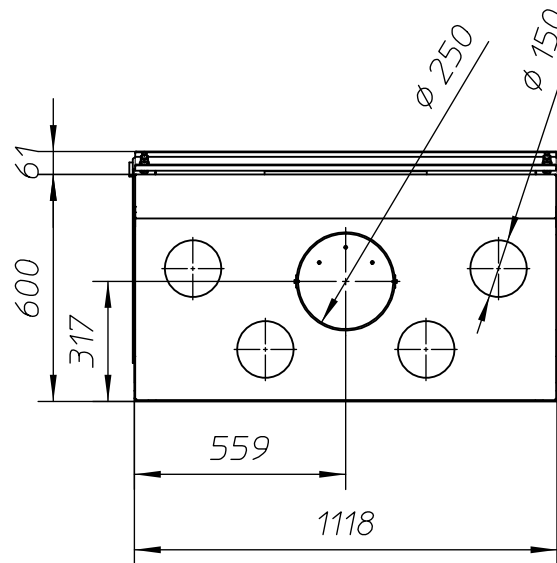
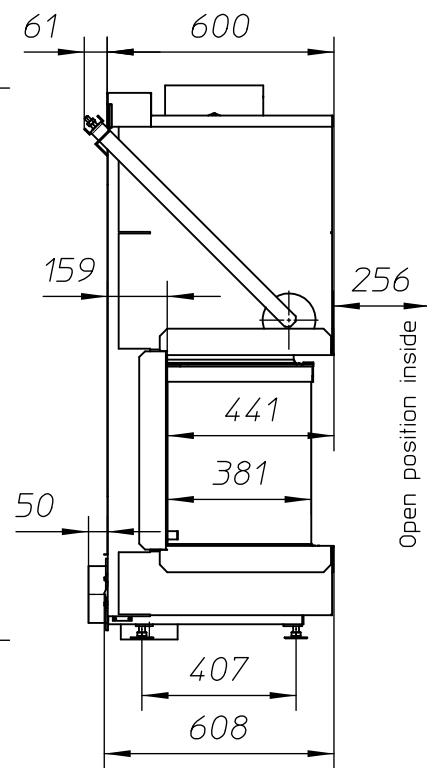
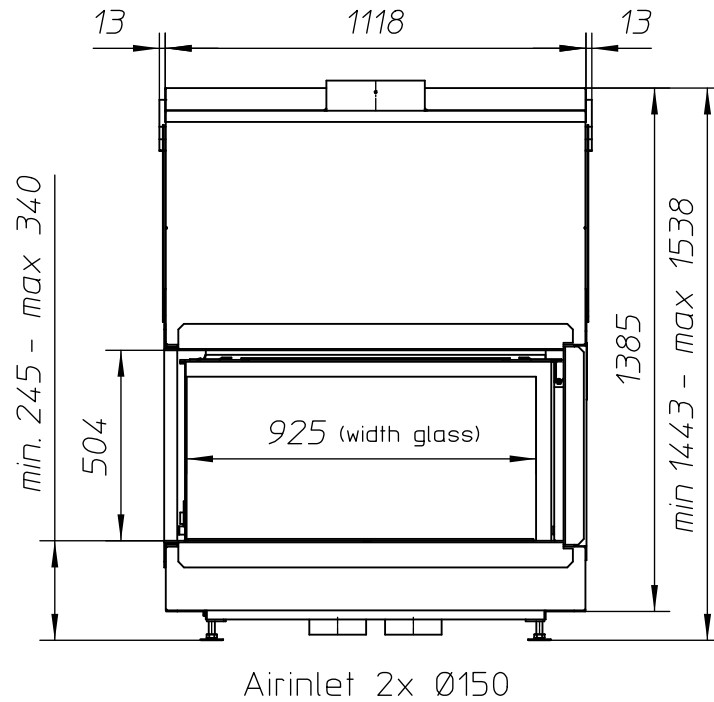
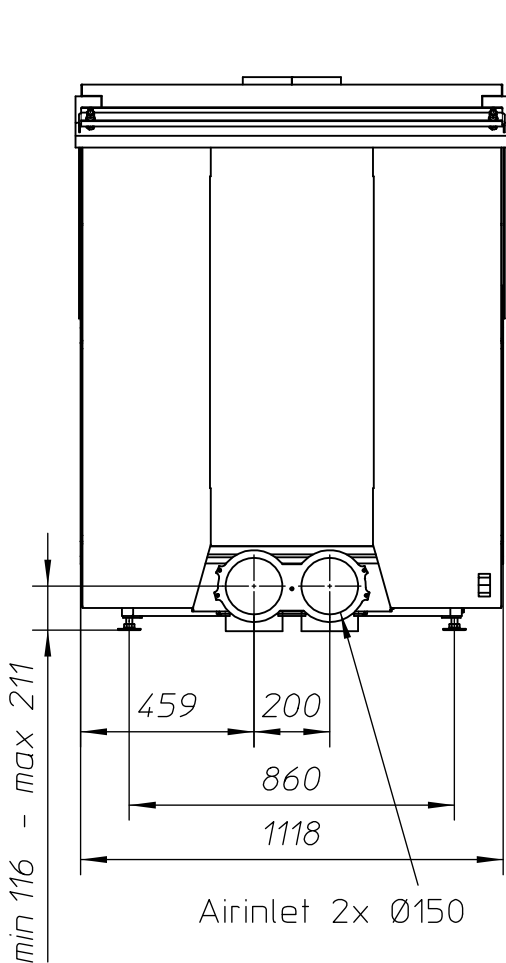


Standard configuration is with 4mm frame



ULTIME D Patented

metalfire

Technical Document

ULTIME D MF 1050-50 WHE 2SL V20

Dimensions (mm)

- combustion opening WxHxD: 1056x441x504
- external WxDxH: 1118x600x1443
- fresh air: 2xØ150
- diameter flue: Ø250

Technical Data

- Ecolabel: A+
- capacity: 19kW
- efficiency capacity: 84%
- CO (volume with 13%O₂): 0.072%
- dust (volume with 13%O₂): 29,5mg/Nm³
- weight: 320kg
- Air intake to convection: minimum 720cm²(4xØ150)
- Air exhaust to convection: minimum 720cm²(4xØ150)

Specifications

- inside finishing: heat-resistant black paint
- vermiculite insulation plates
- convection jacket in galvanized steel
- back and sides: ribbed cast iron
- interior finishing: ORIGINAL (ribbed cast iron)

Options

- Finishing frame

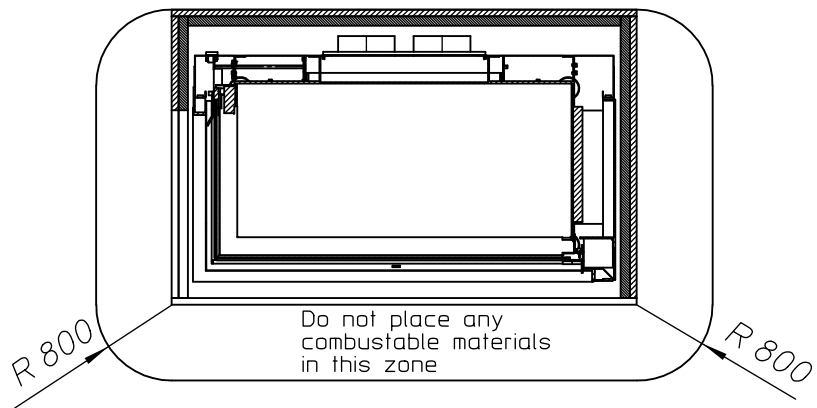
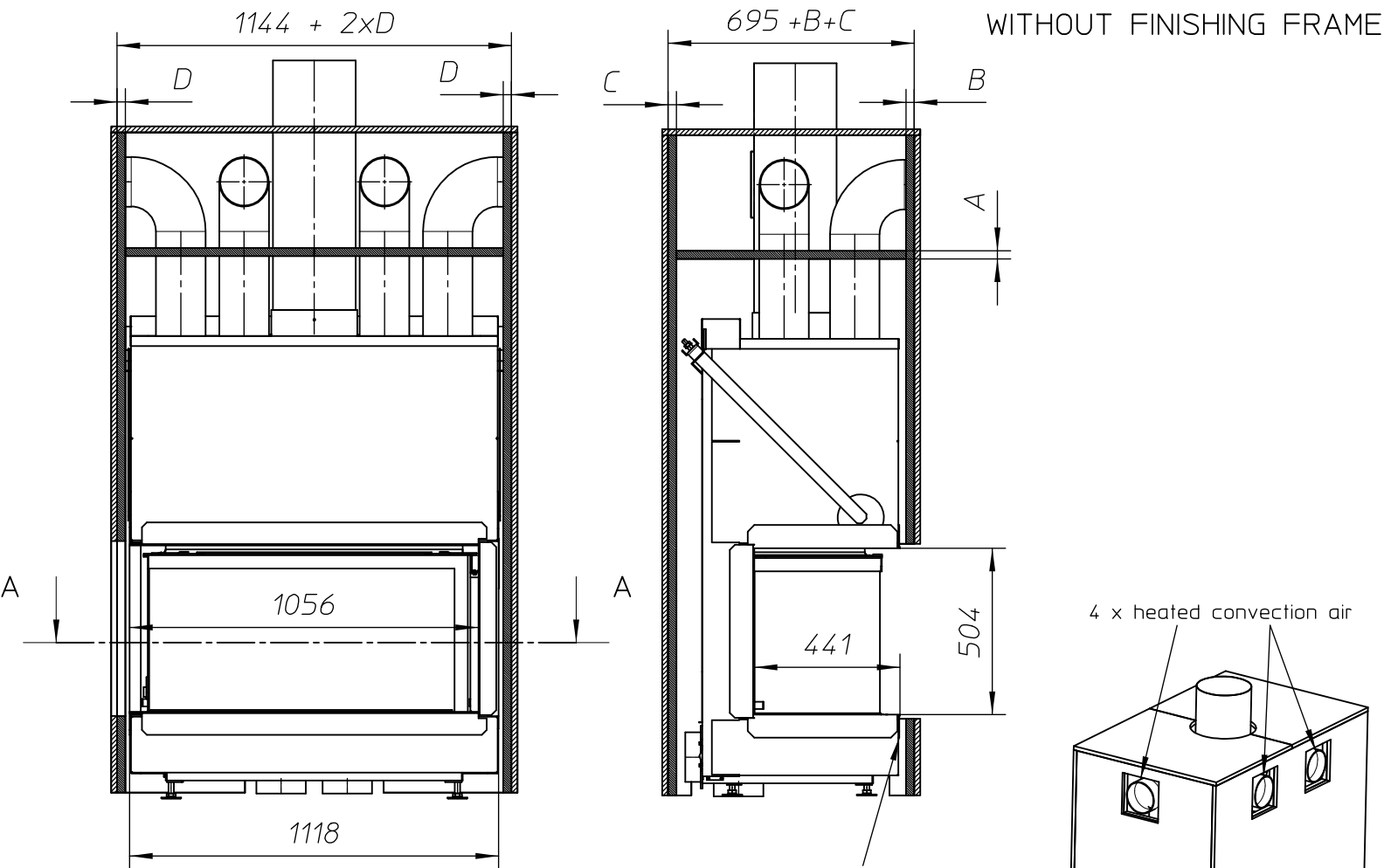
Table: prescribed insulation thickness (mm)

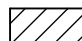

Combustable finishing material				
	A	B	C	D
Test report (TC = 0,14 W/mk)	25	25	25	25
Non-combustable finishing material				
non-combustable materials (structural building items EXCLUDED e.g. load bearing walls)	0	0	0	0
TC = thermal conductivity NC = non-combustable				

First aid and technical support:

- support@metalfire.eu
- +32 (0)9 261 50 57

scale 1:20	Rev. -1
www.metalfire.eu EN 13229	CE
General dimensional tolerances up to 6mm Metalfire preserves the right to modify specifications without previous notice	Sheet 1/3



 Combustible finishing material
 Insulation

WITHOUT FINISHING FRAME

ULTIME D Patented

metalfire

Technical Document

ULTIME D MF 1050-50 WHE 2SL V20

Dimensions (mm)

- combustion opening WxHxD: 1056x441x504
- external WxDxH: 1118x600x1443
- fresh air: 2xØ150
- diameter flue: Ø250

Technical Data

- Ecolabel: A+
- capacity: 19kW
- efficiency capacity: 84%
- CO (volume with 13%O₂): 0.072%
- dust (volume with 13%O₂): 29,5mg/Nm³
- weight: 320kg

- Air intake to convection: minimum 720cm² (4xØ150)
- Air exhaust to convection: minimum 720cm² (4xØ150)

Specifications

- inside finishing: heat-resistant black paint
- vermiculite insulation plates
- convection jacket in galvanized steel
- back and sides: ribbed cast iron
- interior finishing: ORIGINAL (ribbed cast iron)

Options

- Finishing frame

Table: prescribed insulation thickness (mm)

Combustable finishing material				
	A	B	C	D
Test report (TC = 0,14 W/mK)	25	25	25	25

Non-combustable finishing material				
non-combustable materials (structural building items EXCLUDED e.g. load bearing walls)	A	B	C	D
	0	0	0	0

TC = thermal conductivity NC = non-combustable

First aid and technical support:

- support@metalfire.eu
- +32 (0)9 261 50 57

scale 1:20

Rev. -1

www.metalfire.eu

EN 13229

CE

General dimensional tolerances up to 6mm
Metalfire preserves the right to modify specifications without previous notice

Sheet 2/3

ULTIME D Patented

metalfire

Technical Document

ULTIME D MF 1050-50 WHE 2SL V20

Dimensions (mm)

- combustion opening WxHxD: 1056x441x504
- external WxDxH: 1118x600x1443
- fresh air: 2xØ150
- diameter flue: Ø250

Technical Data

- Ecolabel: A+
- capacity: 19kW
- efficiency capacity: 84%
- CO (volume with 13%O₂): 0.072%
- dust (volume with 13%O₂): 29,5mg/Nm³
- weight: 320kg
- Air intake to convection: minimum 720cm²(4xØ150)
- Air exhaust to convection: minimum 720cm²(4xØ150)

Specifications

- inside finishing: heat-resistant black paint
- vermiculite insulation plates
- convection jacket in galvanized steel
- back and sides: ribbed cast iron
- interior finishing: ORIGINAL (ribbed cast iron)

Options

- Finishing frame

Table: prescribed insulation thickness (mm)

Test report (TC = 0,14 W/mk)	Combustible finishing material			
	A	B	C	D
	25	25	25	25
Non-combustable finishing material				
non-combustable materials structural building items EXCLUDED e.g. load bearing walls	0	0	0	0
TC = thermal conductivity NC = non-combustable				

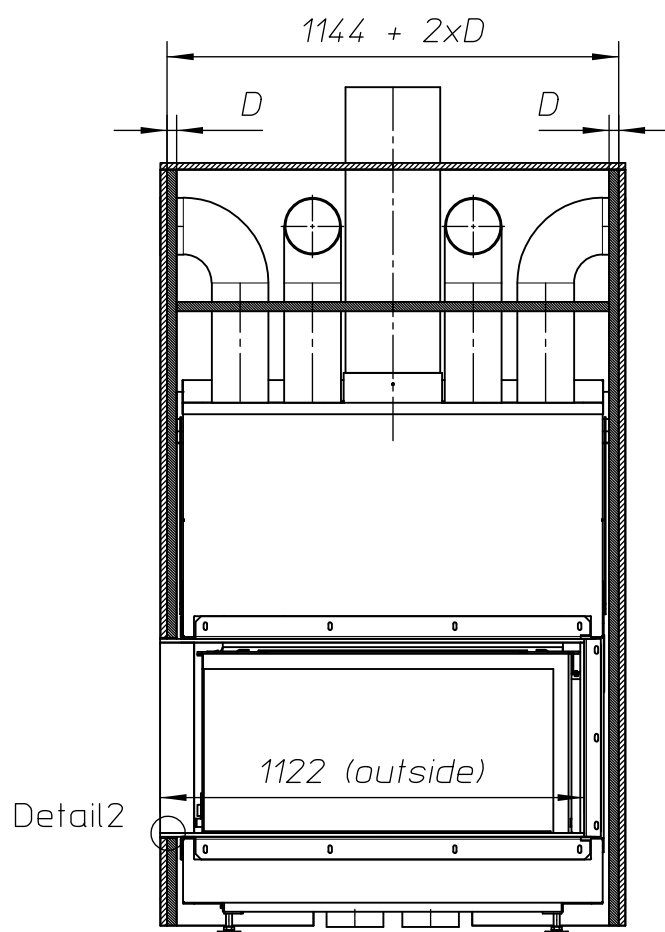
First aid and technical support:

- support@metalfire.eu
- +32 (0)9 261 50 57

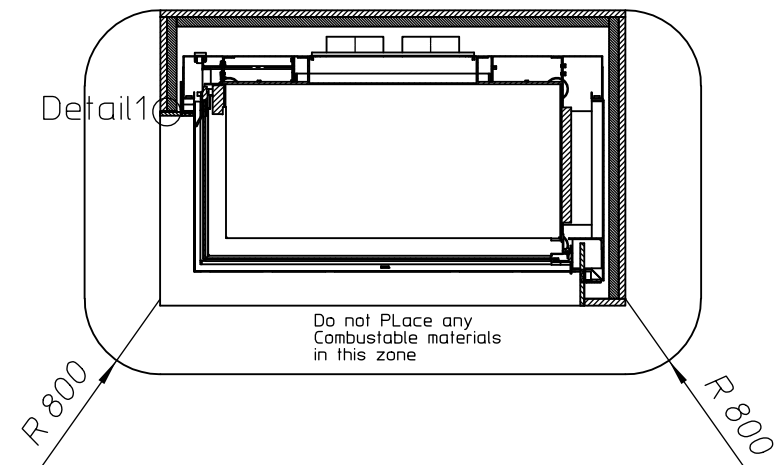
scale 1:20 Rev. -1

www.metalfire.eu EN 13229 CE

General dimensional tolerances up to 6mm Sheet 3/3
Metalfire preserves the right to modify specifications without previous notice

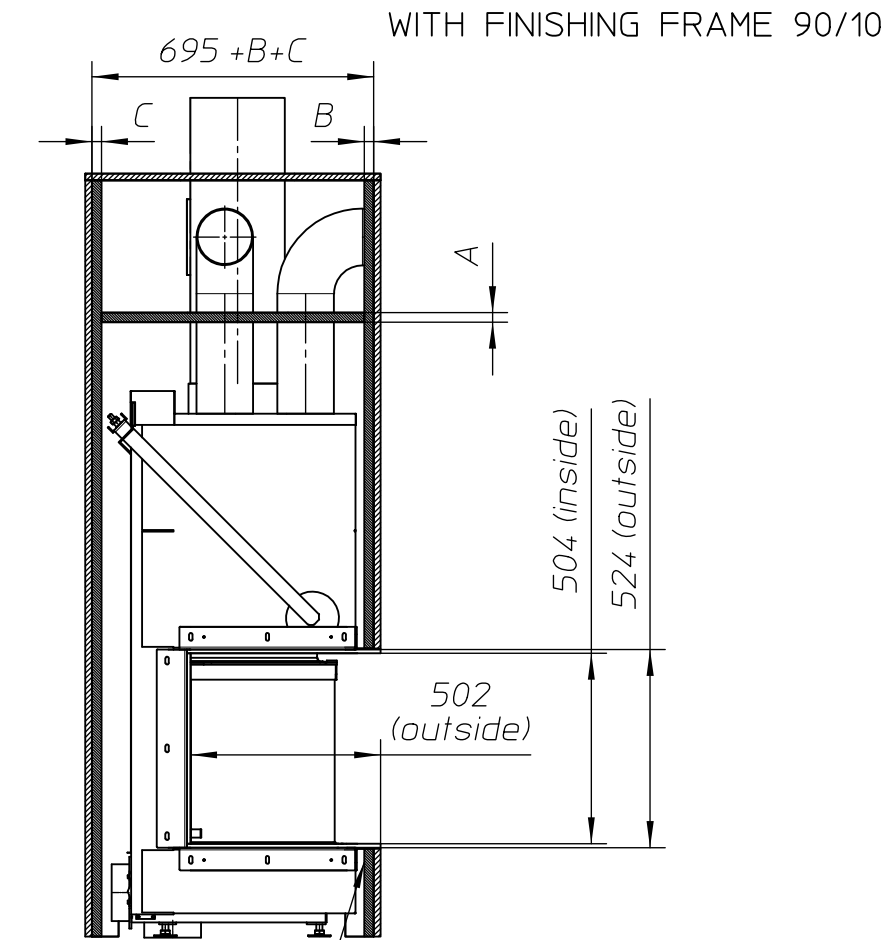


Detail2

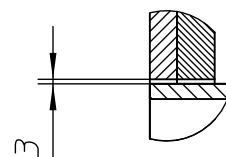


R 800

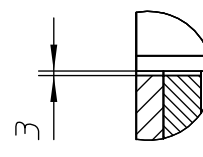
R 800



Min. 13mm between fireplace and insulation



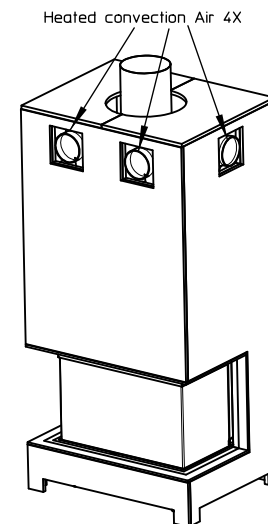
Detail1 Scale 1:5



Detail2 Scale 1:5

Combustible finishing material

Insulation



Heated convection Air 4X