

HAKA 63/51W, 63/51WI

Technical data
Version 07/2015

OPERATION WHEN DIRECTLY CONNECTED TO CHIMNEY	HAKA 63/51 W	HAKA 63/51 WI
Tested according to	EN 13229	EN 13229
Nominal heat power / Power absorbed to water	15 / 10 kW	15 / 11,3 kW
Efficiency	> 80 %	> 80 %
Consumption of wood	4 kg/h	4 kg/h
Mass flow of flue gas	13 g/s	13 g/s
Average flue gas temperature on the output	225 °C	225 °C
Heat distribution		
fireplace insert	18 %	8 %
door glass (single / double)	- / 17 %	- / 17 %
water	65 %	75 %
Required chimney pressure	12 Pa	12 Pa
Required amount of combustion air	40 m ³ /h	40 m ³ /h
Minimum supply air grating cross-section	350 cm ²	300 cm ²
Minimum outgoing air grating cross-section	400 cm ²	350 cm ²

WATER EXCHANGER SPECIFICATIONS		
Maximum working pressure	2,5 bar	2,5 bar
Minimum return water temperature	55 °C	55 °C
Water capacity	60 liter	60 liter
Connection input / output	G 1 / G 1	G 1 / G 1

GENERAL TECHNICAL INFORMATION		
Combustion air connection	Ø 125 mm	
Total weight / lining weight	ca. 322 / 96 kg	ca. 330 / 96 kg
Use in non-ventilated accumulation builds according to craft rules	suitable	
Meets values	BlmSchV (Stufe2), 15a BVG	

HAKA 63/51W+, 63/51WI+

Technical data
Version 07/2015

OPERATION WHEN DIRECTLY CONNECTED TO CHIMNEY	HAKA 63/51 W+	HAKA 63/51 WI+
Tested according to	EN 13229	EN 13229
Nominal heat power / Power absorbed to water	22 / 13,2 kW	22 / 15,4 kW
Efficiency	> 80 %	> 80 %
Consumption of wood	6 kg/h	6 kg/h
Mass flow of flue gas	17 g/s	17 g/s
Average flue gas temperature on the output	250 °C	250 °C
Heat distribution		
fireplace insert	23 %	13 %
door glass (single / double)	- / 17 %	- / 17 %
water	60 %	70 %
Required chimney pressure	12 Pa	12 Pa
Required amount of combustion air	60 m ³ /h	60 m ³ /h
Minimum supply air grating cross-section	600 cm ²	500 cm ²
Minimum outgoing air grating cross-section	700 cm ²	600 cm ²

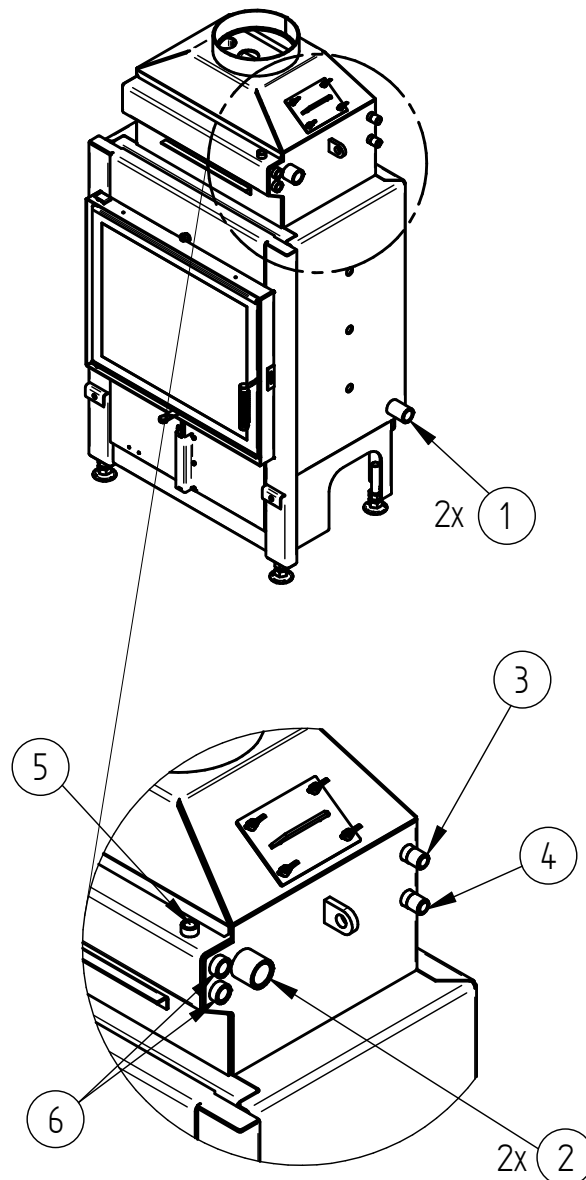
WATER EXCHANGER SPECIFICATIONS		
Maximum working pressure	2,5 bar	2,5 bar
Minimum return water temperature	55 °C	55 °C
Water capacity	60 liter	60 liter
Connection input / output	G 1 1/2 / G 1 1/2	G 1 1/2 / G 1 1/2

GENERAL TECHNICAL INFORMATION		
Combustion air connection	Ø 150 mm	
Total weight / lining weight	ca. 322 / 96 kg	ca. 330 / 96 kg
Use in non-ventilated accumulation builds according to craft rules	suitable	
Meets values	BlmSchV (Stufe2), 15a BVG	

HAKA 63/51W, WI, W+, WI+

Technical data
Version 07/2015

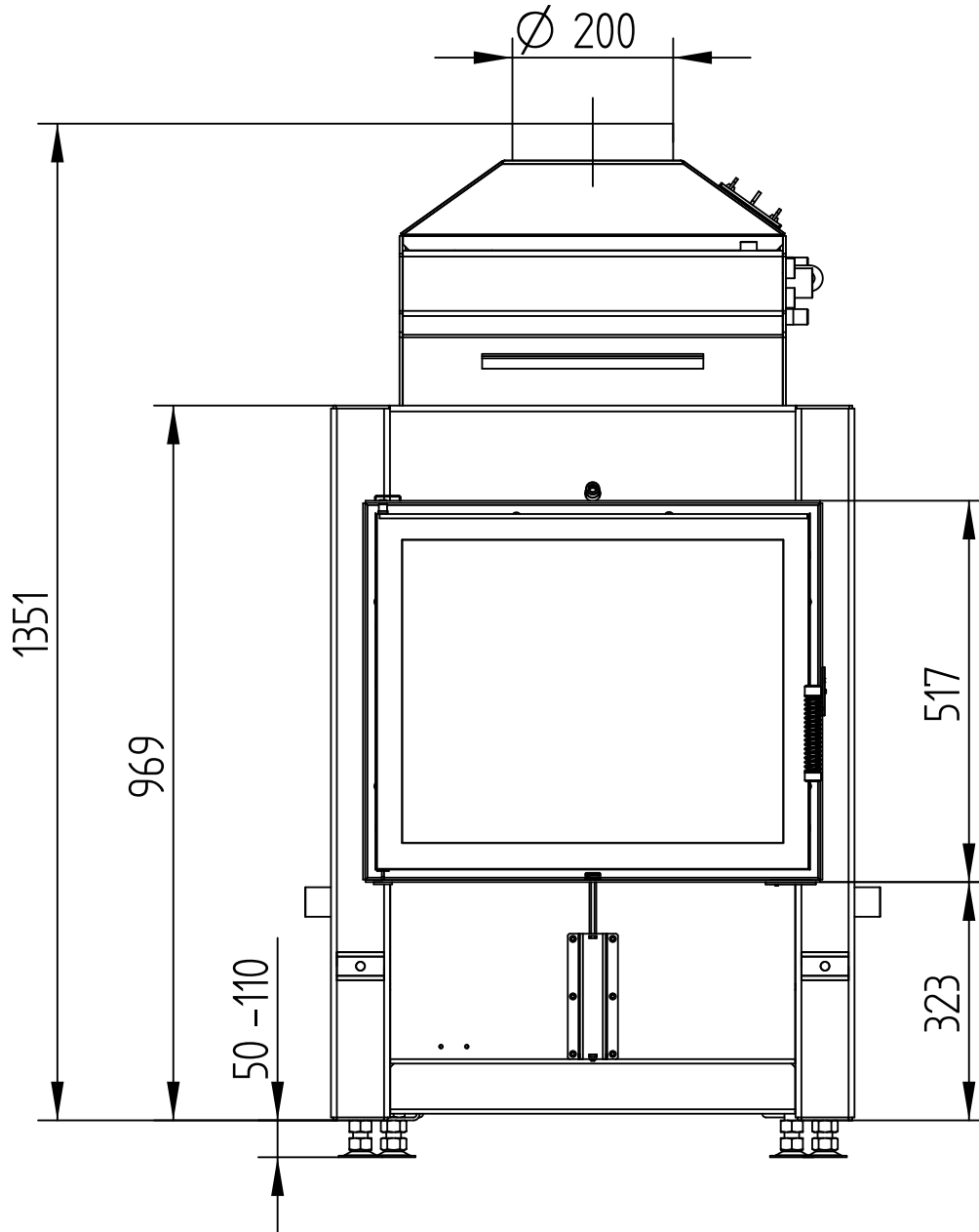
NR.	THREAD SIZE		DESCRIPTION
	63/51W, WI	63/51W+, WI+	
1	G 1" (IG)	G 1 1/2" (IG)	Water supply from heating system - min. 55°C
2	G 1" (IG)	G 1 1/2" (IG)	Hot water supply to heating system
3	G 1/2" (AG)	G 1/2" (AG)	Water supply from the waterlines into the cooling loop
4	G 1/2" (AG)	G 1/2" (AG)	Discharge of water from the cooling loop into the waste
5	G 3/8" (IG)	G 3/8" (IG)	Pocket for air vent valve
6	G 1/2" (IG)	G 1/2" (IG)	Pocket for thermal sensors



HAKA 63/51W, 63/51W+

Technical data
Version 07/2015

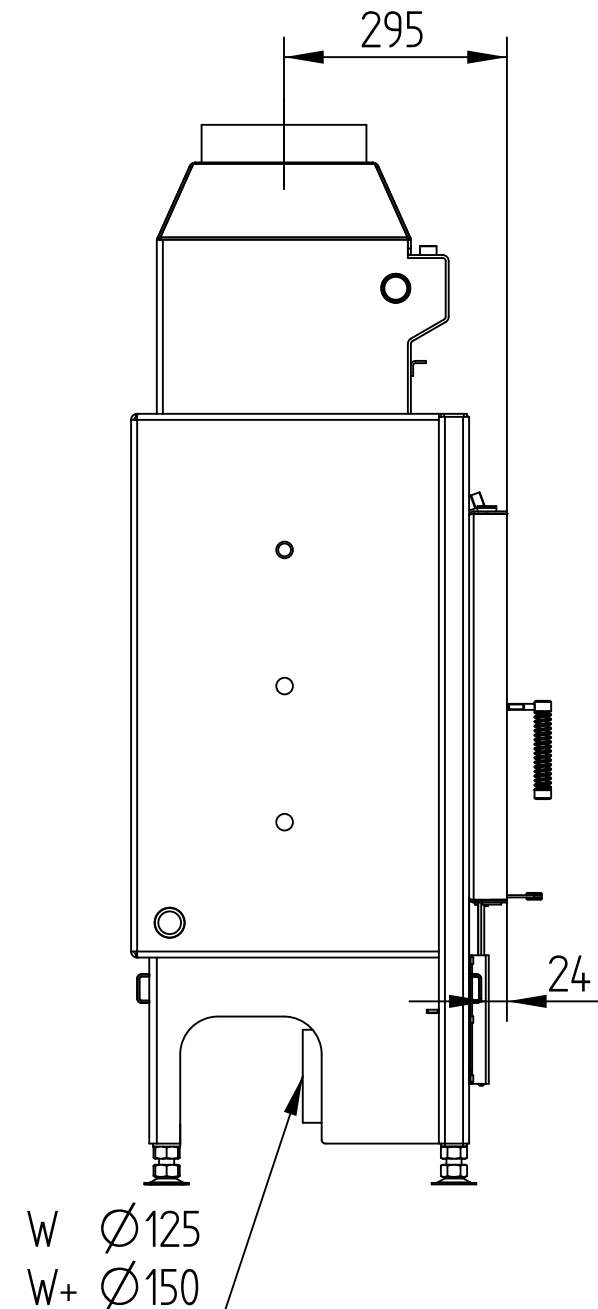
M 1 : 10



HAKA 63/51W, 63/51W+

Technical data
Version 07/2015

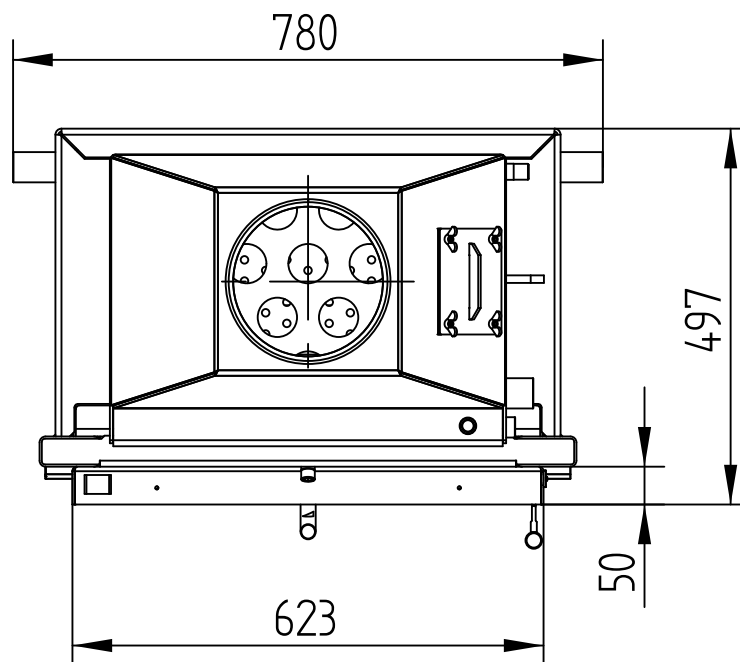
M 1 : 10



HAKA 63/51W, 63/51W+

Technical data
Version 07/2015

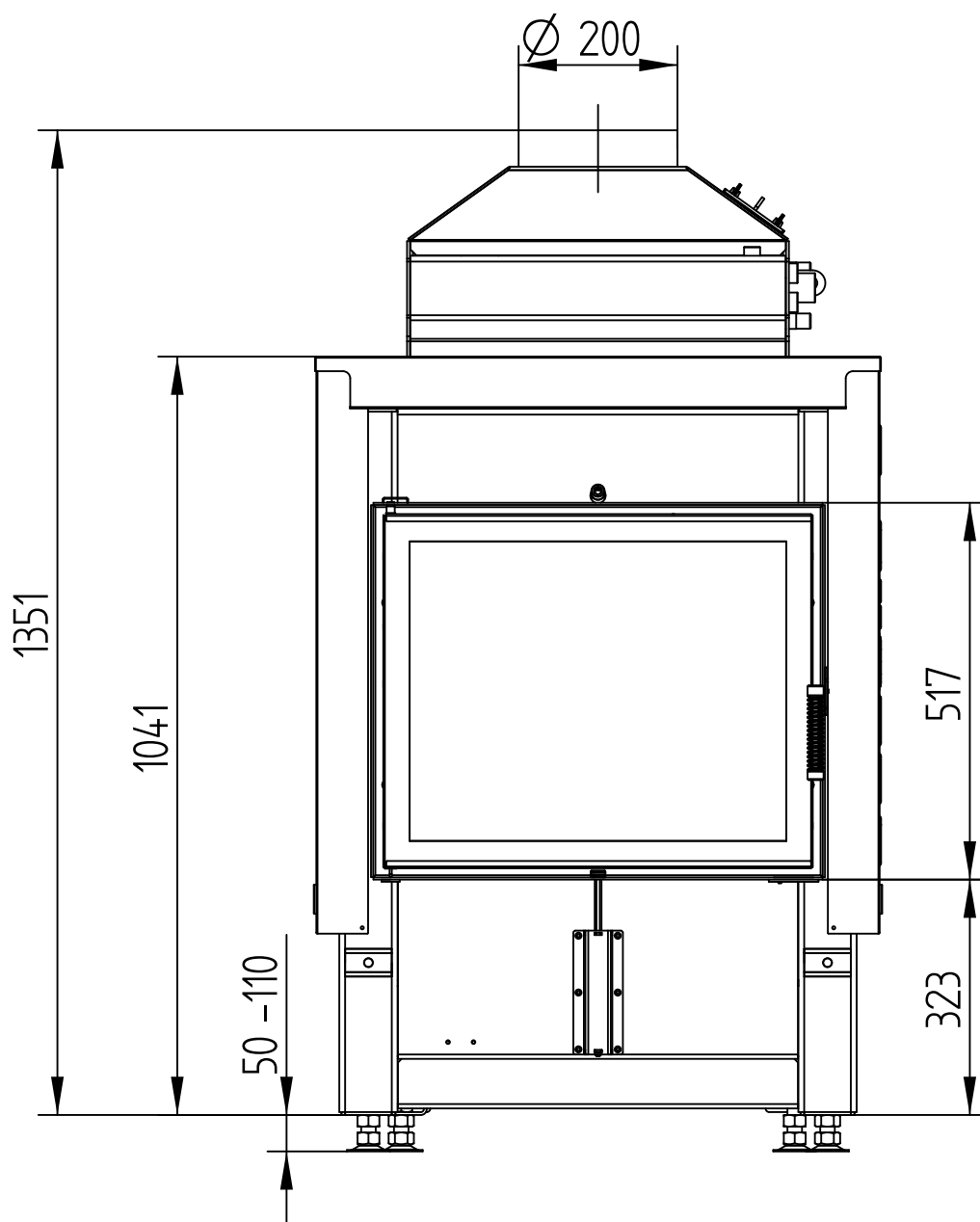
M 1 : 10



HAKA 63/51WI, 63/51WI+

Technical data
Version 07/2015

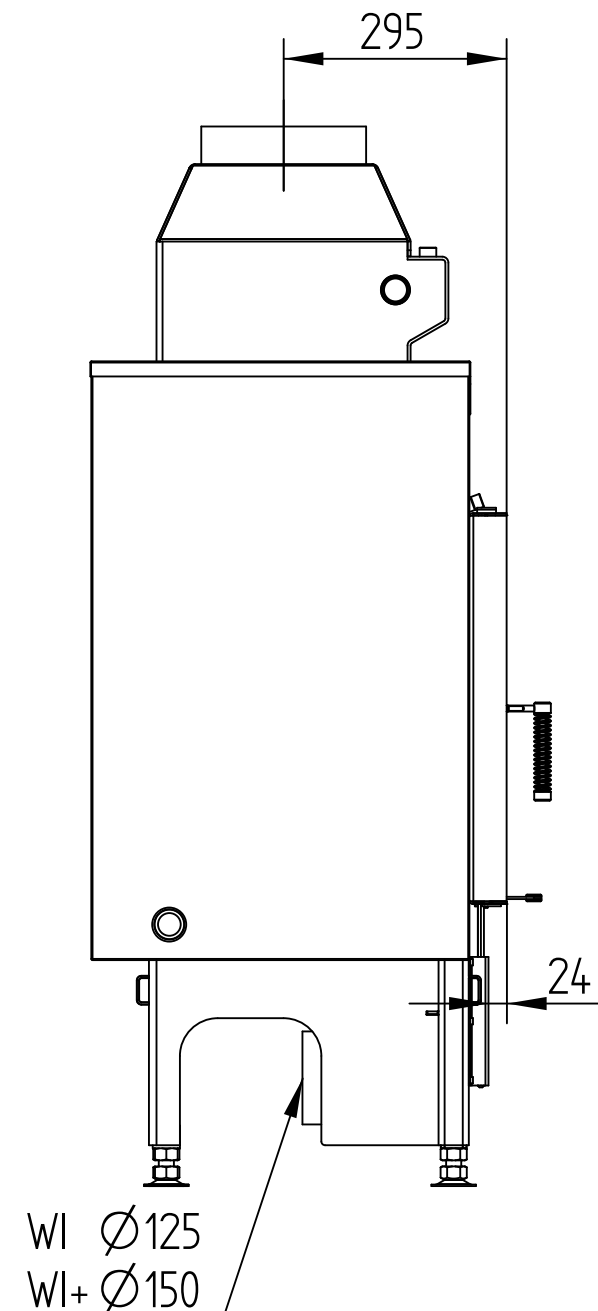
M 1 : 10



HAKA 63/51WI, 63/51WI+

Technical data
Version 07/2015

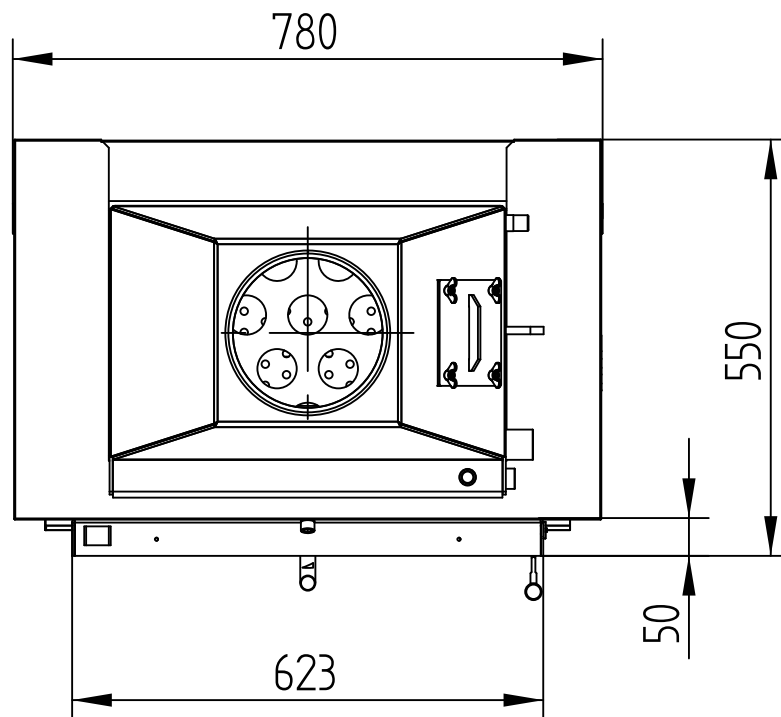
M 1 : 10



HAKA 63/51WI, 63/51WI+

Technical data
Version 07/2015

M 1 : 10

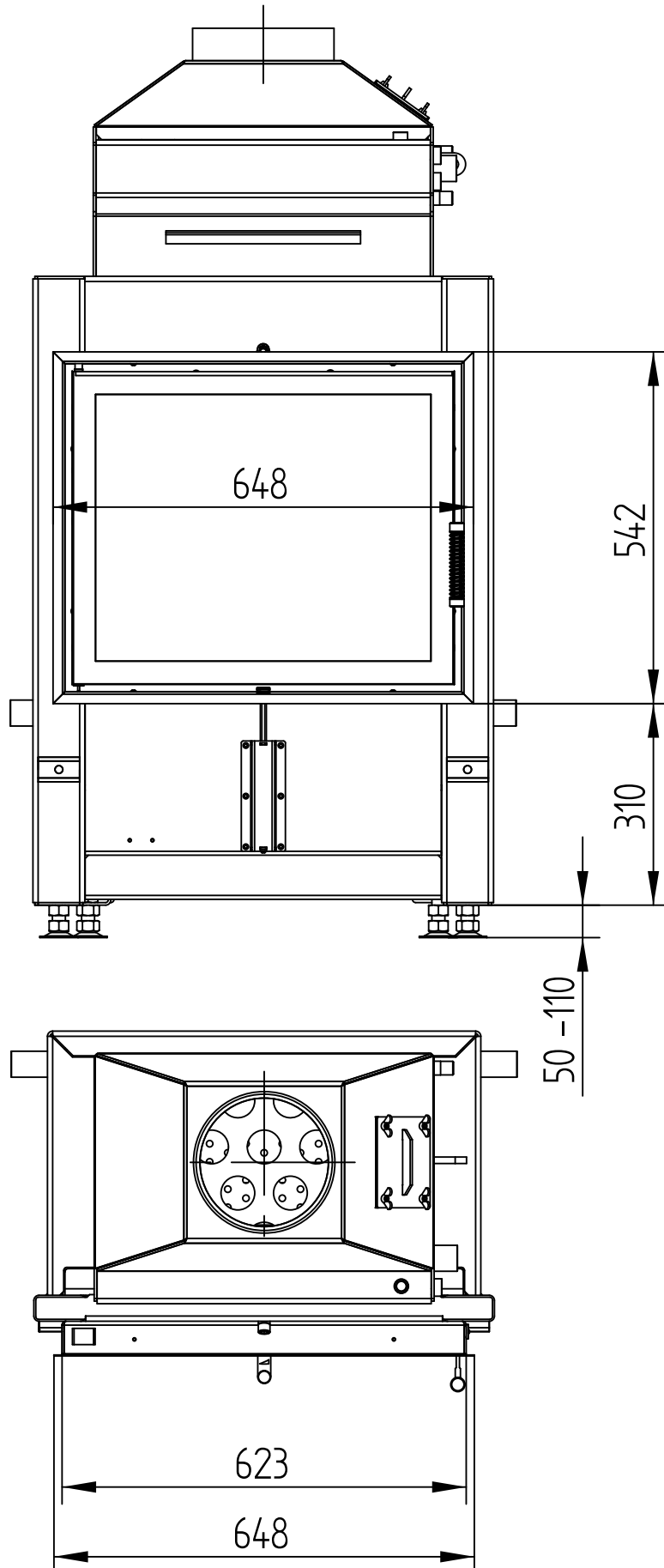


HAKA 63/51W

Technical data
Version 07/2015

COVER FRAME 4-SIDED 1 x 90°

M 1 : 10

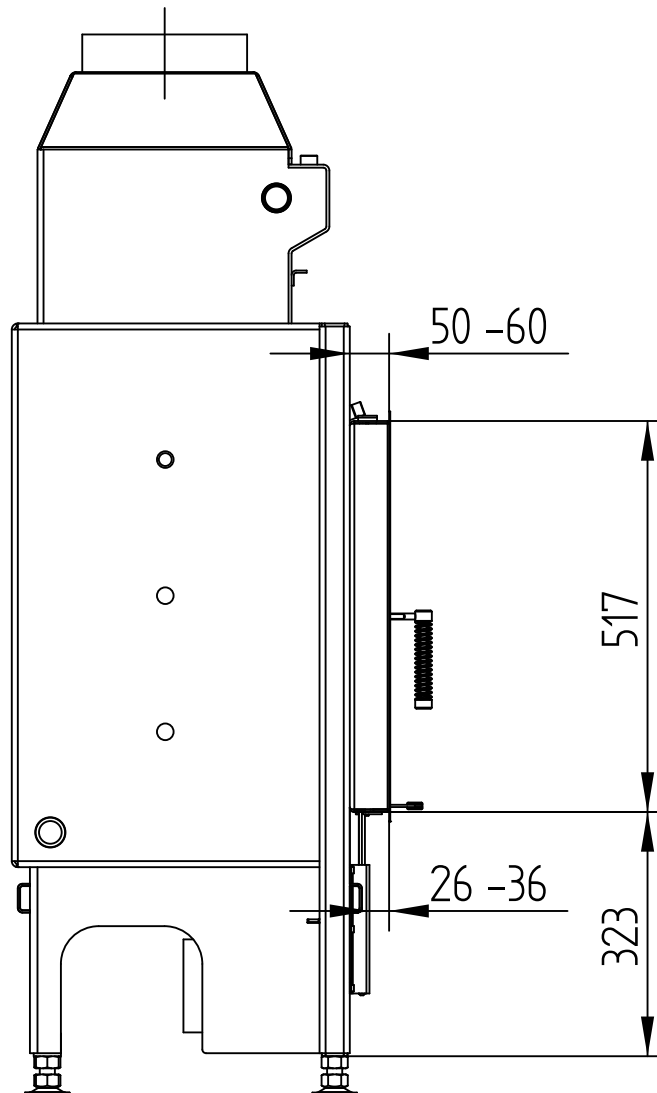


HAKA 63/51W

COVER FRAME 4-SIDED 1 x 90°

Technical data
Version 07/2015

M 1 : 10

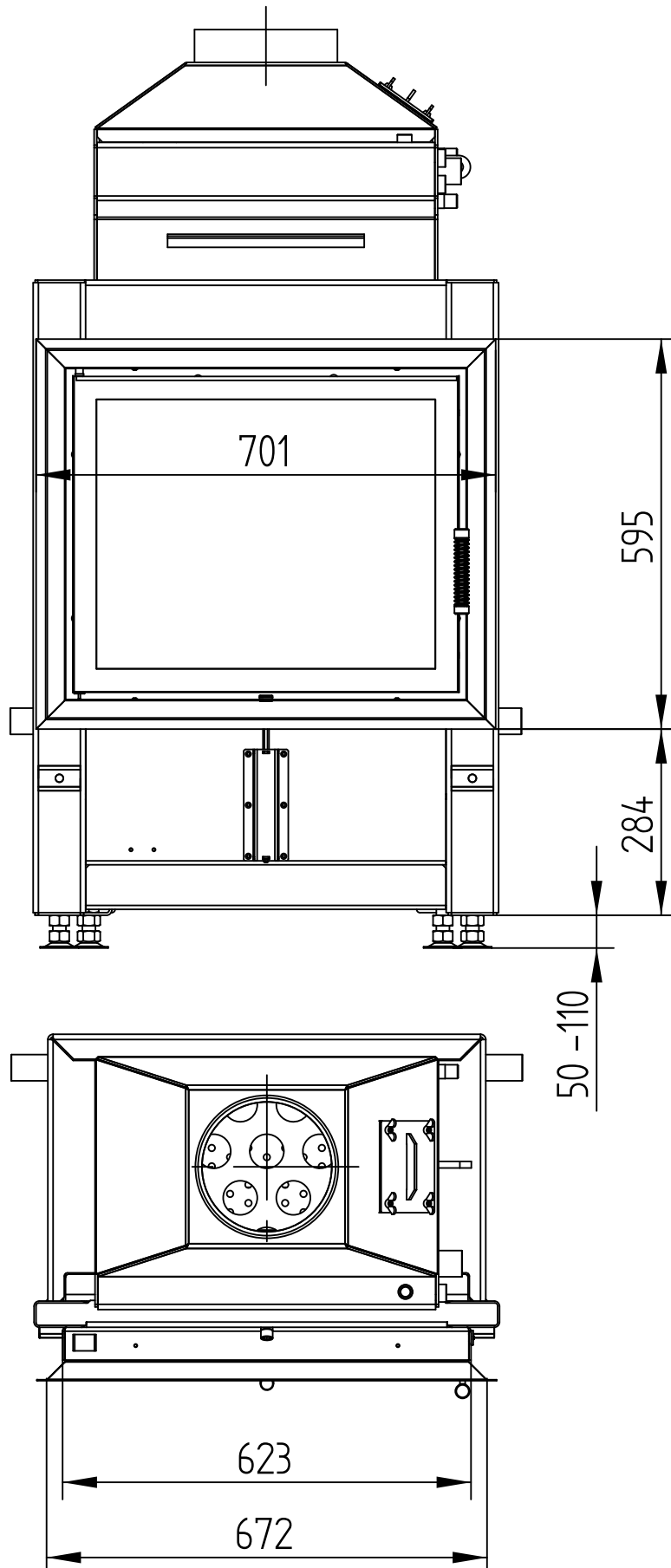


HAKA 63/51W

COVER FRAME 4-SIDED 2 x 45°

Technical data
Version 07/2015

M 1 : 10



HAKA 63/51W

COVER FRAME 4-SIDED 2 x 45°

Technical data
Version 07/2015

M 1 : 10

