

OPERATION WHEN DIRECTLY CONNECTED TO CHIMNEY	
Tested according to	EN 13229
Nominal heat power	12 kW
Efficiency	> 80 %
Consumption of wood	3,6 kg/h
Mass flow of flue gas	10 g/s
Average flue gas temperature on the output	334 °C
Heat distribution	
fireplace insert	62–81 %
door glass (single / double)	38 / 19 %
Required chimney pressure	12 Pa
Required amount of combustion air	40 m ³ /h
Minimum supply air grating cross-section	1 200 cm ²
Minimum outgoing air grating cross-section	1 400 cm ²

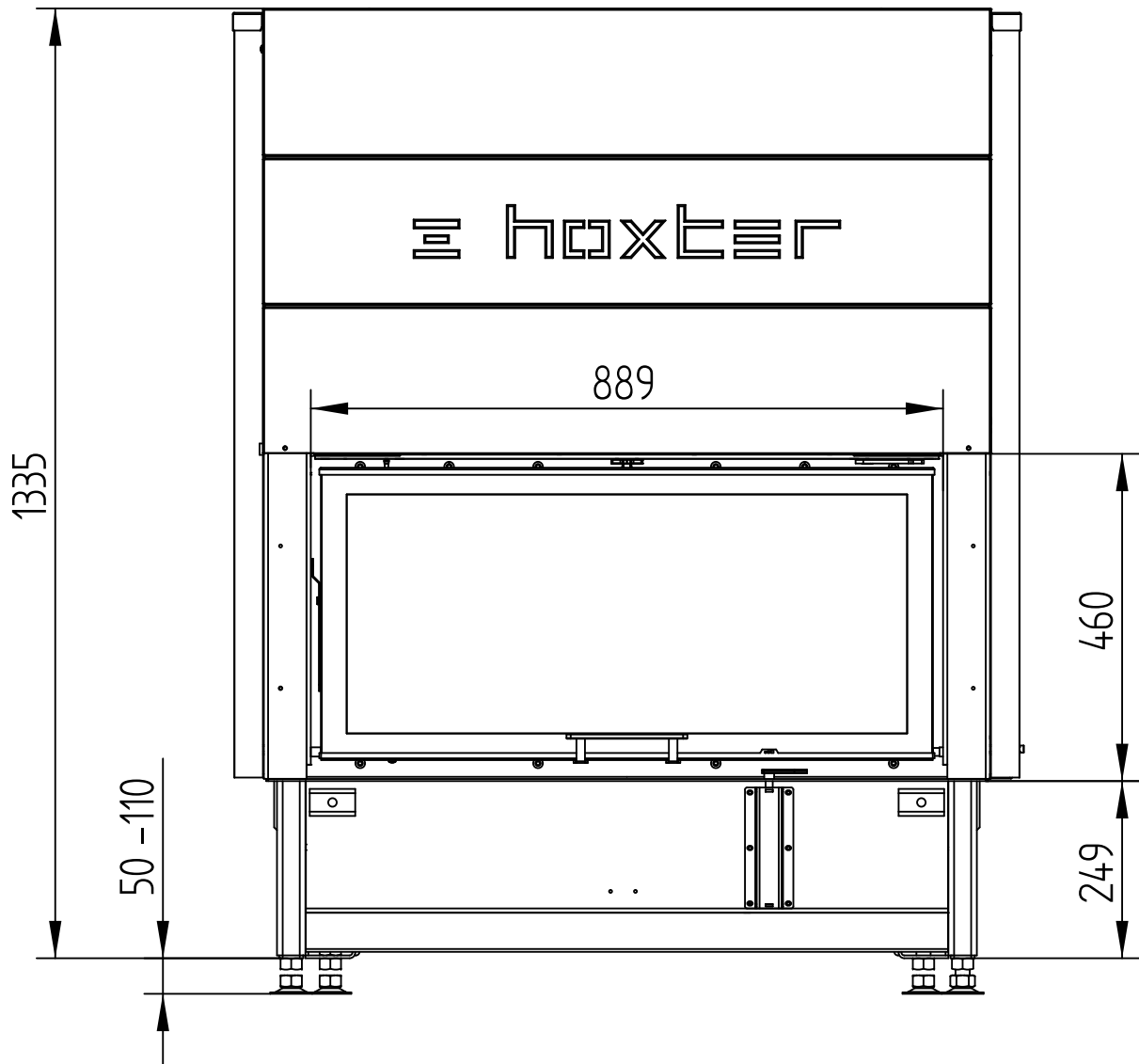
OPERATION WITH CONNECTED ACCUMULATION MASS	
Load of wood	5,5 kg
Total heat output of the burning chamber	22 kW
Mass flow of flue gas	20 g/s
Average flue gas temperature on the output ¹⁾ past 3,4 m of ceramic accumulation system KMS 300 ²⁾	396 °C 190 °C
Heat distribution	
fireplace insert	45 %
door glass (single / double)	38 / 19 %
adjoining accumulation mass	17–36 %
Required chimney pressure	12 Pa
Minimum radiant area ³⁾	ca. 5 m ²
Required amount of combustion air	60 m ³ /h

GENERAL TECHNICAL INFORMATION	
Combustion air connection	Ø 125 mm
Total weight / lining weight	ca. 334 / 109 kg
Use in non-ventilated accumulation builds according to craft rules	suitable
Meets values	BlmSchV (Stufe2), 15a BVG

1) The Hoxter products are available in the Austrian stove-calculation program for evaluation of firebrick accumulation systems.

2) Only a sample calculation! For accurate results is evaluation of each system in the KMS-calculation program from the Ortner company necessary.

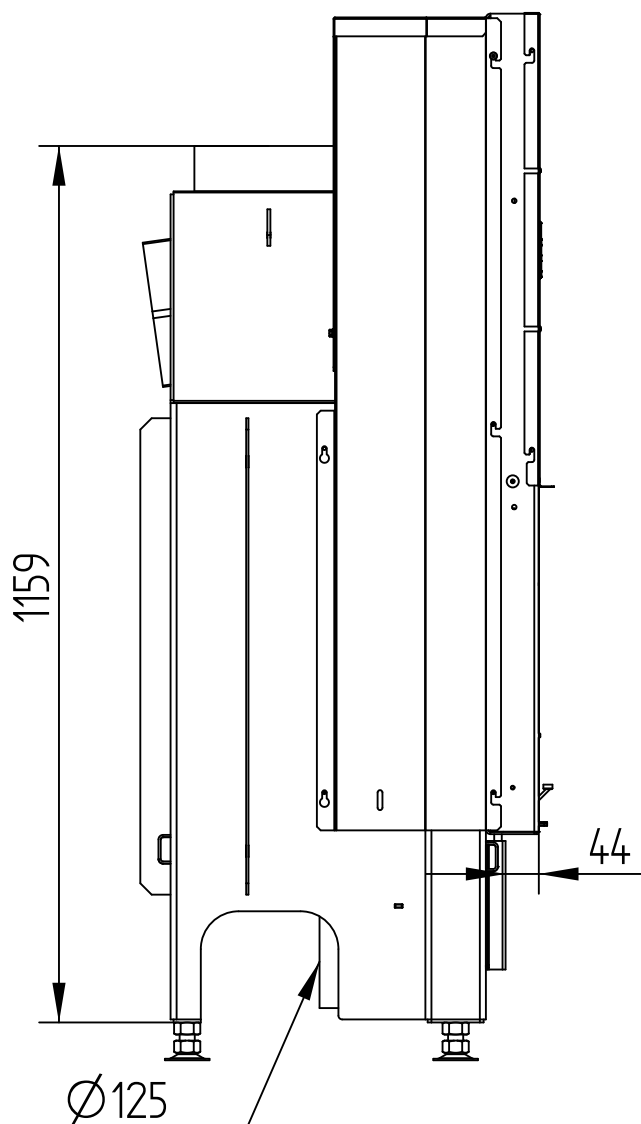
3) Depends on accumulation period and material characteristics and its thickness. Calculated with heat emission of the radiant area ca. 500 W/m².hr

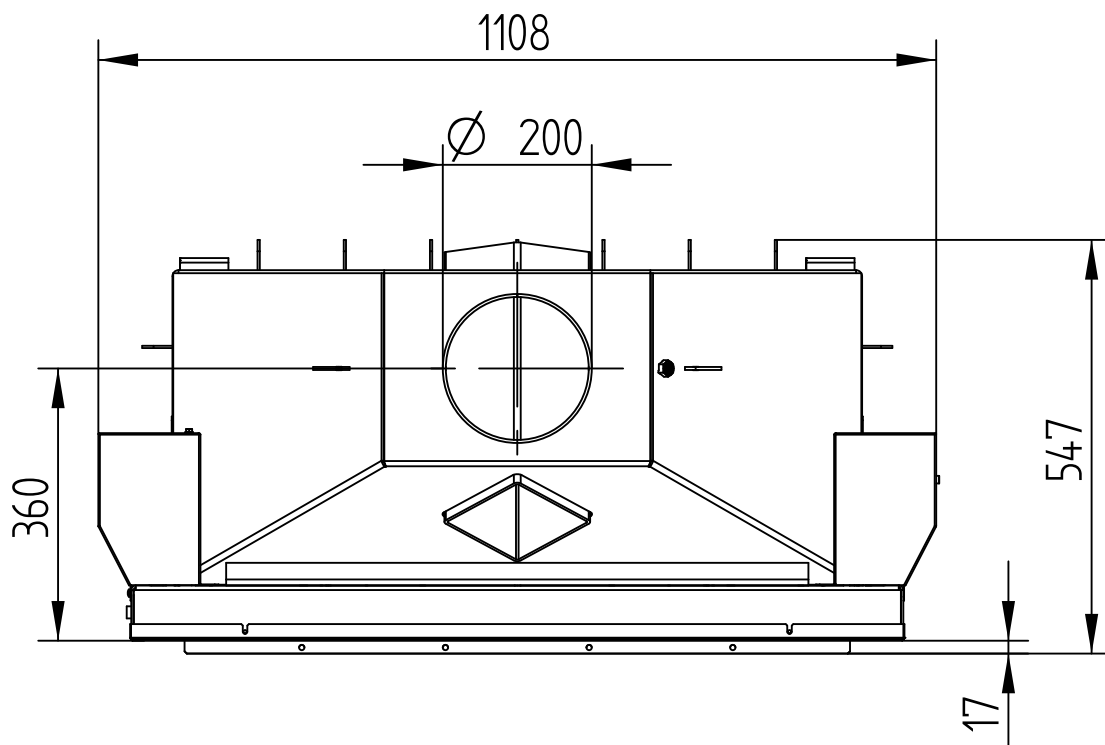


HAKA 89/45h

Technical data
Version 07/2015

M 1 : 10



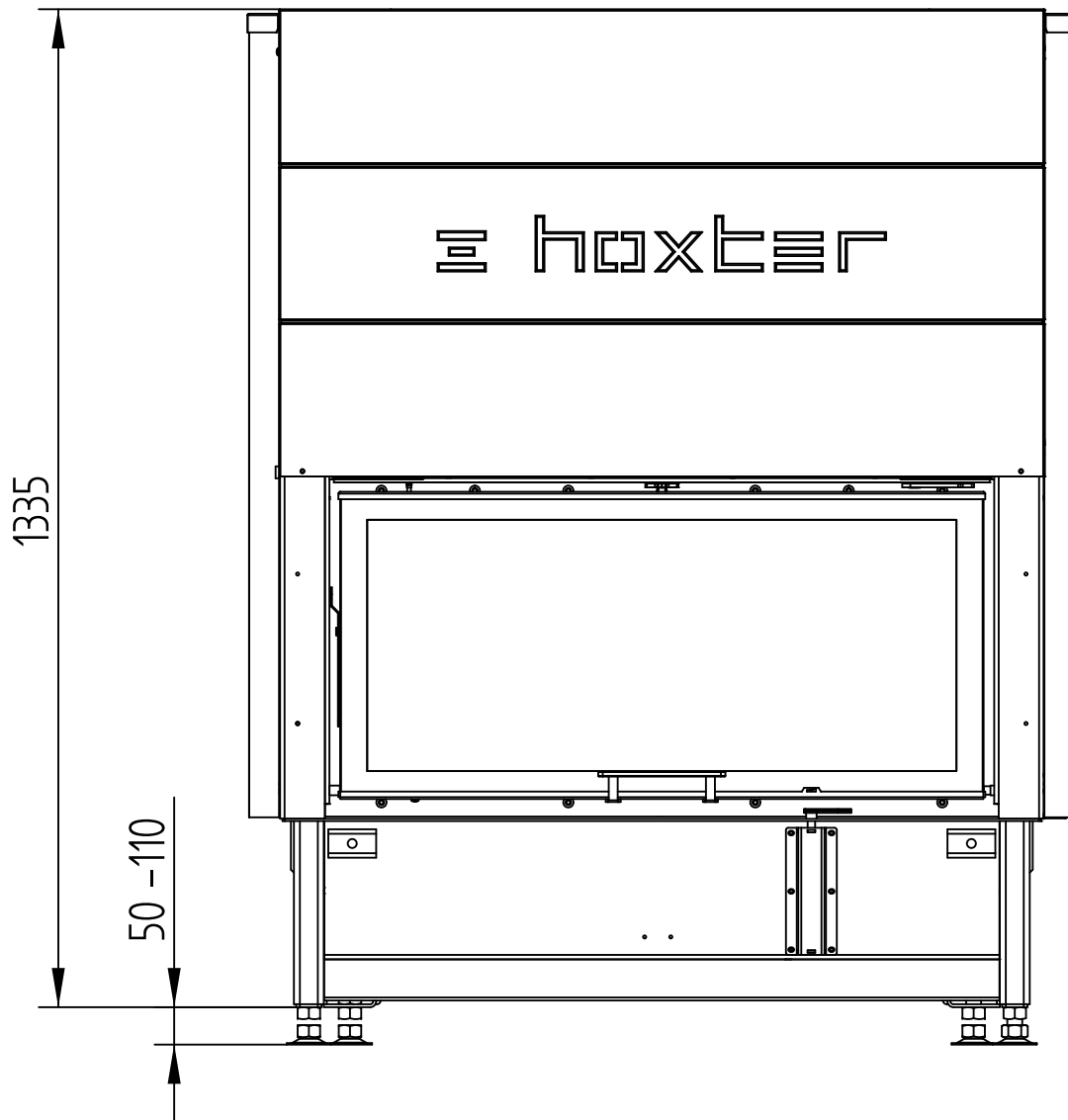


HAKA 89/45h

HOT AIR JACKET

Technical data
Version 07/2015

M 1 : 10

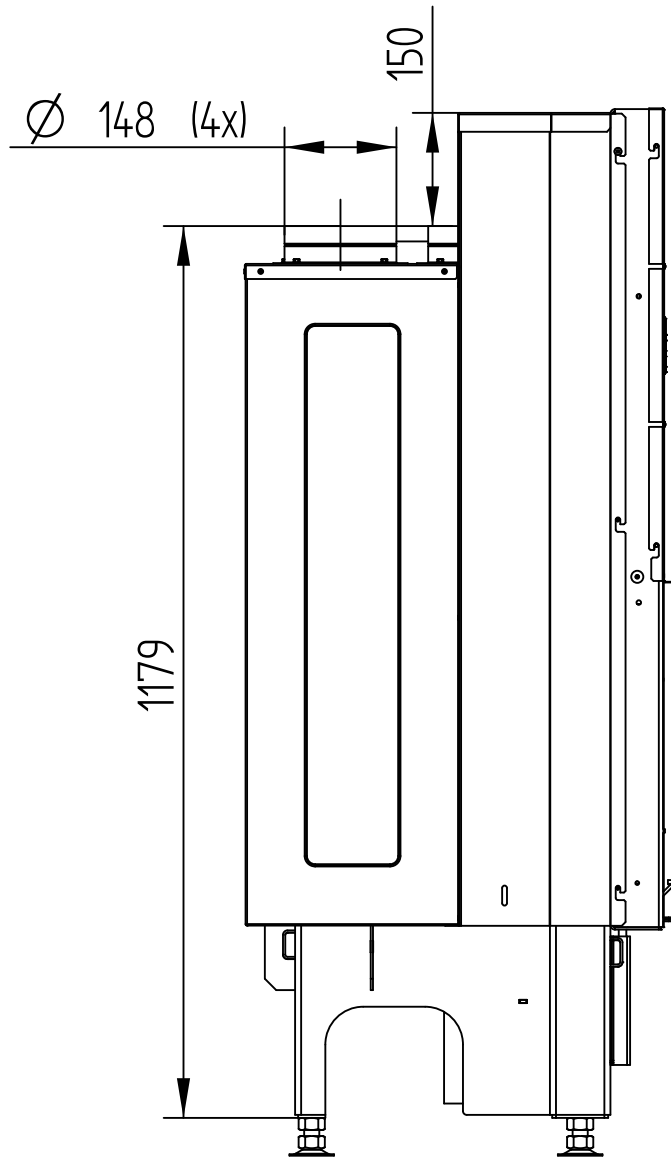


HAKA 89/45h

HOT AIR JACKET

Technical data
Version 07/2015

M 1 : 10

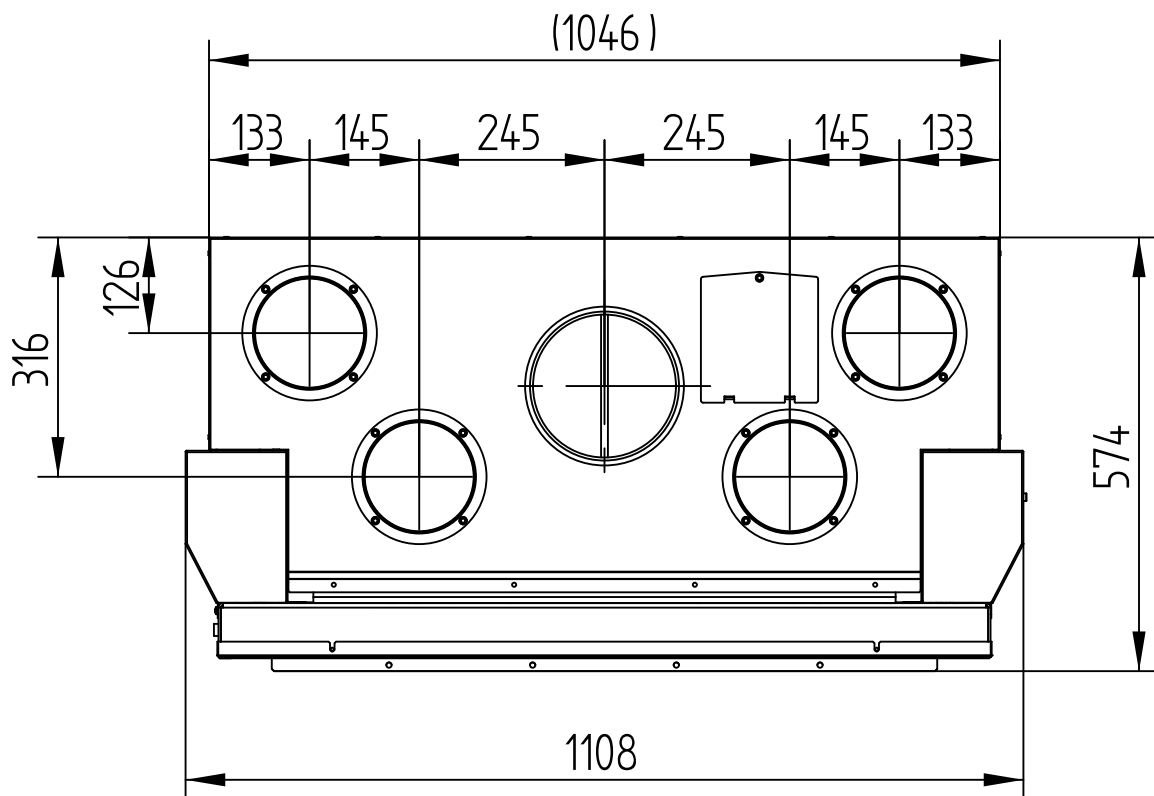


HAKA 89/45h

HOT AIR JACKET

Technical data
Version 07/2015

M 1 : 10

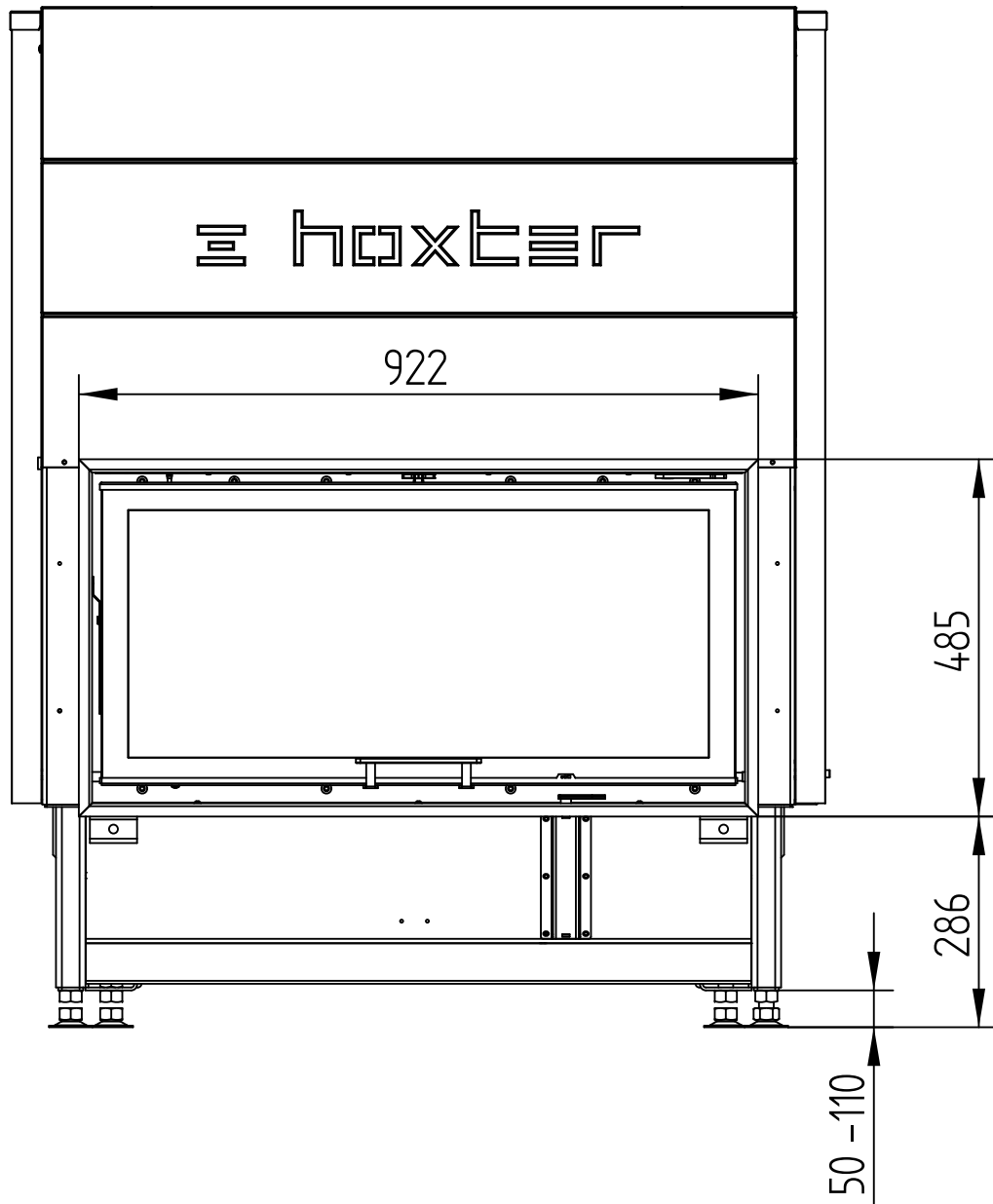


HAKA 89/45h

Technical data
Version 07/2015

COVER FRAME 4-SIDED 1 x 90°, 50 mm

M 1 : 10

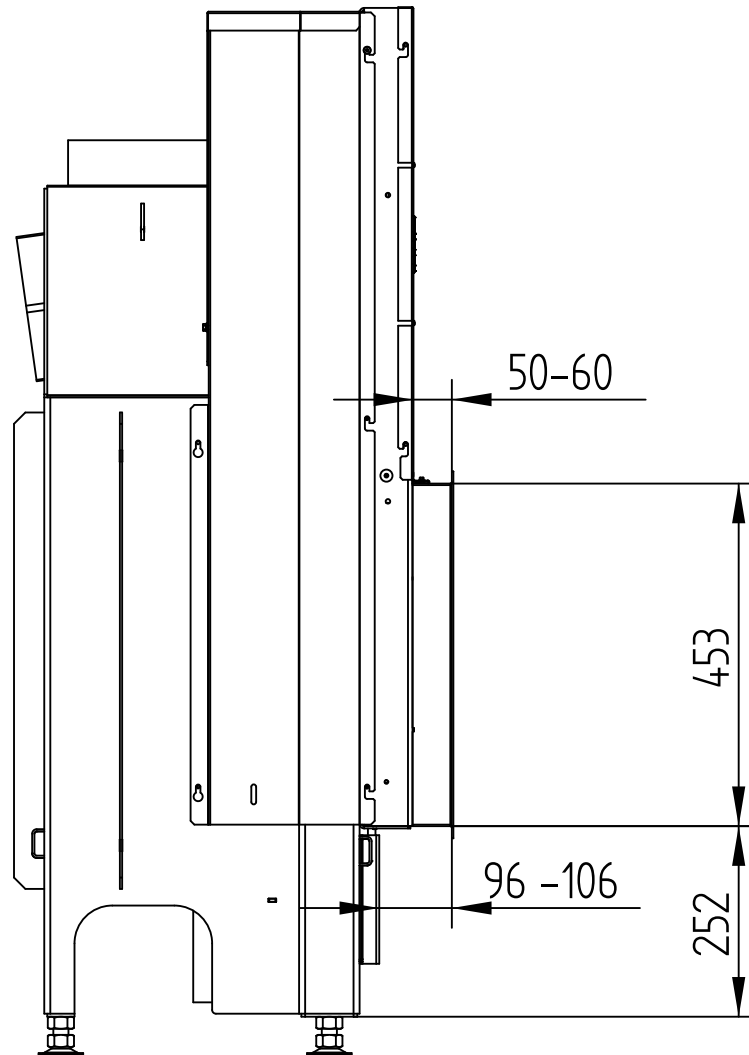


HAKA 89/45h

Technical data
Version 07/2015

COVER FRAME 4-SIDED 1 x 90°, 50 mm

M 1 : 10

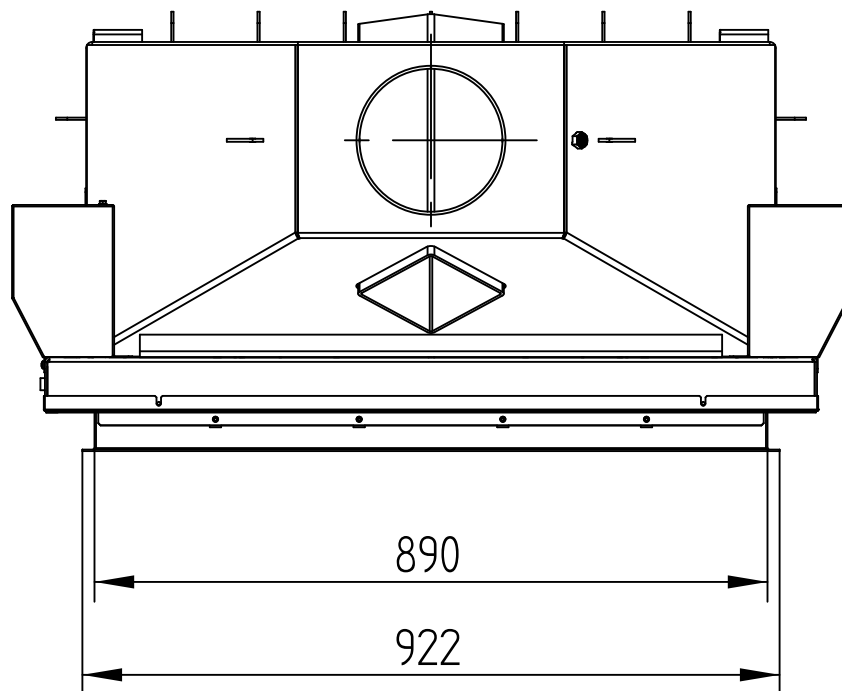


HAKA 89/45h

Technical data
Version 07/2015

COVER FRAME 4-SIDED 1 x 90°, 50 mm

M 1 : 10

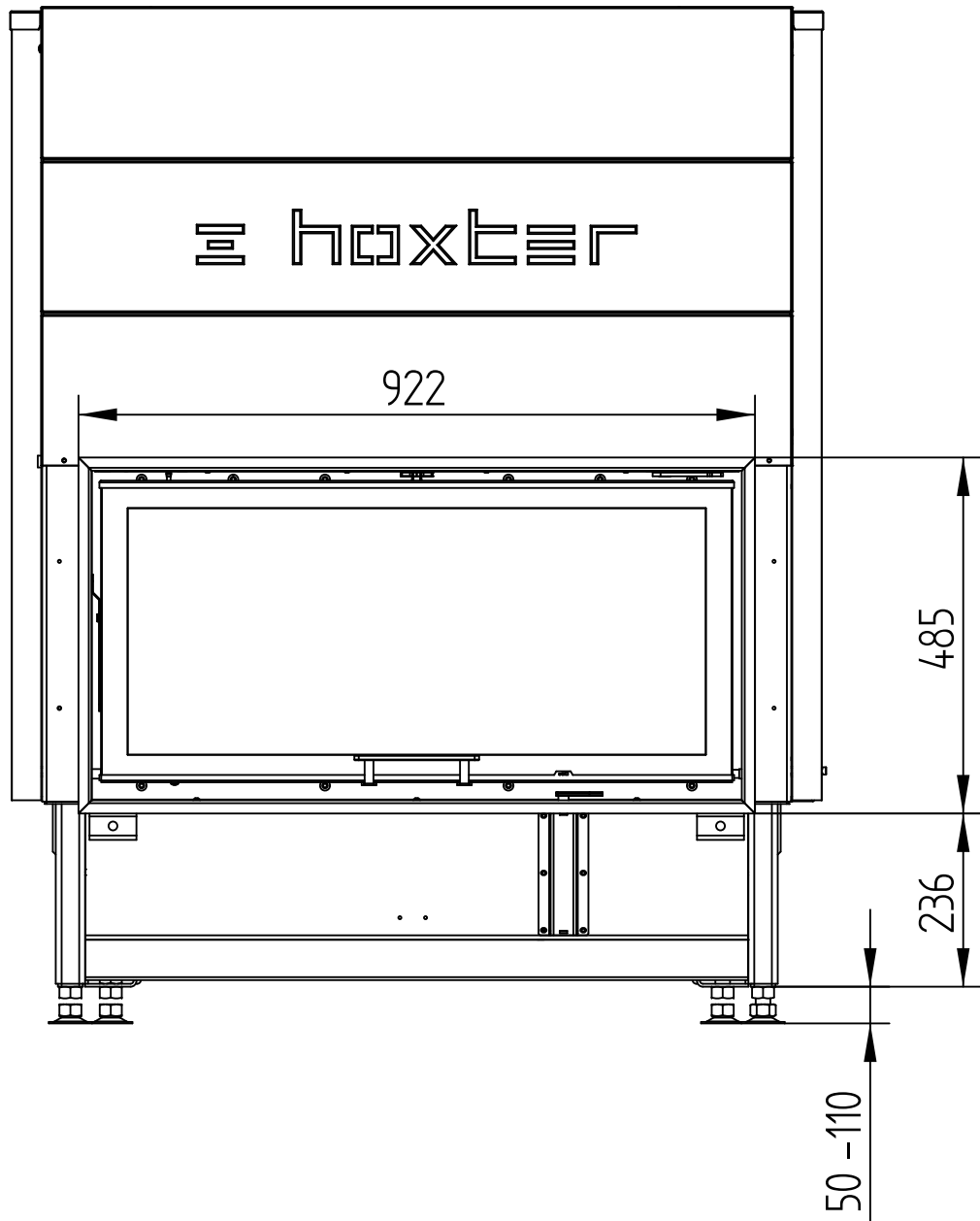


HAKA 89/45h

Technical data
Version 07/2015

COVER FRAME 4-SIDED 1 x 90°, 80 mm

M 1 : 10

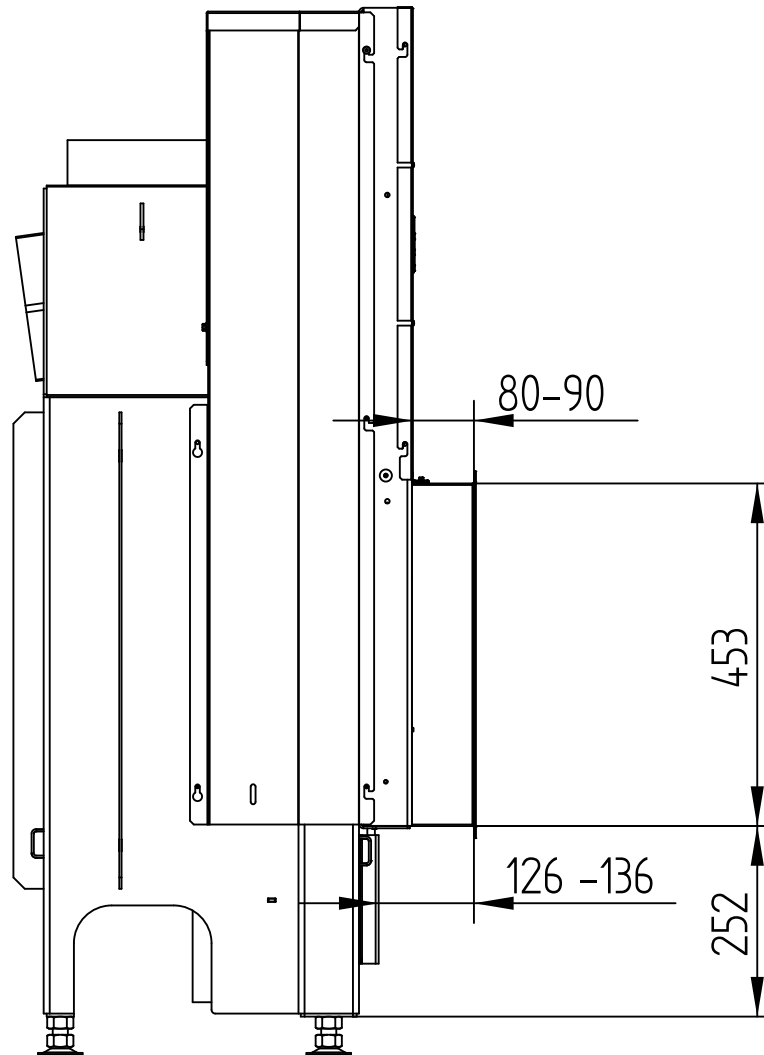


HAKA 89/45h

Technical data
Version 07/2015

COVER FRAME 4-SIDED 1 x 90°, 80 mm

M 1 : 10

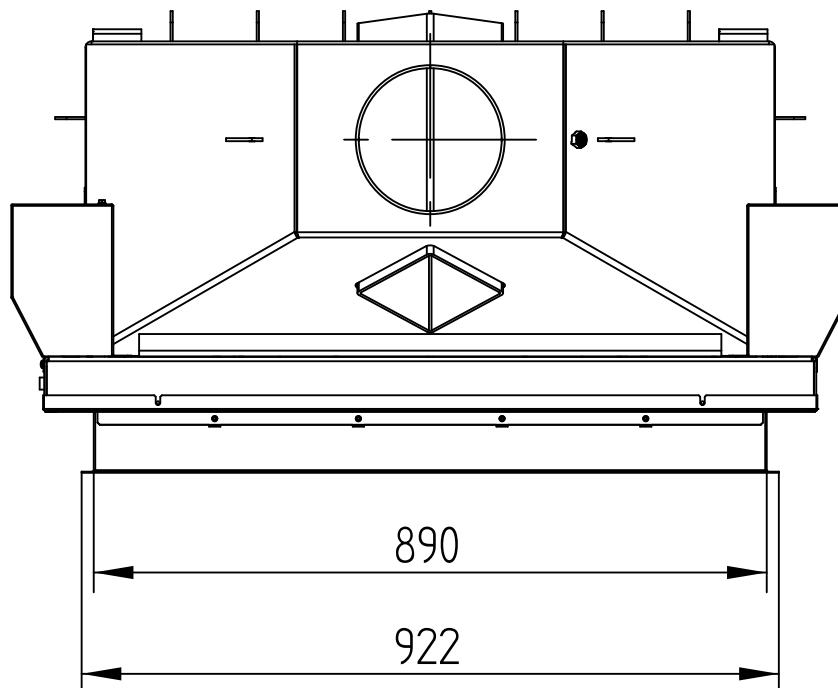


HAKA 89/45h

Technical data
Version 07/2015

COVER FRAME 4-SIDED 1 x 90°, 80 mm

M 1 : 10

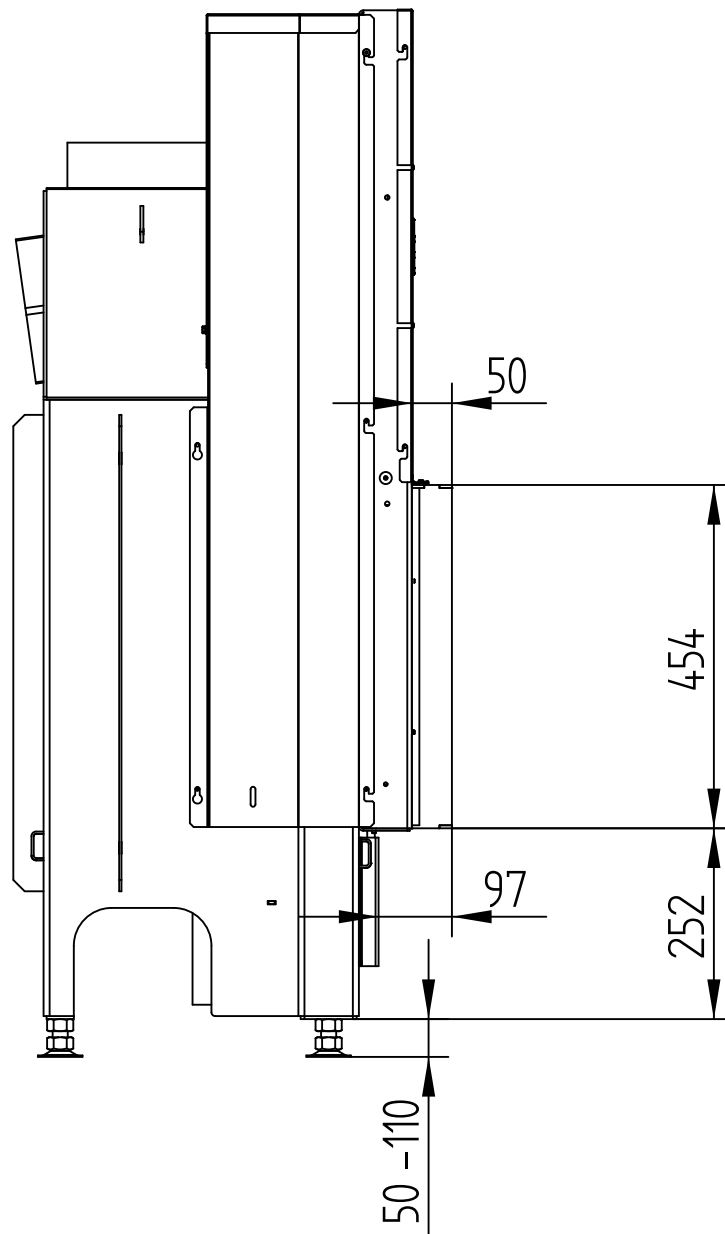


HAKA 89/45h

BUILD-ON FRAME 4-SIDED, 50 mm

Technical data
Version 07/2015

M 1 : 10

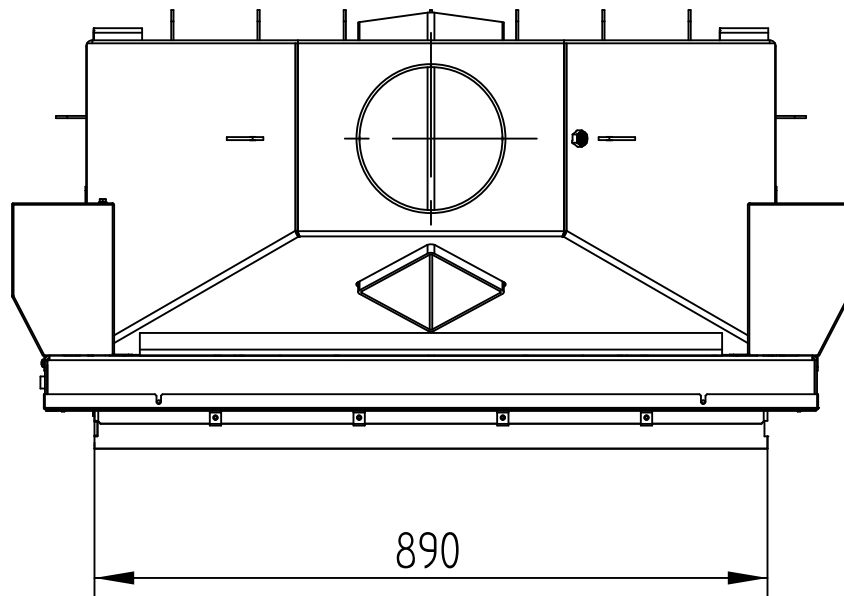


HAKA 89/45h

BUILD-ON FRAME 4-SIDED, 50 mm

Technical data
Version 07/2015

M 1 : 10

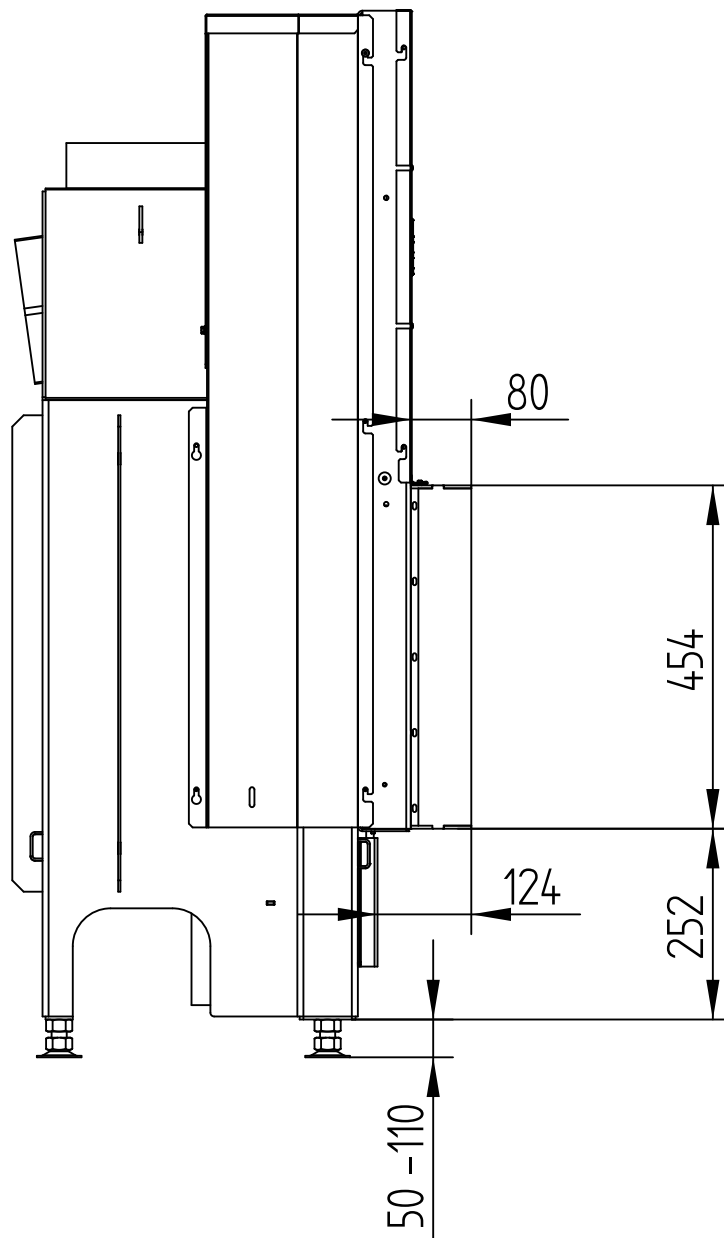


HAKA 89/45h

BUILD-ON FRAME 4-SIDED, 80 mm

Technical data
Version 07/2015

M 1 : 10



HAKA 89/45h

BUILD-ON FRAME 4-SIDED, 80 mm

Technical data
Version 07/2015

M 1 : 10

