

HAKA 78/57W, 78/57WI



Technical data
Version 01/2018

OPERATION WHEN DIRECTLY CONNECTED TO CHIMNEY	HAKA 78/57 Wh	HAKA 78/57 WIh
Tested according to	EN 13229	EN 13229
Nominal heat power / Power absorbed to water	12,5 / 7 kW	12,5 / 8,1 kW
Efficiency	> 80 %	> 80 %
Consumption of wood	3,8 kg/h	3,8 kg/h
Mass flow of flue gas	10,6 g/s	10,6 g/s
Average flue gas temperature on the output	186 °C	186 °C
Heat distribution		
fireplace insert	22 %	13 %
door glass (single / double)	- / 22 %	- / 22 %
water	56 %	65 %
Required chimney pressure	12 Pa	12 Pa
Required amount of combustion air	40 m ³ /h	40 m ³ /h
Minimum supply air grating cross-section	350 cm ²	300 cm ²
Minimum outgoing air grating cross-section	400 cm ²	350 cm ²

WATER EXCHANGER SPECIFICATIONS		
Maximum working pressure	2,5 bar	2,5 bar
Minimum return water temperature	55 °C	55 °C
Water capacity	75 liter	75 liter
Connection input / output	G 1 / G 1	G 1 / G 1

GENERAL TECHNICAL INFORMATION		
Combustion air connection	Ø 125 mm	
Total weight / lining weight	ca. 385 / 113 kg	ca. 400 / 113 kg
Use in non-ventilated accumulation builds according to craft rules	suitable	
Meets values	BlmSchV (Stufe2), 15a BVG	

HAKA 78/57W+, 78/57WI+

Technical data
Version 01/2018

OPERATION WHEN DIRECTLY CONNECTED TO CHIMNEY	HAKA 78/57 Wh+	HAKA 78/57 WIh+
Tested according to	EN 13229	EN 13229
Nominal heat power / Power absorbed to water	22 / 10 kW	22 / 11 kW
Efficiency	> 80 %	> 80 %
Consumption of wood	6 kg/h	6 kg/h
Mass flow of flue gas	14,9 g/s	14,9 g/s
Average flue gas temperature on the output	215 °C	215 °C
Heat distribution		
fireplace insert	24 %	20 %
door glass (single / double)	- / 30 %	- / 30 %
water	46 %	50 %
Required chimney pressure	12 Pa	12 Pa
Required amount of combustion air	60 m ³ /h	60 m ³ /h
Minimum supply air grating cross-section	600 cm ²	500 cm ²
Minimum outgoing air grating cross-section	700 cm ²	600 cm ²

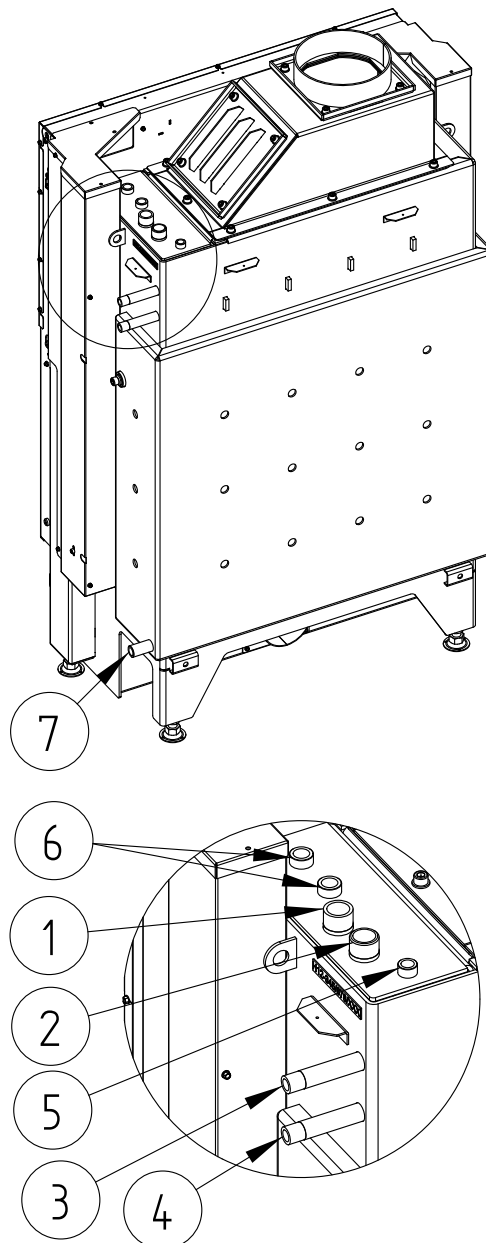
WATER EXCHANGER SPECIFICATIONS		
Maximum working pressure	2,5 bar	2,5 bar
Minimum return water temperature	55 °C	55 °C
Water capacity	75 liter	75 liter
Connection input / output	G 1 / G 1	G 1 / G 1

GENERAL TECHNICAL INFORMATION		
Combustion air connection	Ø 150 mm	
Total weight / lining weight	ca. 385 / 113 kg	ca. 400 / 113 kg
Use in non-ventilated accumulation builds according to craft rules	suitable	
Meets values	BlmSchV (Stufe2), 15a BVG	

HAKA 78/57W, WI, W+, WI+

Technical data
Version 01/2018

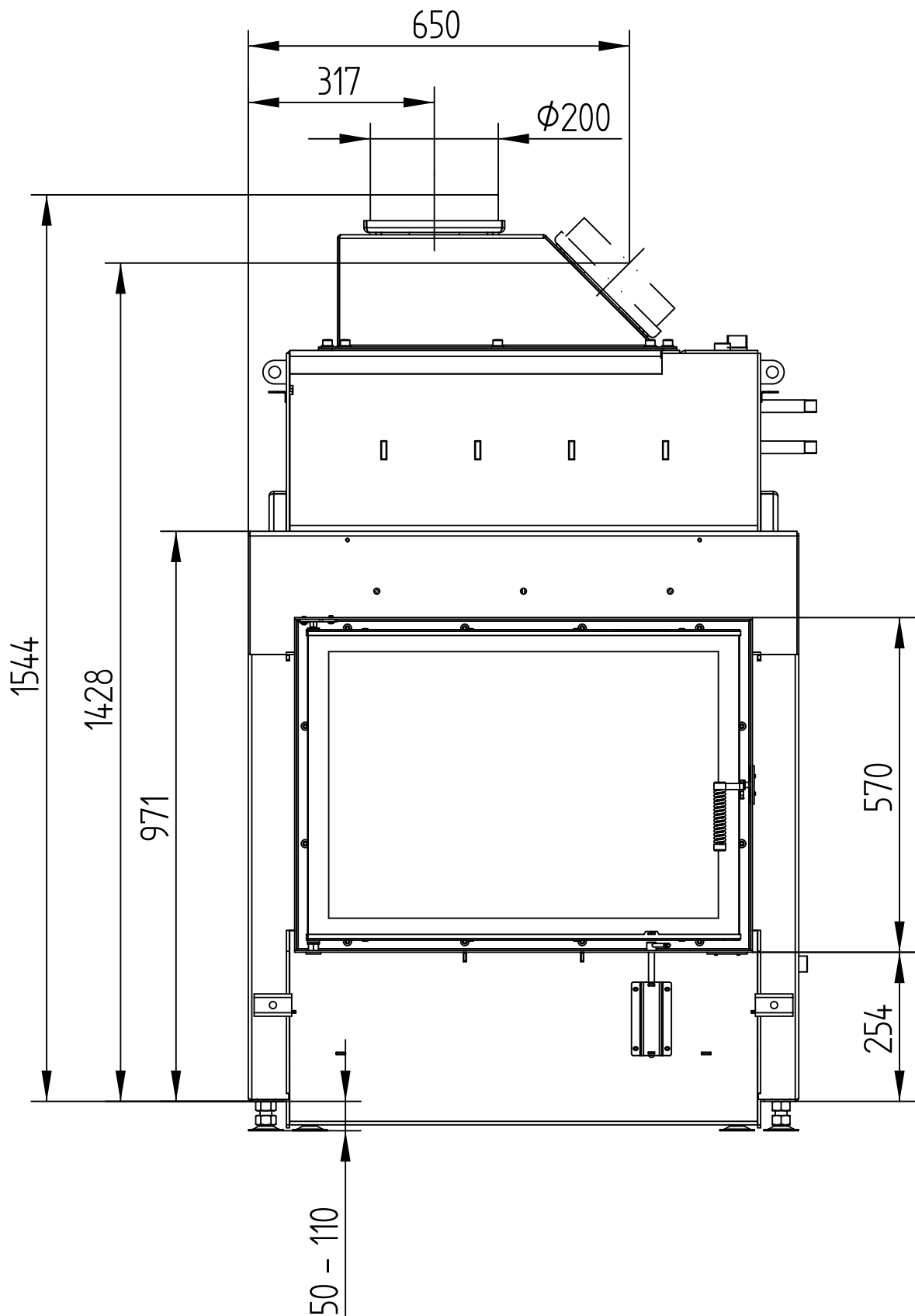
NR.	THREAD SIZE	DESCRIPTION
1	G 1" (AG)	Water supply from heating system - min. 55°C
2	G 1" (AG)	Hot water supply to heating system
3	G 1/2" (AG)	Water supply from the waterlines into the cooling loop
4	G 1/2" (AG)	Discharge of water from the cooling loop into the waste
5	G 3/8" (IG)	Pocket for air vent valve
6	G 1/2" (IG)	Pocket for thermal sensors
7	G 1/2" (IG)	Discharge valve



HAKA 78/57W, 78/57W+

Technical data
Version 01/2018

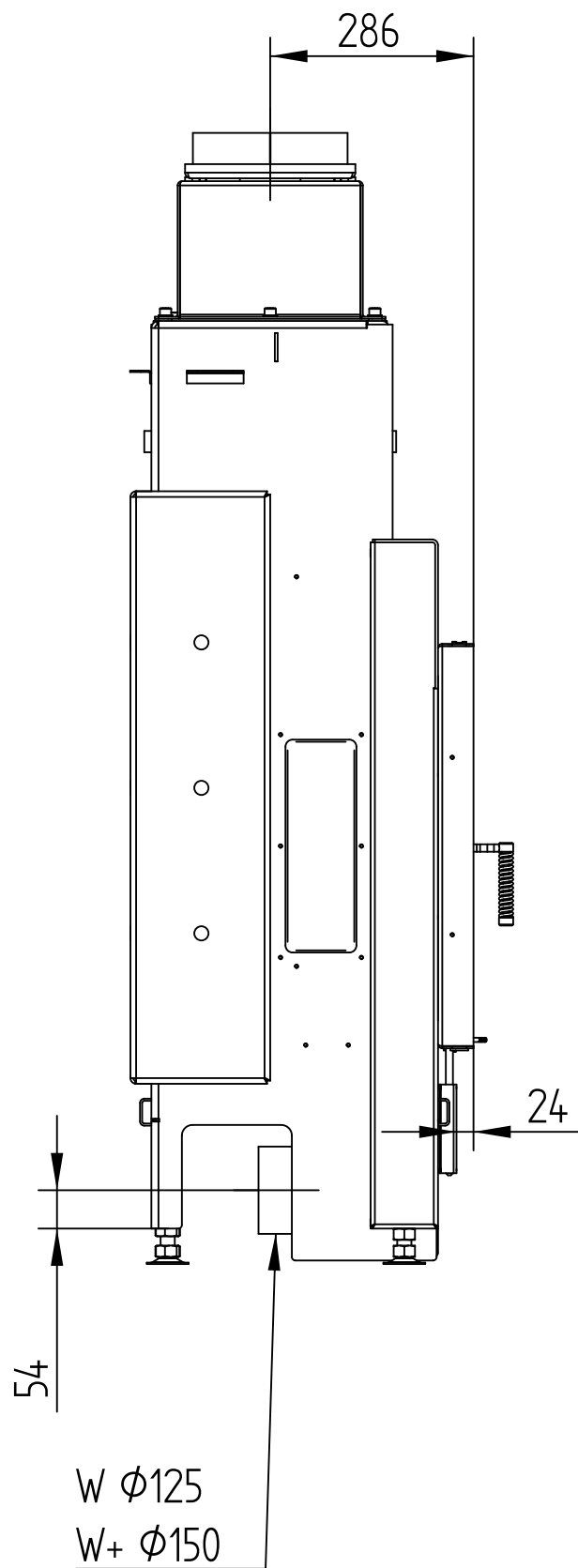
M 1 : 10



HAKA 78/57W, 78/57W+

Technical data
Version 01/2018

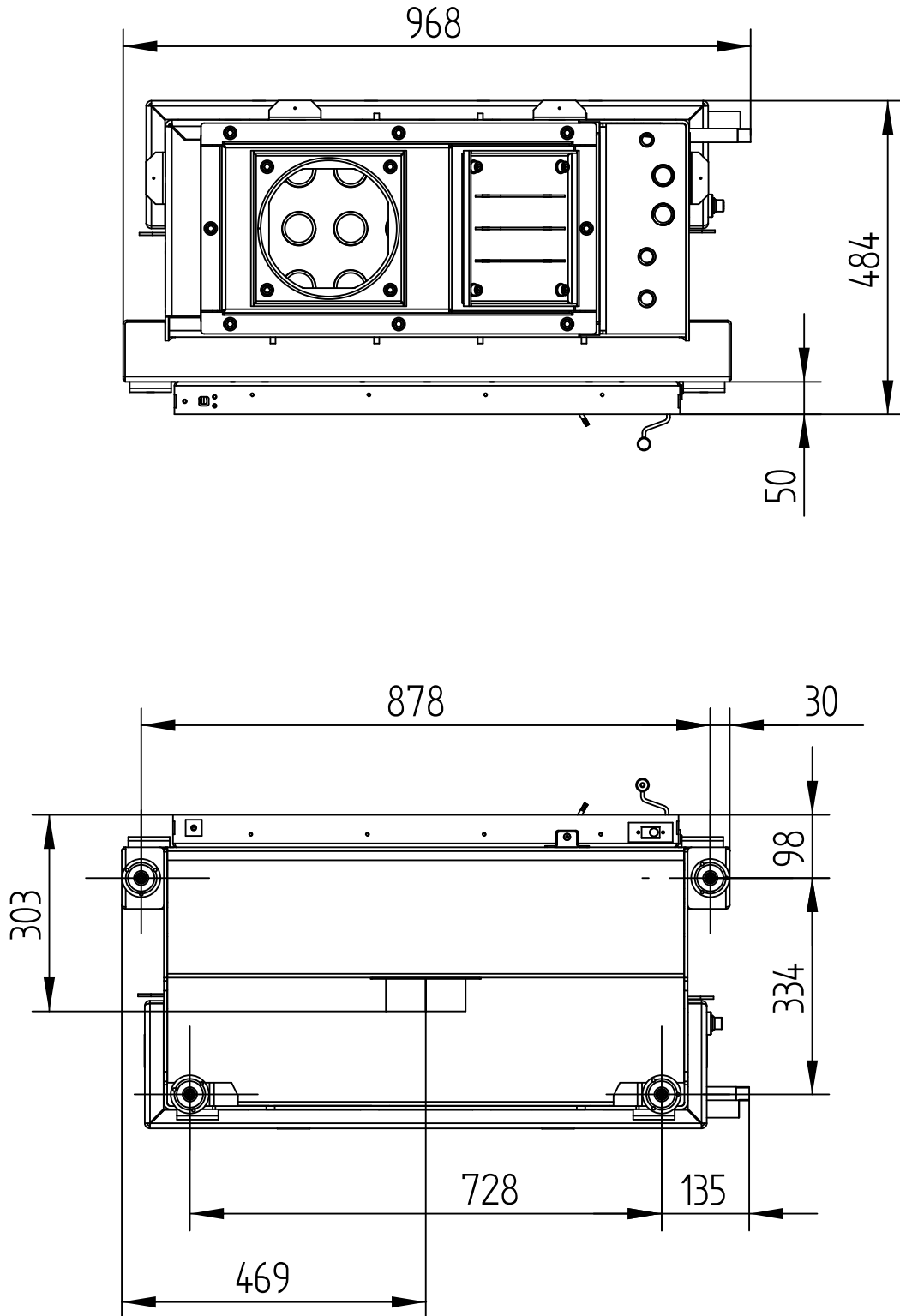
M 1 : 10



HAKA 78/57W, 78/57W+

Technical data
Version 01/2018

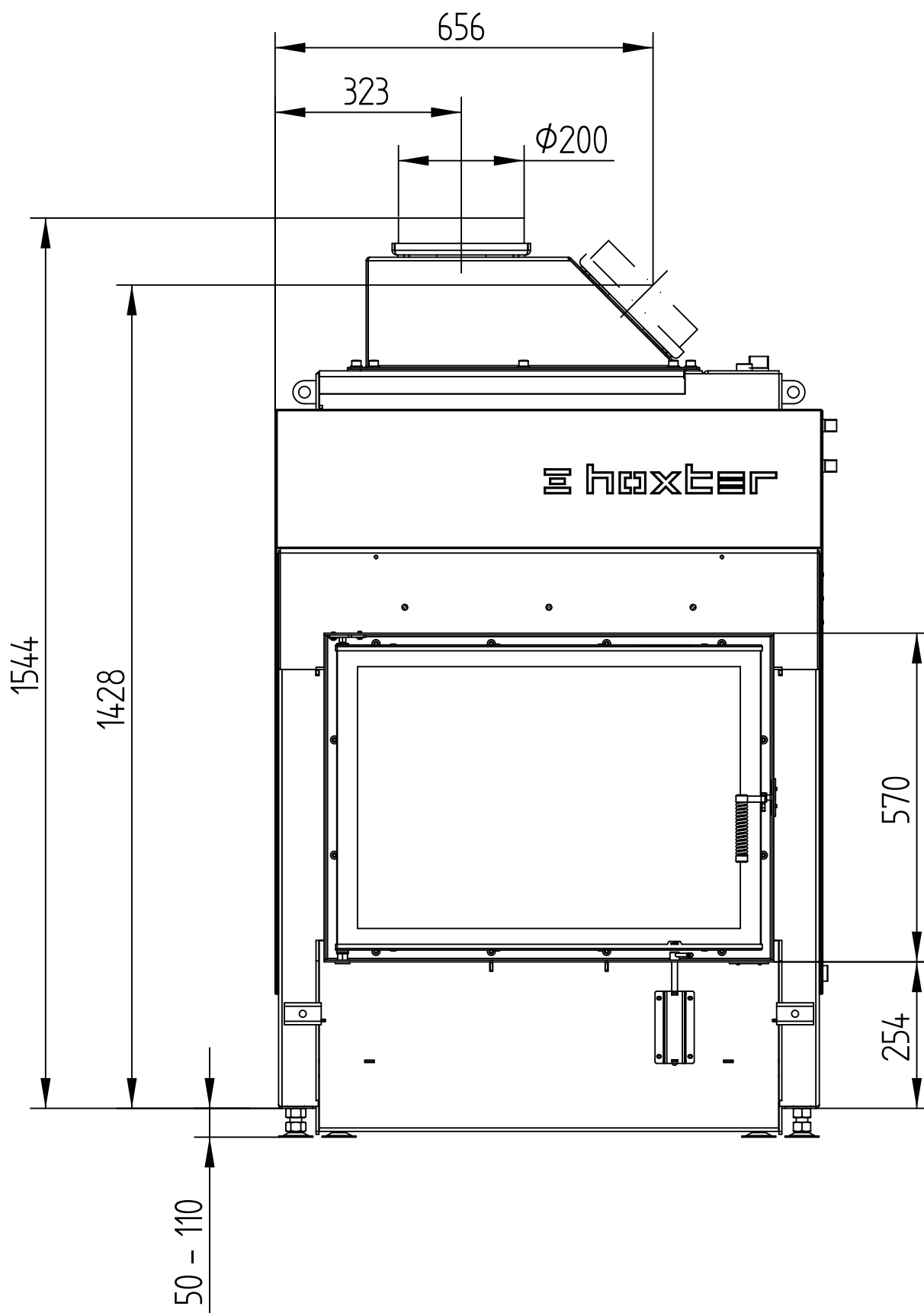
M 1 : 10



HAKA 78/57WI, 78/57WI+

Technical data
Version 01/2018

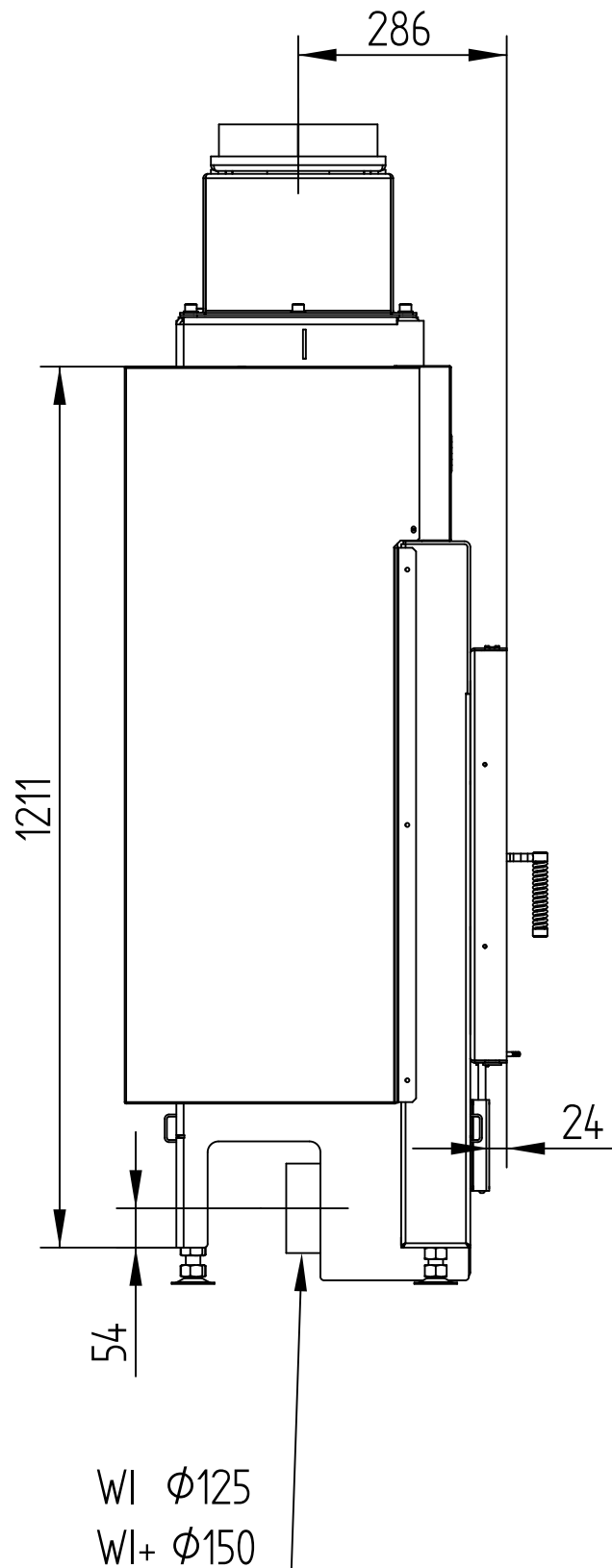
M 1 : 10



HAKA 78/57WI, 78/57WI+

Technical data
Version 01/2018

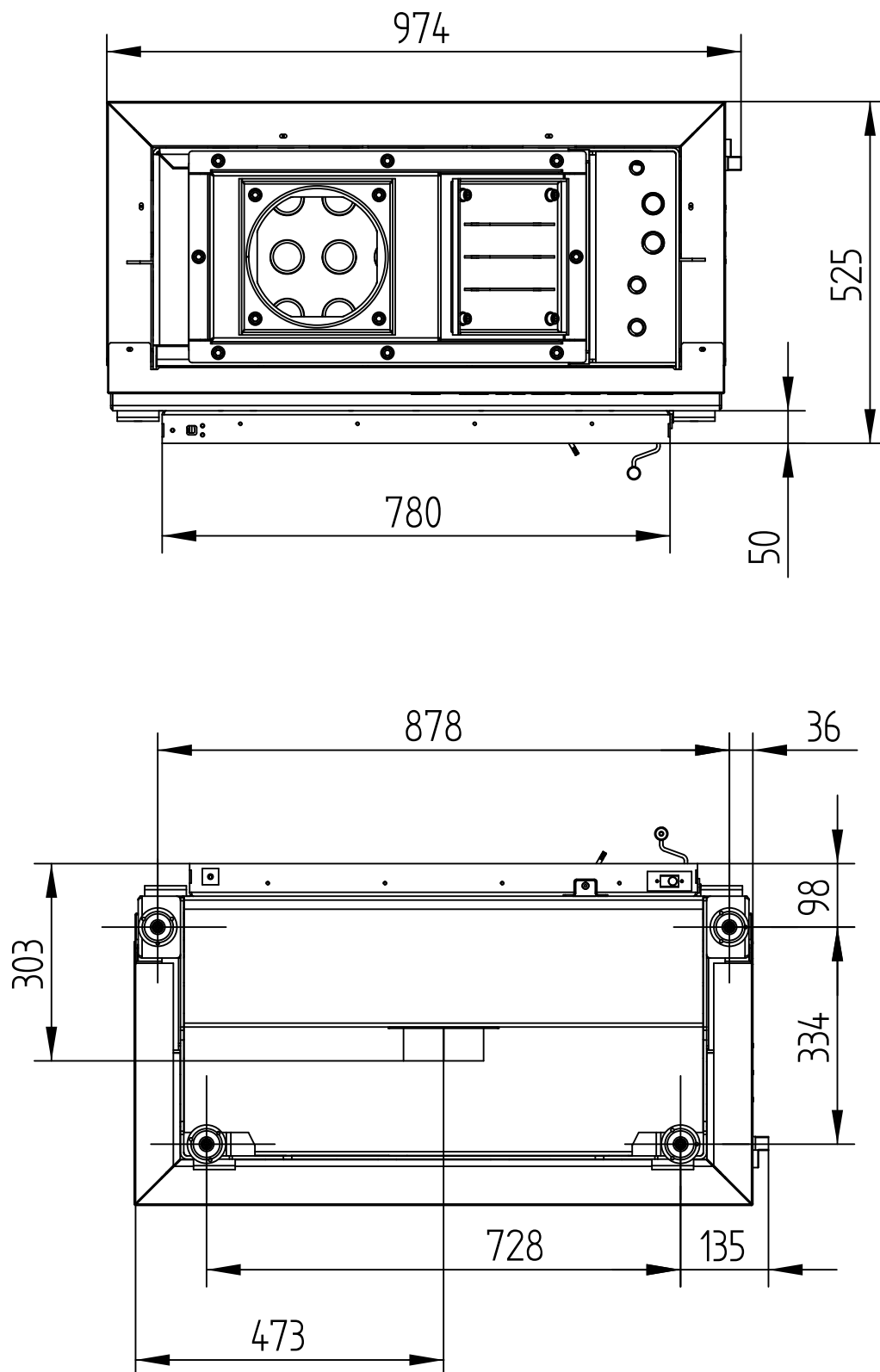
M 1 : 10



HAKA 78/57WI, 78/57WI+

Technical data
Version 01/2018

M 1 : 10

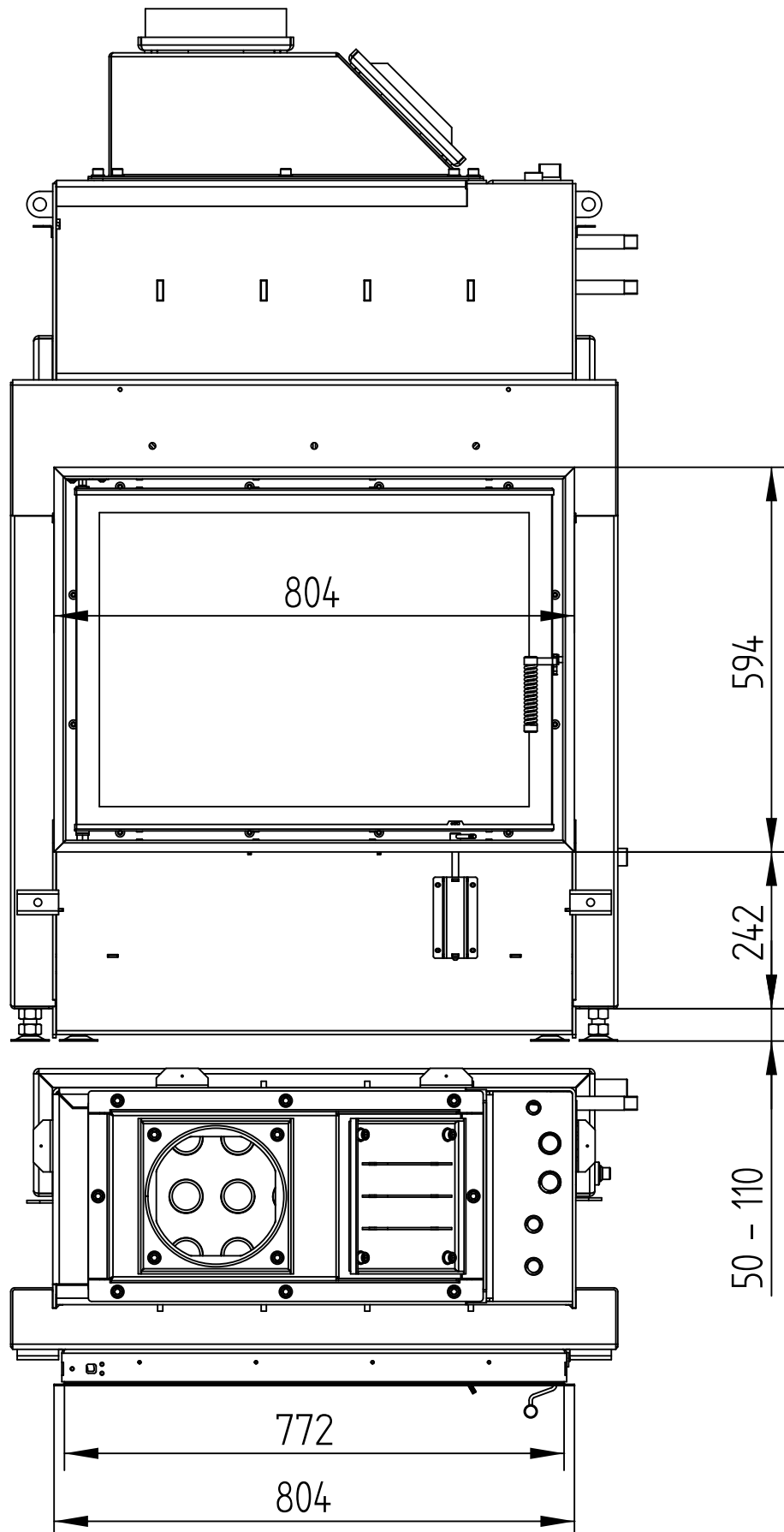


HAKA 78/57W

Technical data
Version 01/2018

COVER FRAME 4-SIDED 1 x 90°, 50 mm

M 1 : 10

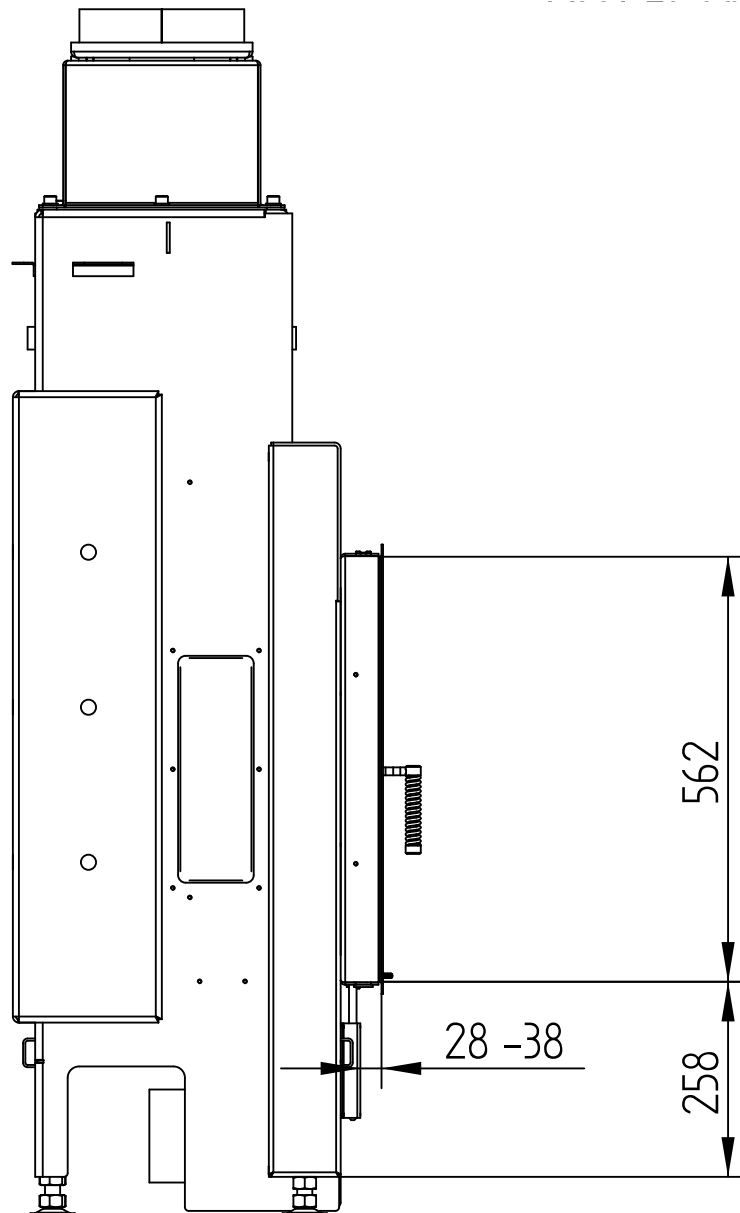


HAKA 78/57W

Technical data
Version 01/2018

COVER FRAME 4-SIDED 1 x 90°, 50 mm

M 1 : 10

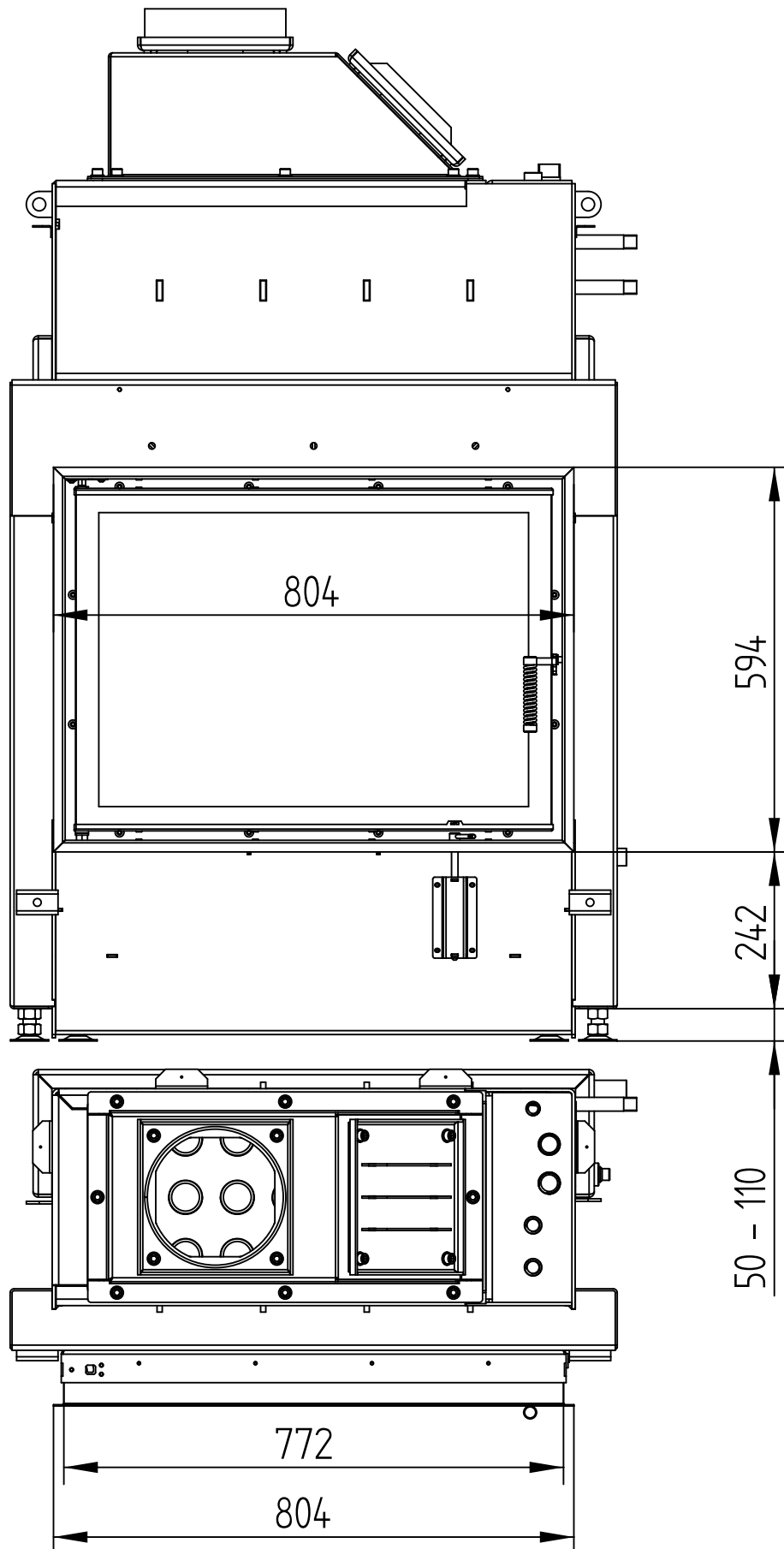


HAKA 78/57W

Technical data
Version 01/2018

COVER FRAME 4-SIDED 1 x 90°, 80 mm

M 1 : 10

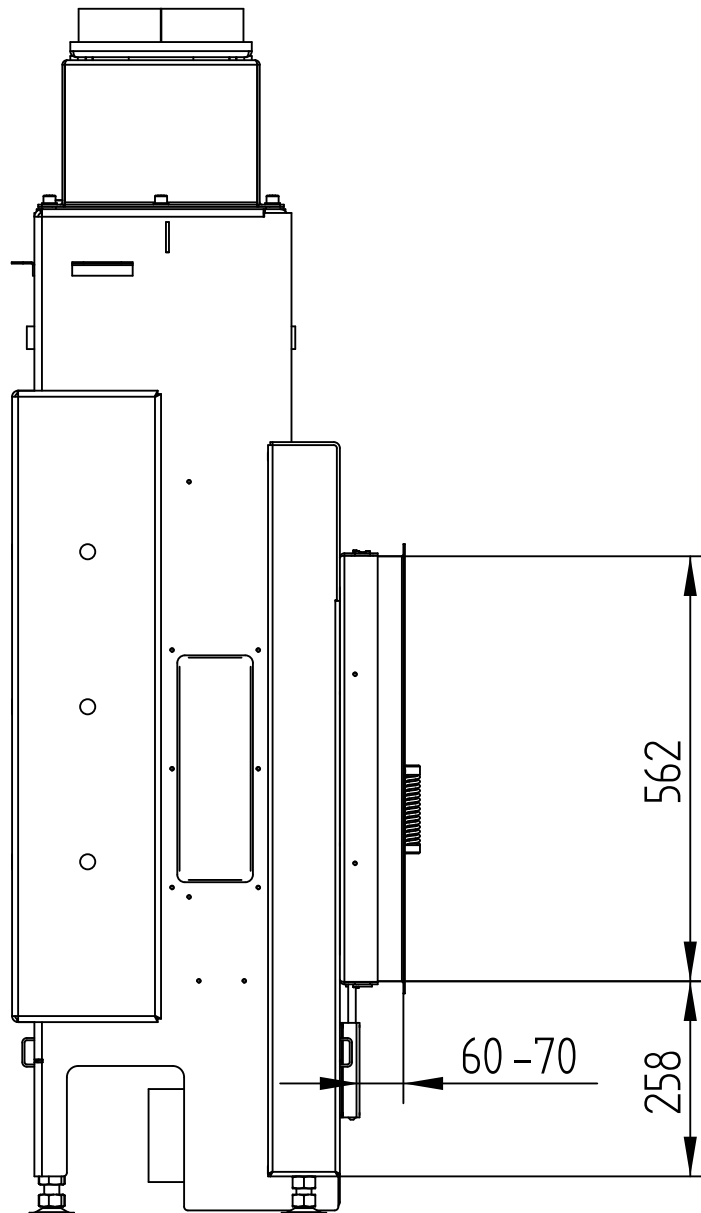


HAKA 78/57W

Technical data
Version 01/2018

COVER FRAME 4-SIDED 1 x 90°, 80 mm

M 1 : 10



HAKA 78/57W

Technical data
Version 01/2018

BUILD-ON FRAME 4-SIDED, 80 mm

M 1 : 10

