

Standard configuration is with 4mm frame

# ULTIME D Patented

## metalfire

### Technical Document

ULTIME D MF 1050-50 WHE 3S V20

#### Dimensions (mm)

- combustion opening WxHxD: 1118x441x504
- external WxDxH: 1118x600x1443
- fresh air: 2x $\phi$ 150
- diameter flue:  $\phi$ 250

#### Technical Data

- Ecolabel: A+
- capacity: 19kW
- efficiency capacity: 84%
- CO (volume with 13%O<sub>2</sub>): 0.072%
- dust (volume with 13%O<sub>2</sub>): 29.5mg/Nm<sup>3</sup>
- weight: 320kg

- Air intake to convection: minimum 720cm<sup>2</sup>(4x $\phi$ 150)
- Air exhaust to convection: minimum 720cm<sup>2</sup>(4x $\phi$ 150)

#### Specifications

- inside finishing: heat-resistant black paint
- vermiculite insulation plates
- convection jacket in galvanized steel
- back and sides: ribbed cast iron
- interior finishing: ORIGINAL (ribbed cast iron)

#### Options

- Finishing frame

Table: prescribed insulation thickness (mm)

Combustable finishing material				
	A	B	C	D
Test report (TC = 0,14 W/mK)	25	25	25	25
Non-combustable finishing material				
non-combustable materials (structural building items EXCLUDED e.g. load bearing walls)	0	0	0	0
TC = thermal conductivity NC = non-combustable				

#### First aid and technical support:

- support@metalfire.eu
- +32 (0)9 261 50 57

scale 1:20

Rev.  
-.1

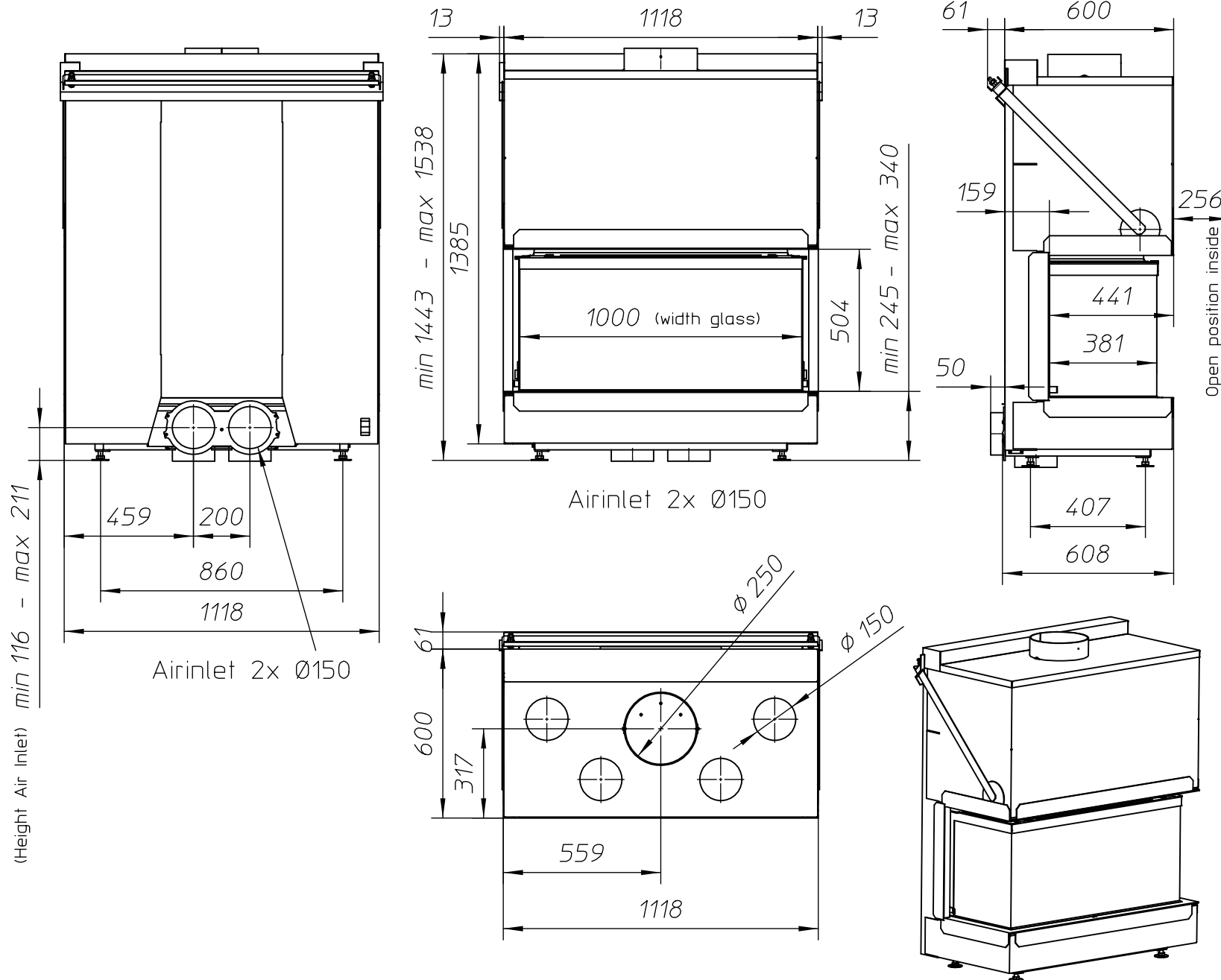
www.metalfire.eu

EN 13229

CE

General dimensional tolerances up to 6mm  
Metalfire preserves the right to modify specifications without previous notice

Sheet  
1/3



# ULTIME D Patented

## metalfire

### Technical Document

ULTIME D MF 1050-50 WHE 3S V20

**Dimensions (mm)**

- combustion opening WxHxD: 1118x441x504
- external WxDxH: 1118x600x1443
- fresh air: 2xø150
- diameter flue: ø250

**Technical Data**

- Ecolabel: A+
- capacity: 19kW
- efficiency capacity: 84%
- CO (volume with 13%O<sub>2</sub>): 0.072%
- dust (volume with 13%O<sub>2</sub>): 29,5mg/Nm<sup>3</sup>
- weight: 320kg
- Air intake to convection: minimum 720cm<sup>2</sup> (4xø150)
- Air exhaust to convection: minimum 720cm<sup>2</sup> (4xø150)

**Specifications**

- inside finishing: heat-resistant black paint
- vermiculite insulation plates
- convection jacket in galvanized steel
- back and sides: ribbed cast iron
- interior finishing: ORIGINAL (ribbed cast iron)

**Options**

- Finishing frame

Table: prescribed insulation thickness (mm)

Combustible finishing material				
	A	B	C	D
Test report (TC = 0,14 W/mK)	25	25	25	25
Non-combustible finishing material				
non-combustible materials (structural building items EXCLUDED e.g. load bearing walls)	0	0	0	0

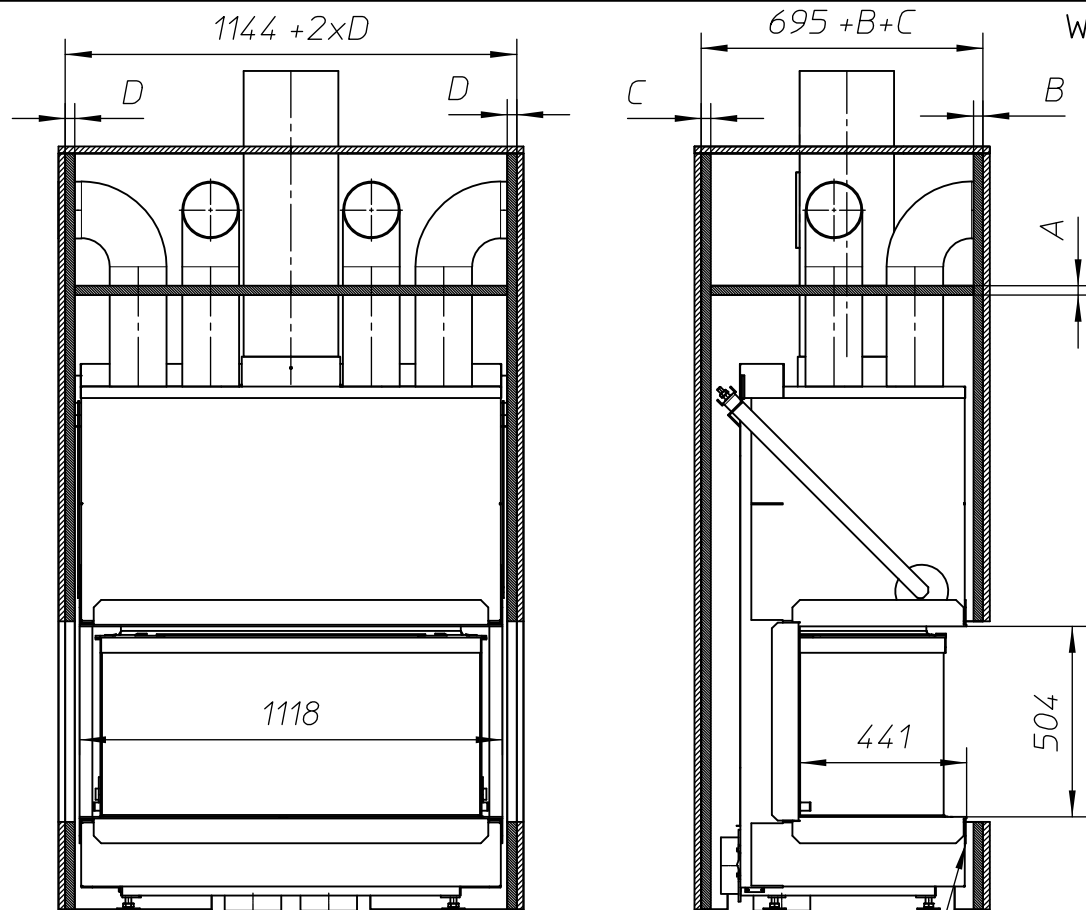
TC = thermal conductivity NC = non-combustible

**First aid and technical support:**

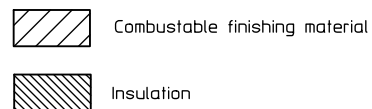
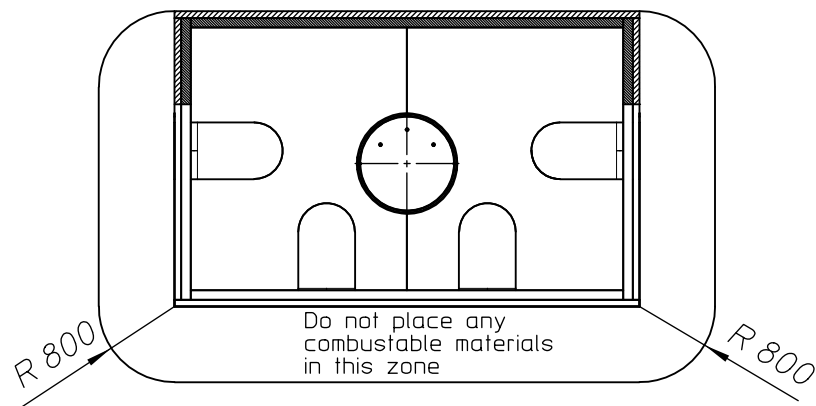
- support@metalfire.eu
- +32 (0)9 261 50 57

scale 1:20	Rev. -1
www.metalfire.eu EN 13229	CE
General dimensional tolerances up to 6mm Metalfire preserves the right to modify specifications without previous notice	Sheet 2/3

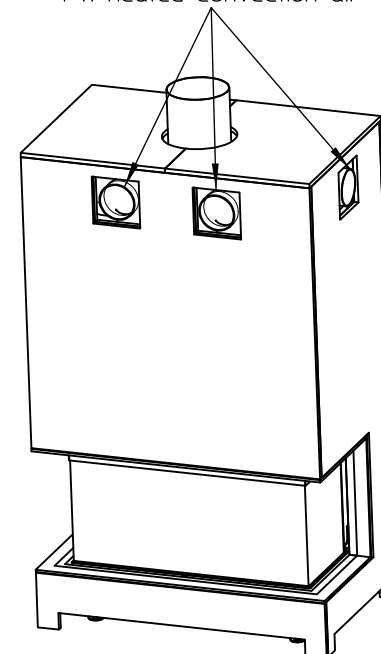
WITHOUT FINISHING FRAME



Min. 13mm between fireplace and insulation



4 x heated convection air



WITH FINISHING FRAME 90/10

# ULTIME D Patented

## metalfire

### Technical Document

ULTIME D MF 1050-50 WHE 3S V20

**Dimensions (mm)**

- combustion opening WxHxD: 1118x441x504
- external WxDxH: 1118x600x1443
- fresh air: 2x $\phi$ 150
- diameter flue:  $\phi$ 250

**Technical Data**

- Ecolabel: A+
- capacity: 19kW
- efficiency capacity: 84%
- CO (volume with 13%O<sub>2</sub>): 0.072%
- dust (volume with 13%O<sub>2</sub>): 29,5mg/Nm<sup>3</sup>
- weight: 320kg
- Air intake to convection: minimum 720cm<sup>2</sup>(4x $\phi$ 150)
- Air exhaust to convection: minimum 720cm<sup>2</sup>(4x $\phi$ 150)

**Specifications**

- inside finishing: heat-resistant black paint
- vermiculite insulation plates
- convection jacket in galvanized steel
- back and sides: ribbed cast iron
- interior finishing: ORIGINAL (ribbed cast iron)

**Options**

- Finishing frame

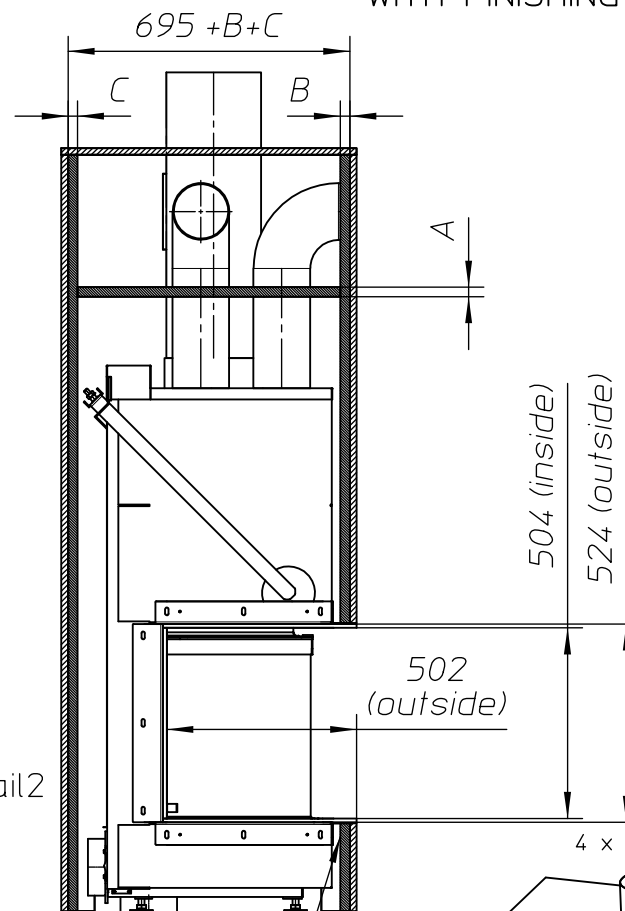
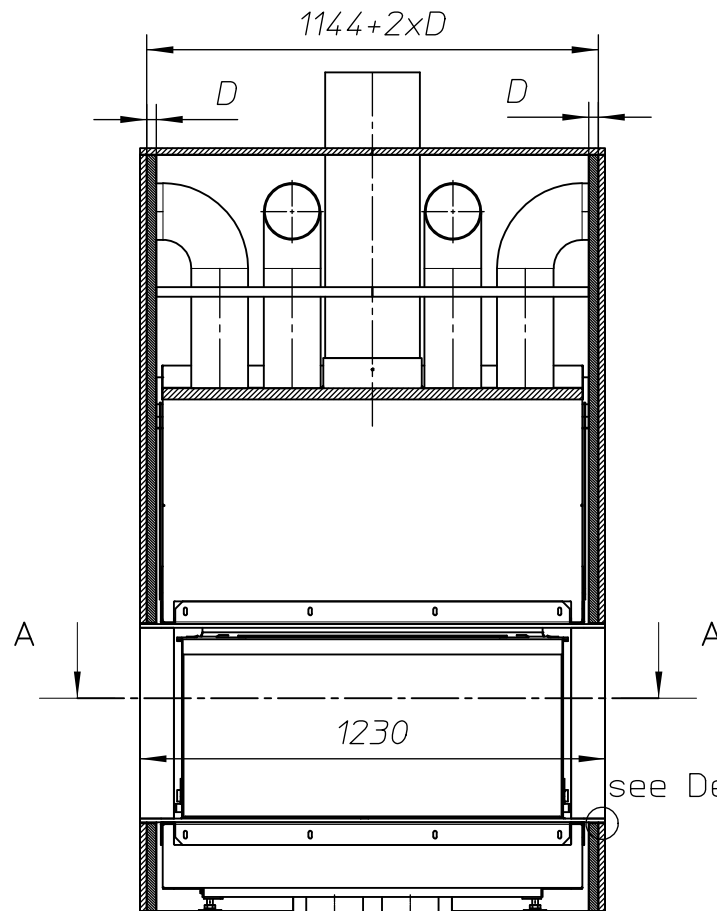
Table: prescribed insulation thickness (mm)

Combustible finishing material				
	A	B	C	D
Test report (TC = 0,14 W/mk)	25	25	25	25
Non-combustible finishing material				
non-combustible materials (structural building items EXCLUDED e.g. load bearing walls)	0	0	0	0
TC = thermal conductivity NC = non-combustible				

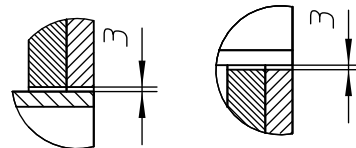
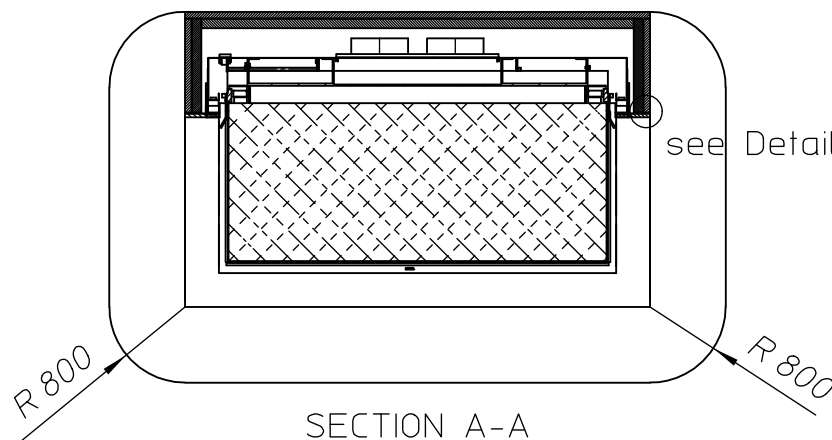
**First aid and technical support:**

- support@metalfire.eu
- +32 (0)9 261 50 57

scale 1:20	Rev. -1
www.metalfire.eu	EN 13229
General dimensional tolerances up to 6mm Metalfire preserves the right to modify specifications without previous notice	Sheet 3/3



Min. 13mm between fireplace and insulation



Detail1 Scale 1:5  
Detail2 Scale 1:5

- Combustible finishing material
- Insulation

