

# HAKA 67/51Wh, 67/51Wih

Technical data  
Version 04/2017

OPERATION WHEN DIRECTLY CONNECTED TO CHIMNEY	HAKA 67/51 Wh	HAKA 67/51 Wih
Tested according to	EN 13229	EN 13229
Nominal heat power / Power absorbed to water	11 / 7,2 kW	11 / 8,1 kW
Efficiency	> 80 %	> 80 %
Consumption of wood	3 kg/h	3 kg/h
Mass flow of flue gas	8 g/s	8 g/s
<b>Average flue gas temperature</b> on the output	202 °C	202 °C
<b>Heat distribution</b>		
fireplace insert	18 %	10 %
door glass (single / double)	- / 17 %	- / 17 %
water	65 %	73 %
Required chimney pressure	12 Pa	12 Pa
Required amount of combustion air	30 m <sup>3</sup> /h	30 m <sup>3</sup> /h
Minimum supply air grating cross-section	300 cm <sup>2</sup>	250 cm <sup>2</sup>
Minimum outgoing air grating cross-section	350 cm <sup>2</sup>	300 cm <sup>2</sup>

WATER EXCHANGER SPECIFICATIONS		
Maximum working pressure	2,5 bar	2,5 bar
Minimum return water temperature	55 °C	55 °C
Water capacity	59 liter	59 liter
Connection input / output	G 1 / G 1	G 1 / G 1

GENERAL TECHNICAL INFORMATION		
Combustion air connection	Ø 125 mm	
Total weight / lining weight	ca. 375 / 78 kg	ca. 383 / 78 kg
Use in non-ventilated accumulation builds according to craft rules	suitable	
Meets values	BlmSchV (Stufe2), 15a BVG	

# HAKA 67/51Wh+, 67/51Wih+

Technical data  
Version 04/2017

OPERATION WHEN DIRECTLY CONNECTED TO CHIMNEY	HAKA 67/51 Wh+	HAKA 67/51 Wih+
Tested according to	EN 13229	EN 13229
Nominal heat power / Power absorbed to water	17,6 / 10,5 kW	17,6 / 11,9 kW
Efficiency	> 80 %	> 80 %
Consumption of wood	4,7 kg/h	4,7 kg/h
Mass flow of flue gas	12 g/s	12 g/s
<b>Average flue gas temperature</b> on the output	216 °C	216 °C
<b>Heat distribution</b>		
fireplace insert	23 %	16 %
door glass (single / double)	- / 17 %	- / 17 %
water	60 %	67 %
Required chimney pressure	12 Pa	12 Pa
Required amount of combustion air	50 m <sup>3</sup> /h	50 m <sup>3</sup> /h
Minimum supply air grating cross-section	500 cm <sup>2</sup>	450 cm <sup>2</sup>
Minimum outgoing air grating cross-section	600 cm <sup>2</sup>	550 cm <sup>2</sup>

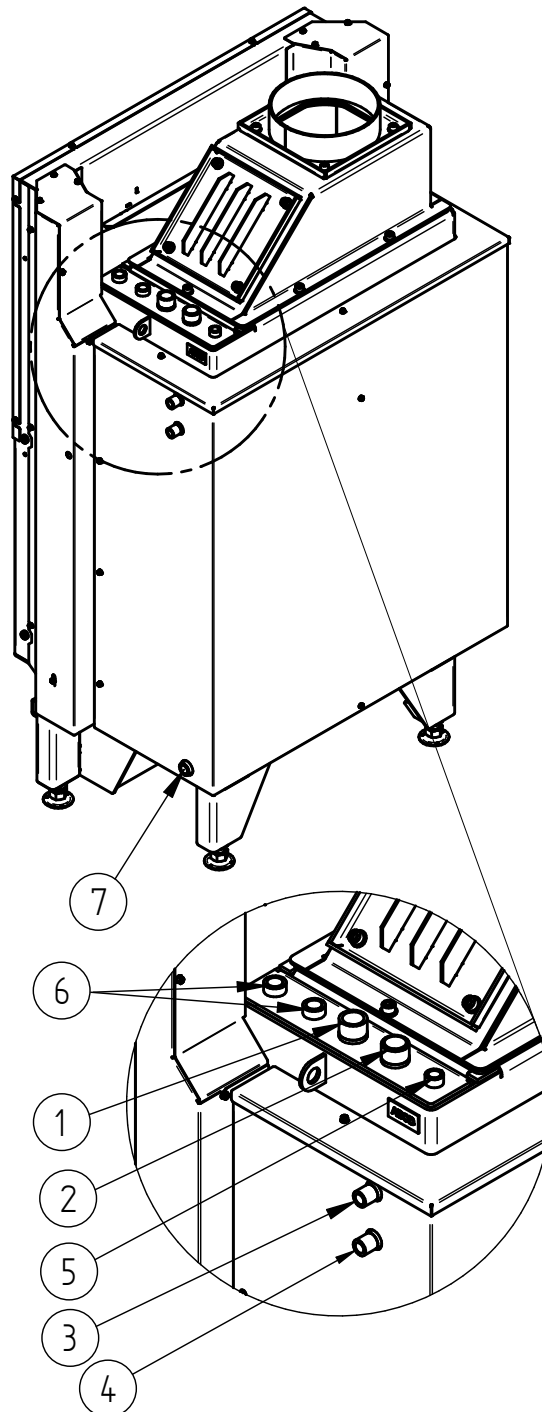
WATER EXCHANGER SPECIFICATIONS		
Maximum working pressure	2,5 bar	2,5 bar
Minimum return water temperature	55 °C	55 °C
Water capacity	59 liter	59 liter
Connection input / output	G 1 / G 1	G 1 / G 1

GENERAL TECHNICAL INFORMATION		
Combustion air connection	Ø 150 mm	
Total weight / lining weight	ca. 375 / 78 kg	ca. 383 / 78 kg
Use in non-ventilated accumulation builds according to craft rules	suitable	
Meets values	BlmSchV (Stufe2), 15a BVG	

# HAKA 67/51Wh, Wlh, Wh+, Wlh+

Technical data  
Version 04/2017

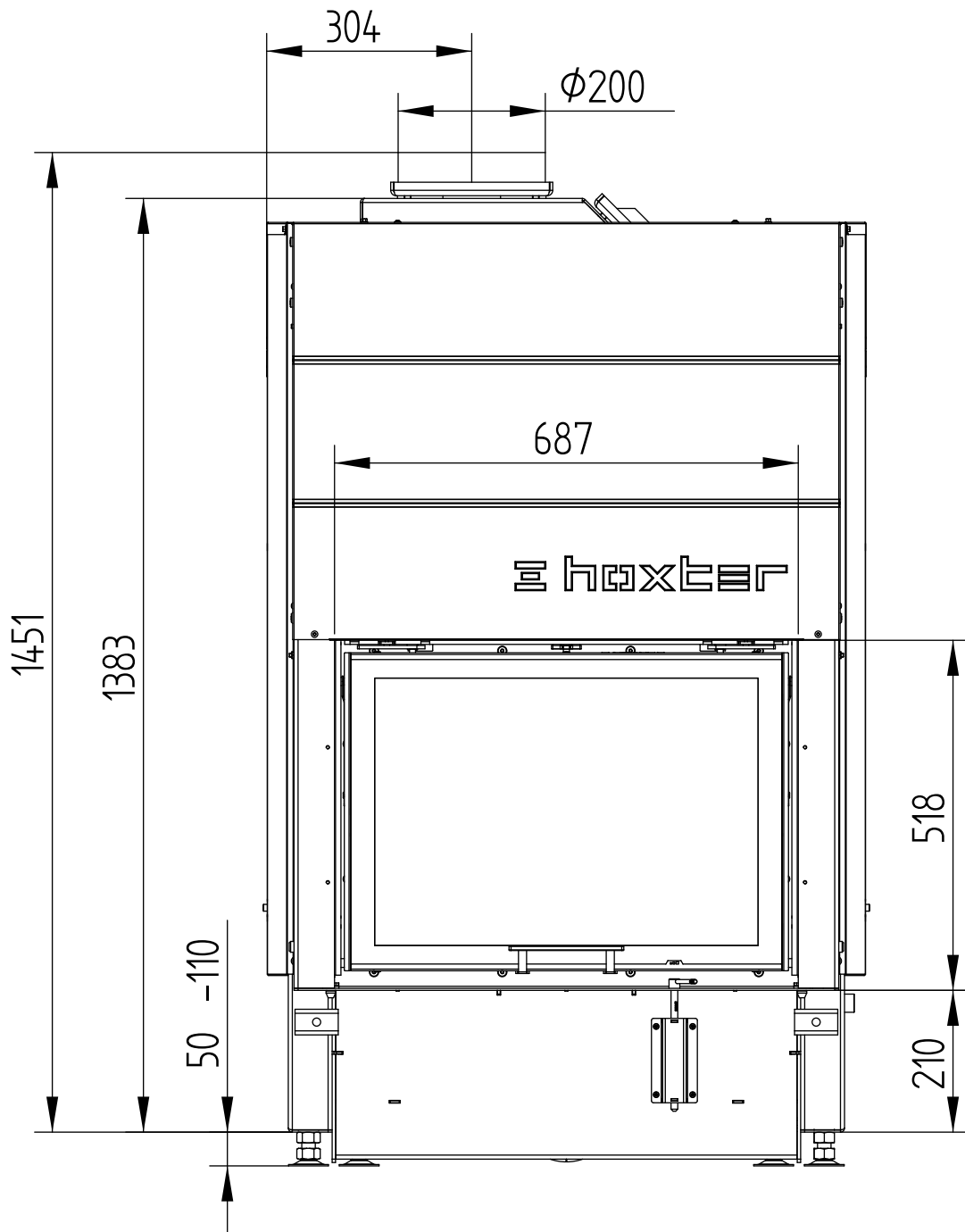
NR.	THREAD SIZE	DESCRIPTION
1	G 1" (AG)	Water supply from heating system - min. 55°C
2	G 1" (AG)	Hot water supply to heating system
3	G 1/2" (AG)	Water supply from the waterlines into the cooling loop
4	G 1/2" (AG)	Discharge of water from the cooling loop into the waste
5	G 3/8" (IG)	Pocket for air vent valve
6	G 1/2" (IG)	Pocket for thermal sensors
7	G 1/2" (IG)	Discharge valve



# HAKA 67/51Wh, 67/51Wh+

Technical data  
Version 04/2017

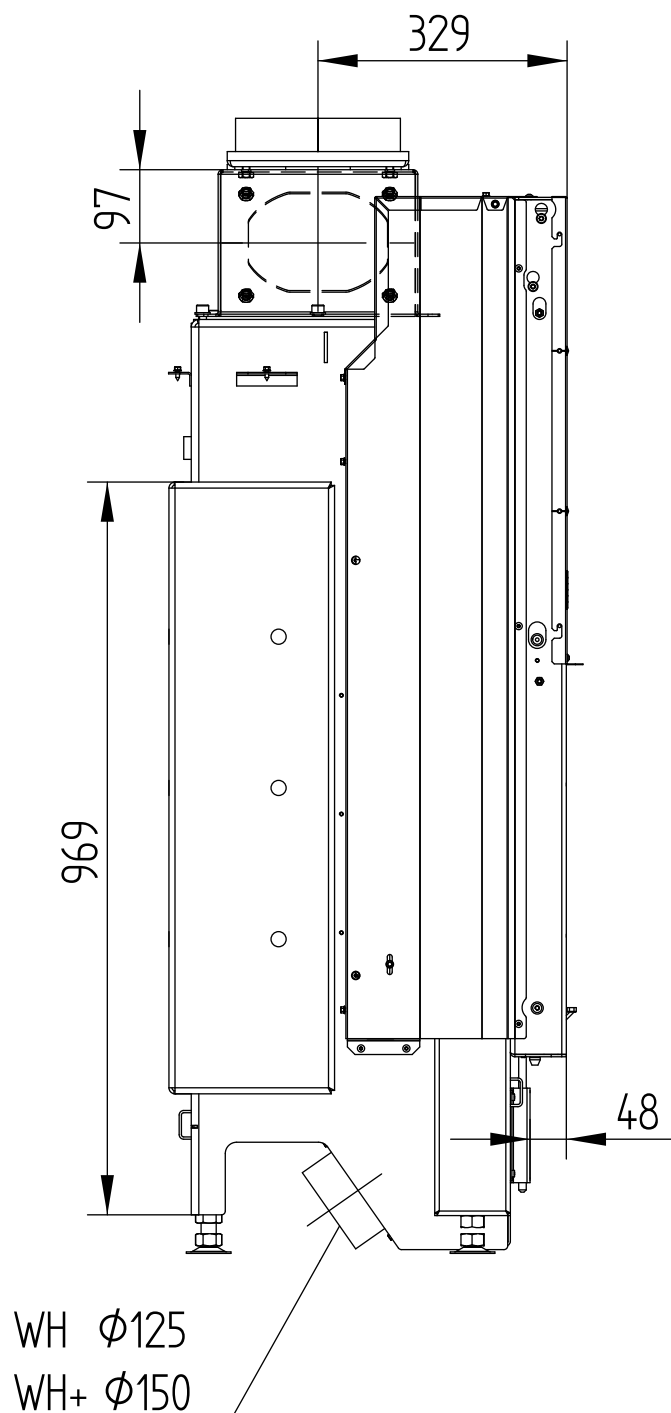
M 1 : 10



# HAKA 67/51Wh, 67/51Wh+

Technical data  
Version 04/2017

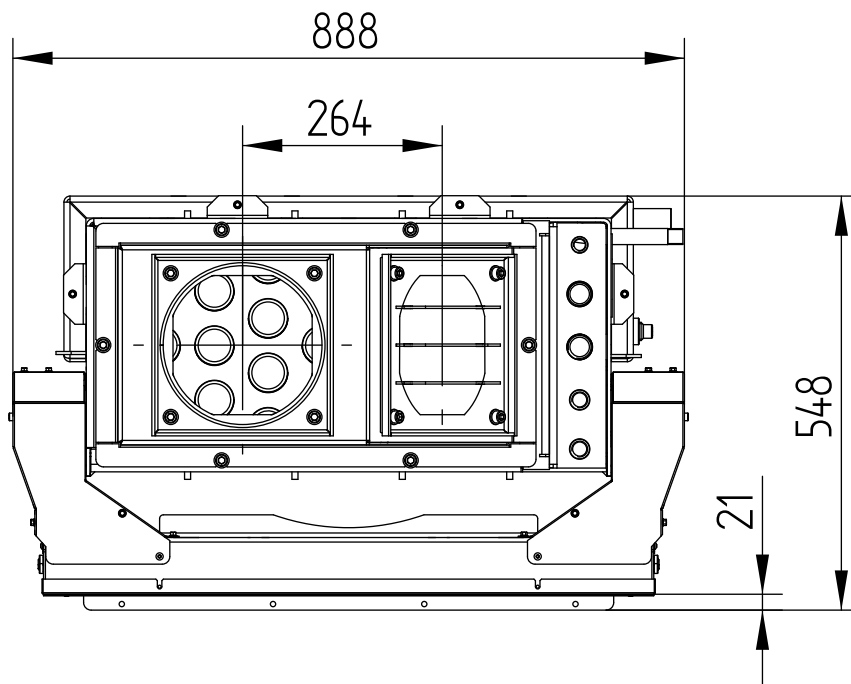
M 1 : 10



# HAKA 67/51Wh, 67/51Wh+

Technical data  
Version 04/2017

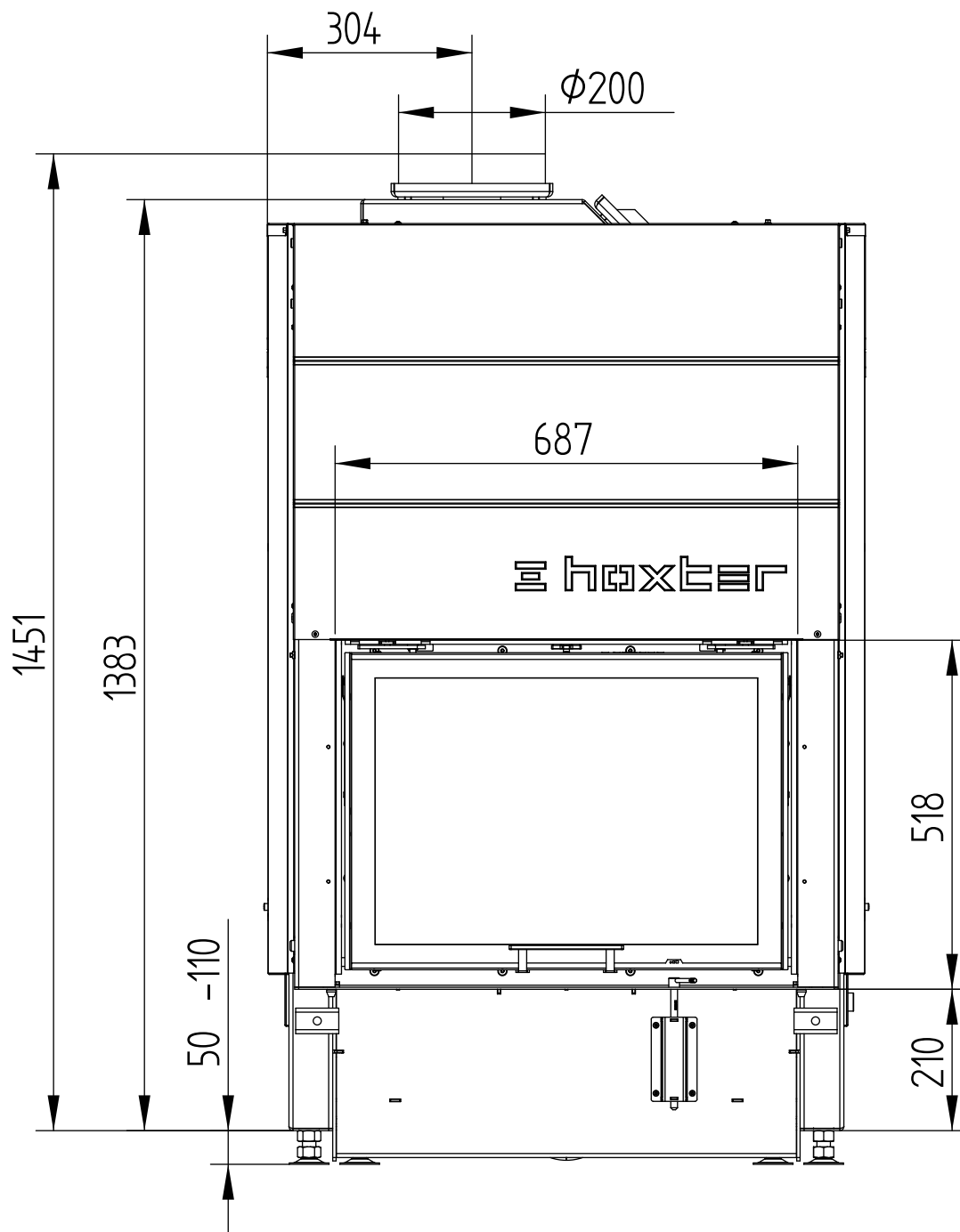
M 1 : 10



# HAKA 67/51WIh, 67/51WIh+

Technical data  
Version 04/2017

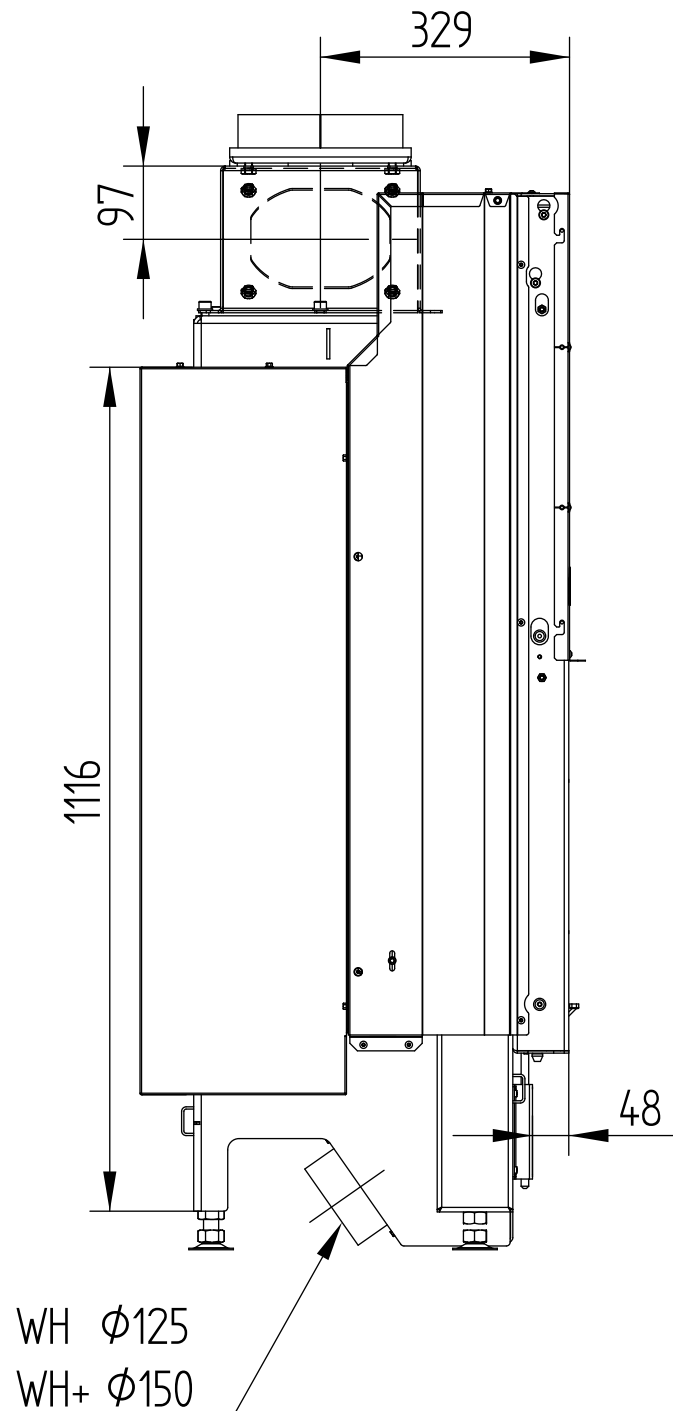
M 1 : 10



# HAKA 67/51Wh, 67/51Wh+

Technical data  
Version 04/2017

M 1 : 10

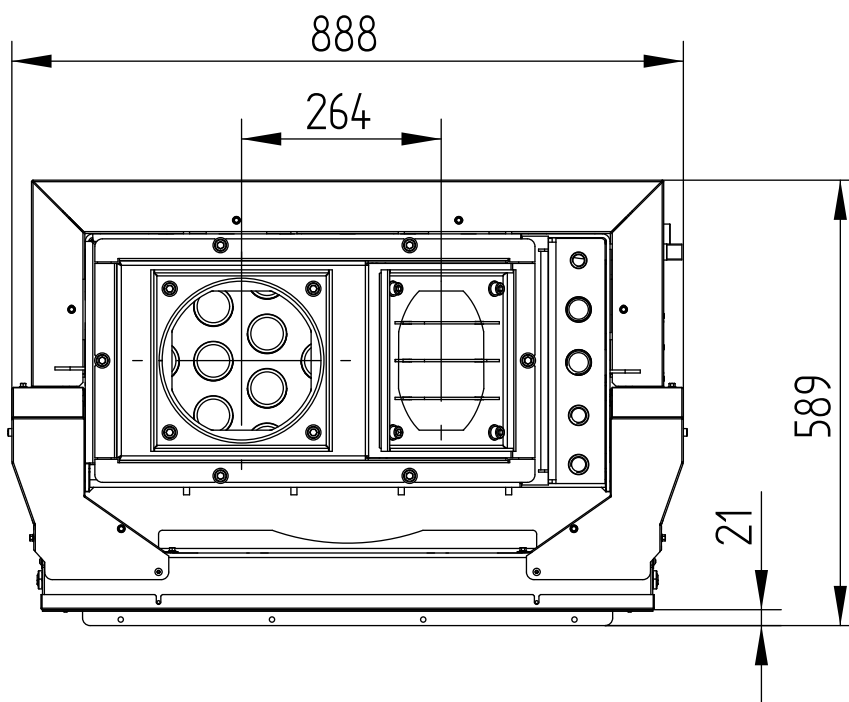




# HAKA 67/51WIh, 67/51WIh+

Technical data  
Version 04/2017

M 1 : 10

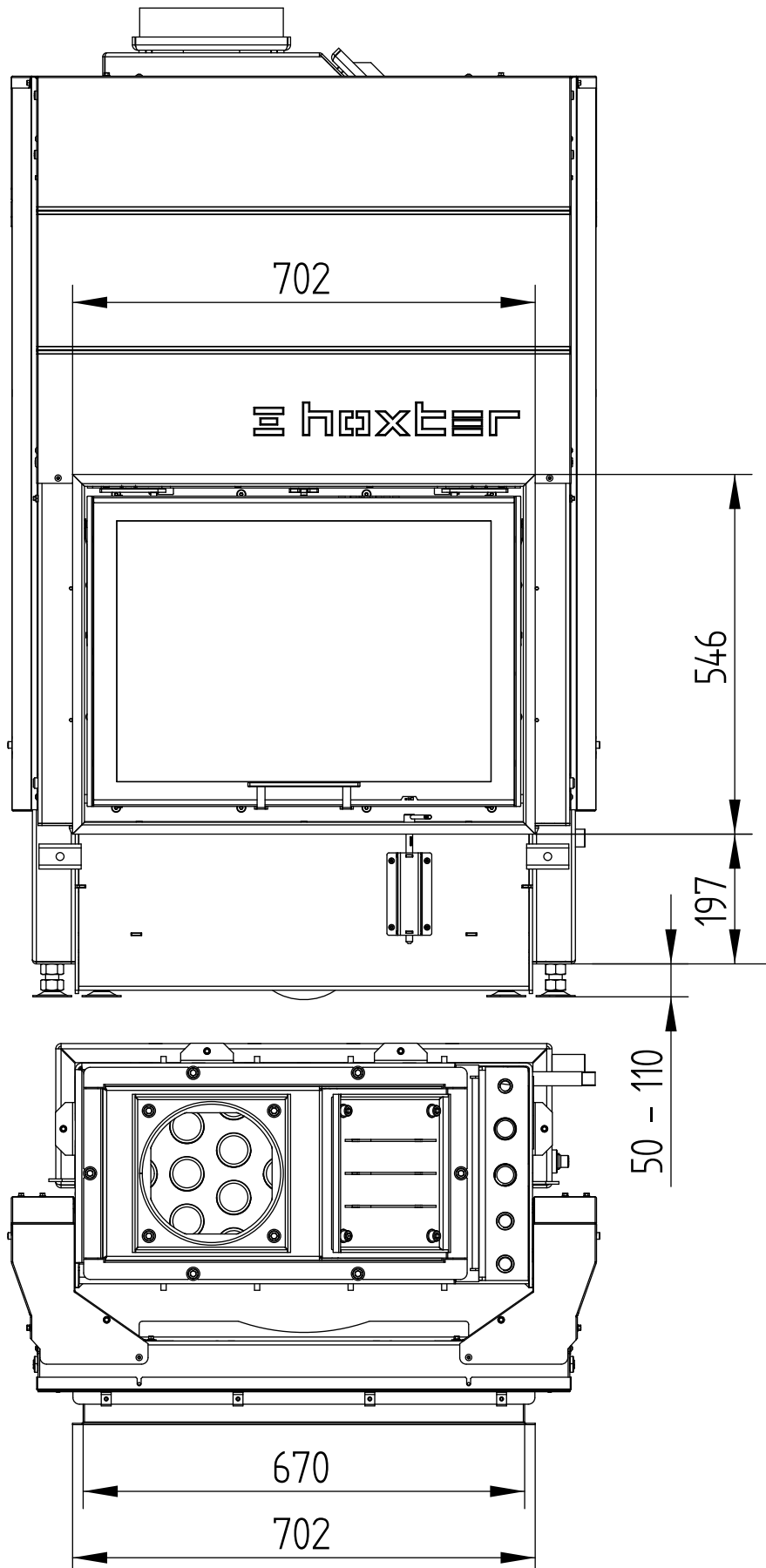


# HAKA 67/51Wh

Technical data  
Version 04/2017

COVER FRAME 4-SIDED 1 x 90°, 50 mm

M 1 : 10

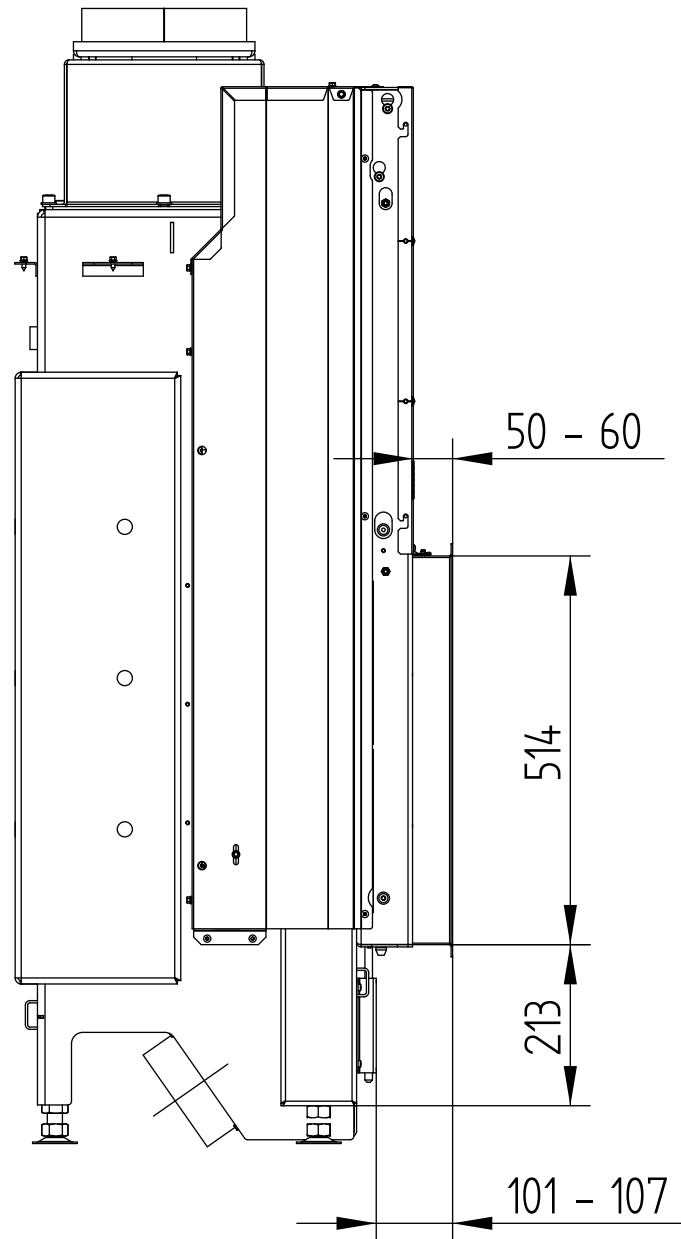


# HAKA 67/51Wh

COVER FRAME 4-SIDED 1 x 90°, 50 mm

Technical data  
Version 04/2017

M 1 : 10

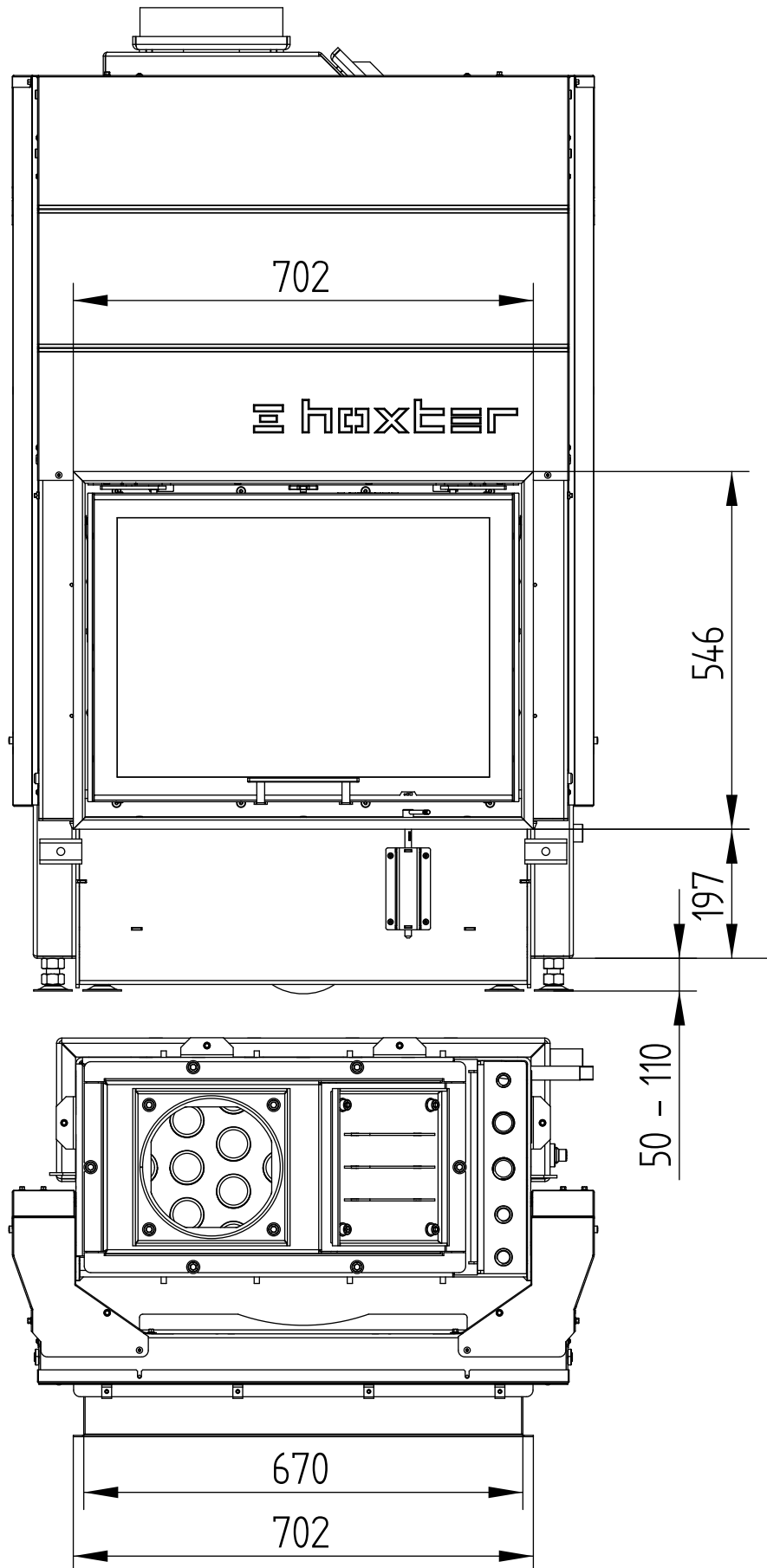


# HAKA 67/51Wh

Technical data  
Version 04/2017

COVER FRAME 4-SIDED 1 x 90°, 80 mm

M 1 : 10

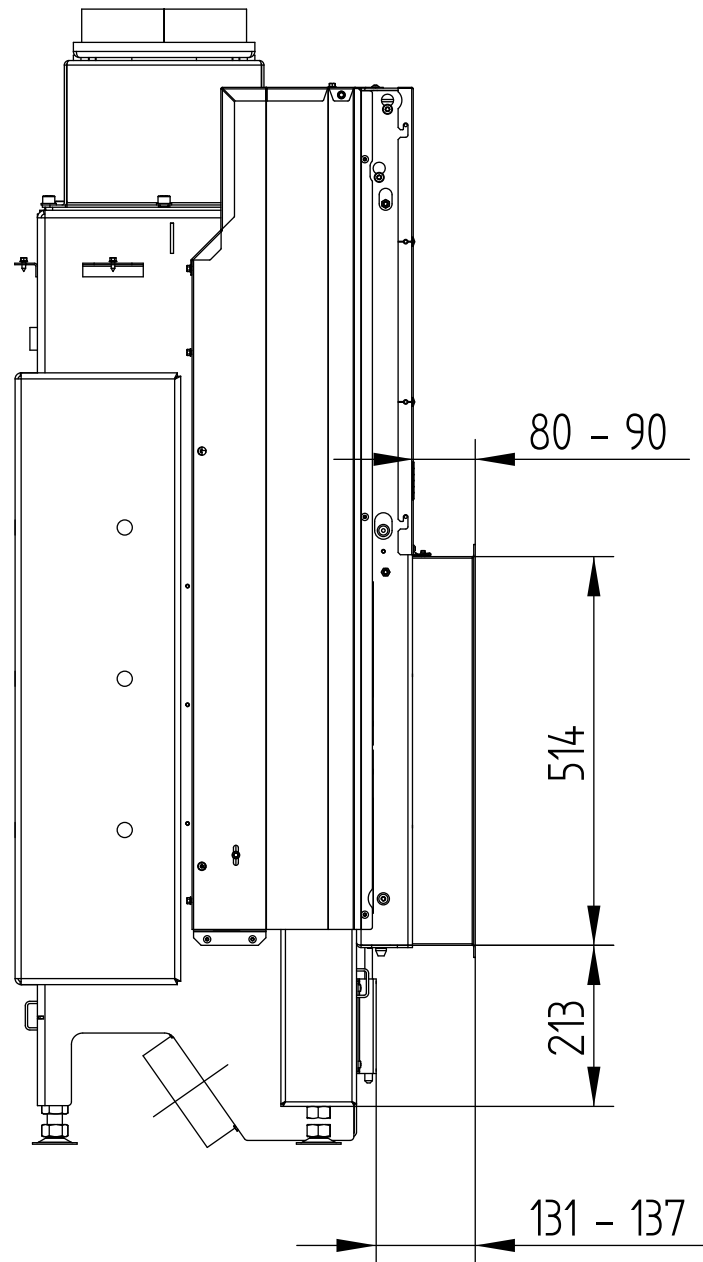


# HAKA 67/51Wh

COVER FRAME 4-SIDED 1 x 90°, 80 mm

Technical data  
Version 04/2017

M 1 : 10

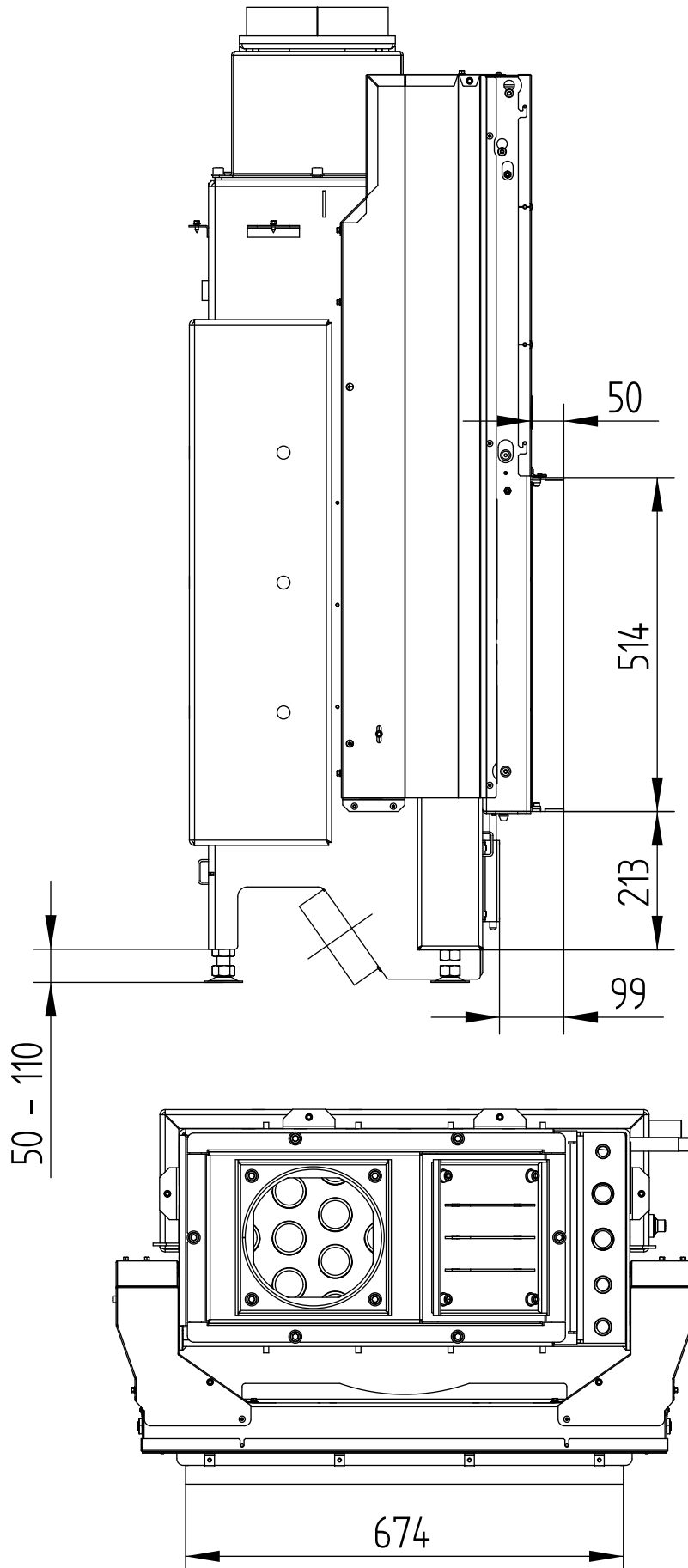


# HAKA 67/51Wh

Technical data  
Version 04/2017

BUILD-ON FRAME 4-SIDED, 50 mm

M 1 : 10



# HAKA 67/51Wh

BUILD-ON FRAME 4-SIDED, 80 mm

Technical data  
Version 04/2017

M 1 : 10

