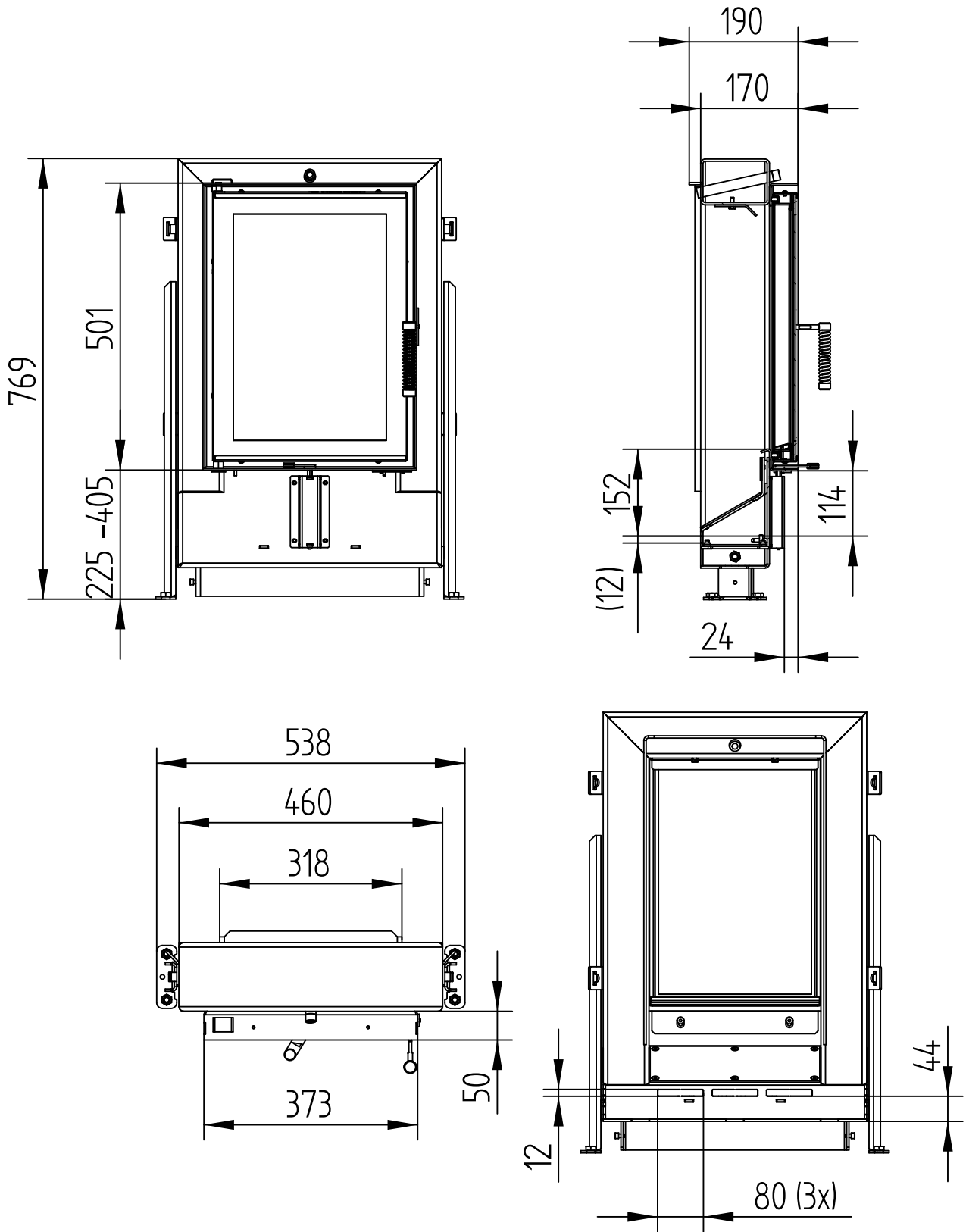


GENERAL TECHNICAL INFORMATION	
Recommended wood load	10 kg
Maximum cross-section of the supply air connection	180 cm ²
Optional combustion air adapter	1 × Ø 150 mm
Pressure drop	see table
Free glass area	1148 cm ²

LOAD OF WOOD	AIR FLOW		PRESSURE DROP
5 kg	47,0 m ³ /h	0,013 m ³ /s	2 Pa
6 kg	56,3 m ³ /h	0,016 m ³ /s	3 Pa
7 kg	65,7 m ³ /h	0,018 m ³ /s	4,1 Pa
8 kg	75,1 m ³ /h	0,021 m ³ /s	5,4 Pa
9 kg	84,5 m ³ /h	0,023 m ³ /s	7 Pa
10 kg	93,9 m ³ /h	0,026 m ³ /s	8,8 Pa
11 kg	103,3 m ³ /h	0,029 m ³ /s	10,7 Pa
12 kg	112,7 m ³ /h	0,031 m ³ /s	12,9 Pa

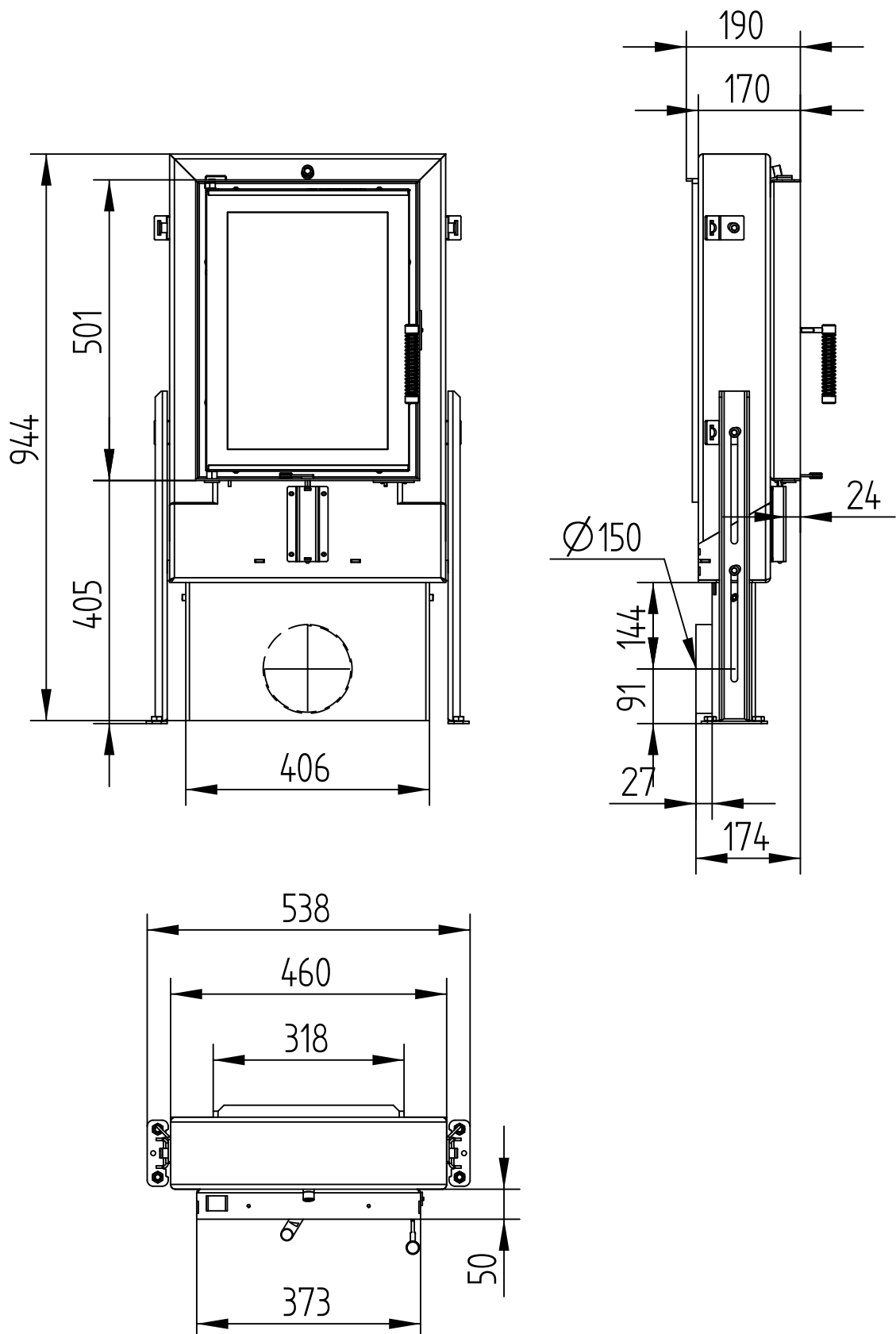


GT 37/50

Technical data
Version 07/2015

COMBUSTION AIR CONNECTION 1 x Ø 150 mm

M 1 : 10

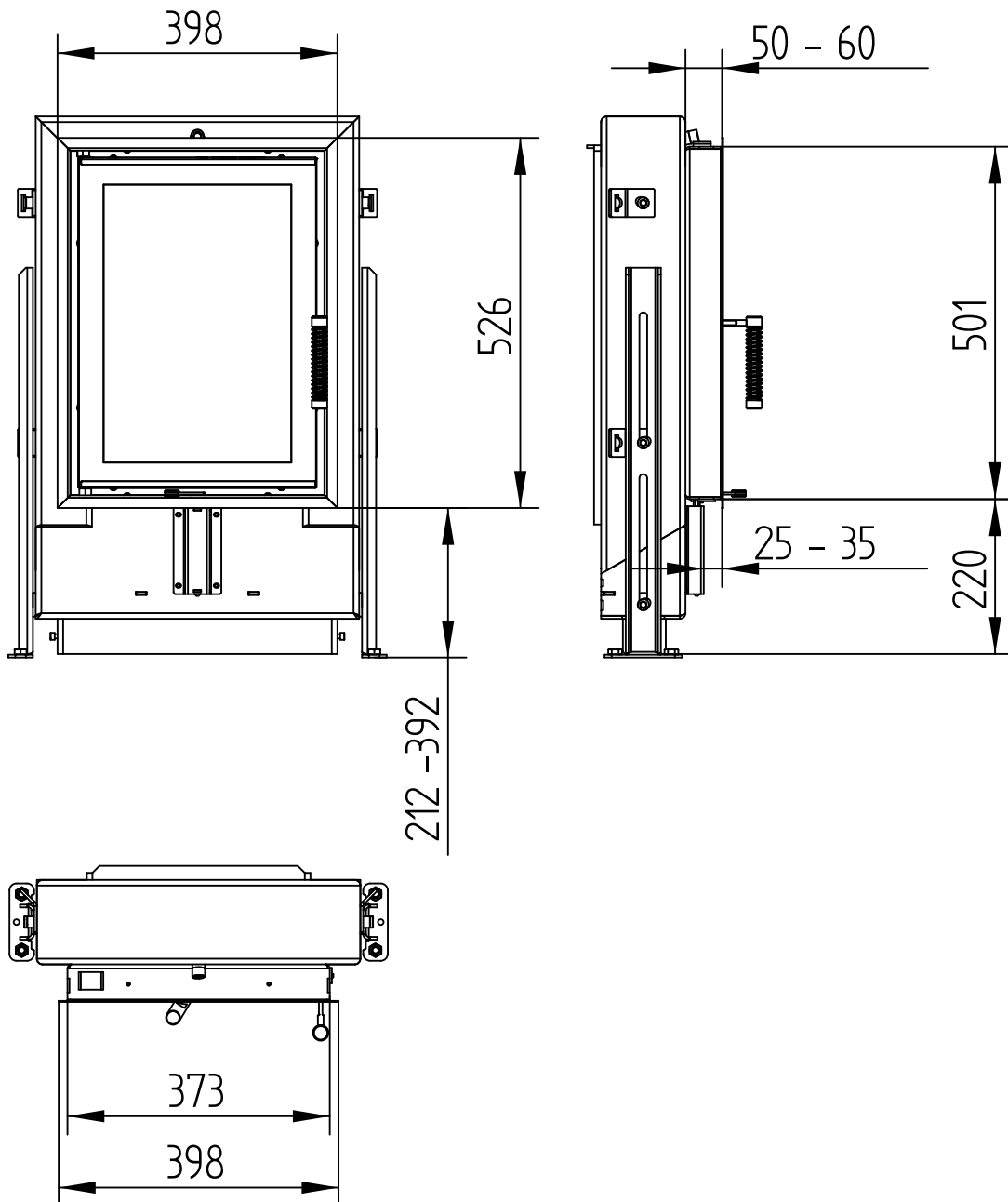


GT 37/50

Technical data
Version 07/2015

COVER FRAME 4-SIDED 1 x 90°

M 1 : 10



GT 37/50

Technical data
Version 07/2015

COVER FRAME 4-SIDED 2 x 45°

M 1 : 10

