

# Installation instruction



C 35 Low

*Contura*

## PERFORMANCE DECLARATION

No. C35L-CPR-130618-SE-1

# Contura

## PRODUCT

Product type Stove lit with solid biofuels  
 Type designation Contura 35L  
 Manufacturing number See rating plate on the stove  
 Intended area of use Heating of rooms in residential buildings  
 Fuel Wood

## MANUFACTURER

Name NIBE AB / Contura  
 Address Box 134, Skulptörvägen 10  
 SE-285 23 Markaryd, Sweden

## CHECKS

According to AVCP System 3  
 European standard EN 13240:2001 / A2:2004  
 Test institute Rein-Ruhr Feuerstätten Prüfstelle, NB 1625,  
 has checked declared performance and issued test report no. RRF-40 09 1955

## DECLARED PERFORMANCE

Essential characteristics	Performance	Harmonised technical specification
Reaction to fire	A1 WT	EN 13240:2001 / A2:2004
Minimum distance to combustible material	100 mm to rear 415 mm to side Other safety distances according to the installation instructions	
Risk of falling embers	Approved	
Emissions from combustion	CO 0.05% NOx 106 mg/m <sup>3</sup> OGC 53 mg/m <sup>3</sup> PM 27 mg/m <sup>3</sup>	
Surface temperatures	Approved	
Cleaning options	Approved	
Mechanical durability	Approved	
Emissions of hazardous substances	Approved	
Nominal output	5 kW	
Efficiency	80%	
Flue gas temperature in connector at nominal output	300°C	

The undersigned is responsible for the manufacture and conformity with the declared performance.



**Niklas Gunnarsson**, Business area manager NIBE STOVES  
 Markaryd, 1st July 2013



A warm welcome to Contura.

A warm welcome to the Contura family. We hope you will get a great deal of pleasure from your new stove. As a new owner of a Contura stove, you have secured a product with timeless design and long service life. Contura also has a combustion process that is both environmentally friendly and efficient, for the best heat production.

Read through these installation instructions carefully before installation. Read how to best light your stove in the lighting instructions.

### List of Contents

Technical details	68
Installation distance to walls and ceiling	69
Supply of combustion air	70
Connection to chimney	72
Installation of surround	74

### **NOTE:**

#### **Report the installation of a stove to your local authority.**

The owner of the house is personally responsible for ensuring compliance with the mandatory safety requirements and must have the installation approved by a qualified inspector. Your local chimney sweep must also be informed of the installation, as this will affect the routines for regular chimney-sweeping services.

### **WARNING!**

#### **The stove becomes very hot**

During operation, certain surfaces of the stove become very hot and can cause burn injuries if touched. Also, take heed of the strong heat radiated through the door glass. Placing flammable material closer than the safe distance indicated may cause a fire. Smoulder combustion can cause quick gas ignition with the risk of damage to property and personal injury.

## Technical details

Effect	3-7 kW
Nominal effect	5 kW
Efficiency	80 %

<b>Model</b>	<b>C35L</b>
Weight (kg)	116
Width (mm)	550
Depth (mm)	430
Height (mm)	1100

Type approved in accordance with:  
European standard EN-13240  
Swedish type approval,  
P-marking cert. no. 0112/07  
Norwegian standard NS 3059,  
SINTEF 110-0275  
German standard DIN Plus,  
RRF-40 09 1955

## Important to remember!

### Installation by authorised technician

This manual contains instructions on how the stoves must be assembled and installed. To ensure the function and safety of the stove, we recommend that the installation be carried out by an authorised technician. Contact one of our dealers who can recommend suitable fitters.

### Building permission

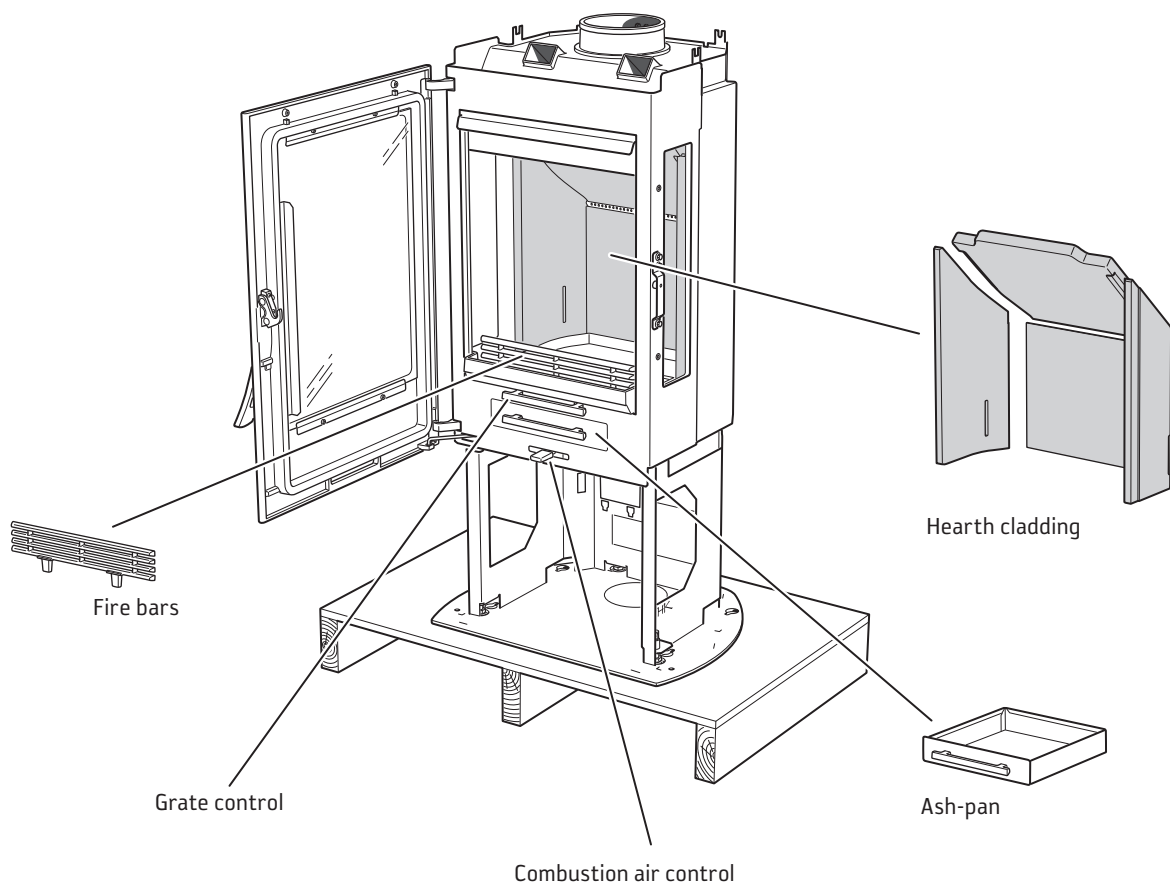
Before installing a stove or erecting a chimney, it is necessary for you to make an application for building permission to your local authority. Ask your local authority for advice regarding building regulations and the application.

### Structural support

Check that the wood joists are strong enough to bear the weight of the stove and chimney. The stove and chimney can usually be placed on a normal wooden joist in a single occupancy house, if the total weight does not exceed 400 kg.

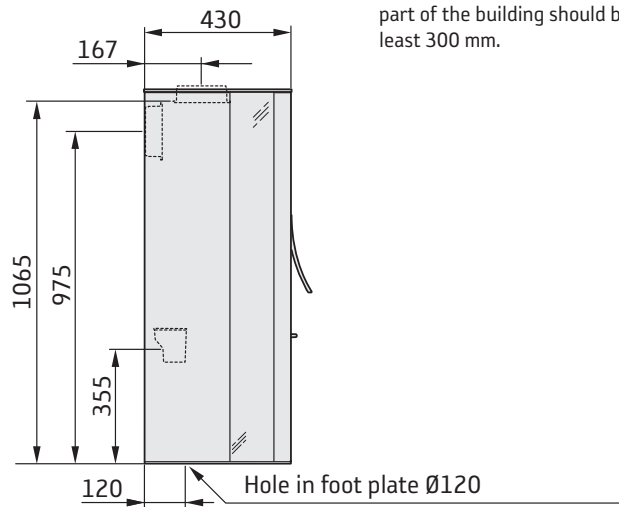
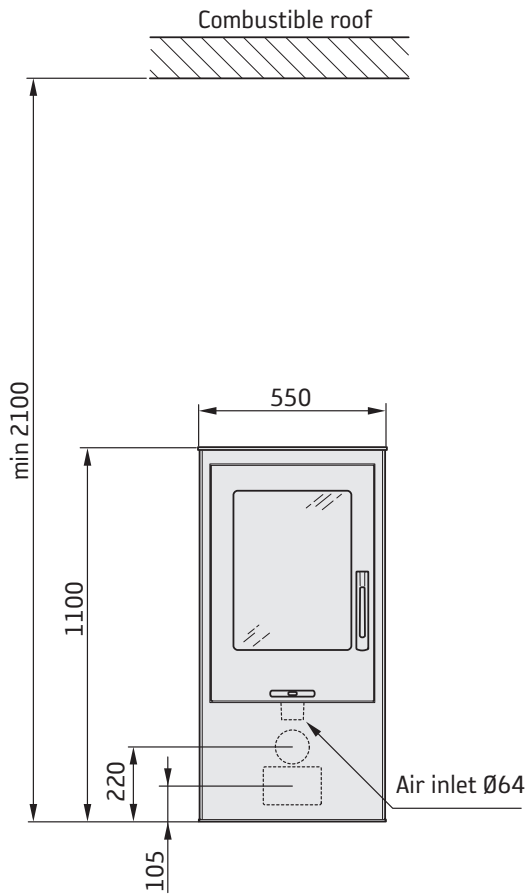
### Hearth plate

Due to the risk of embers falling out, a flammable floor must be protected by a hearth plate. It must extend 300 mm in front of the stove and 100 mm on each side of the stove, or have a 200 mm extension on each side of the opening. The hearth plate can consist of natural stone, concrete, metal plate or glass. A painted metal or glass hearth plate is available as an accessory for these models.



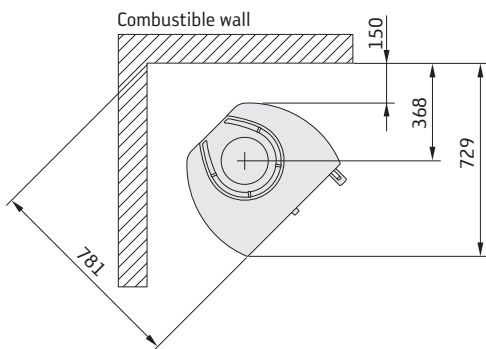
# Installation distance to walls and ceiling

C 35L

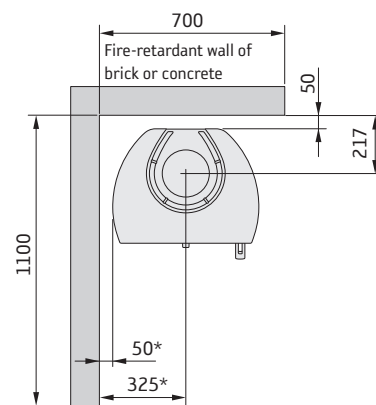
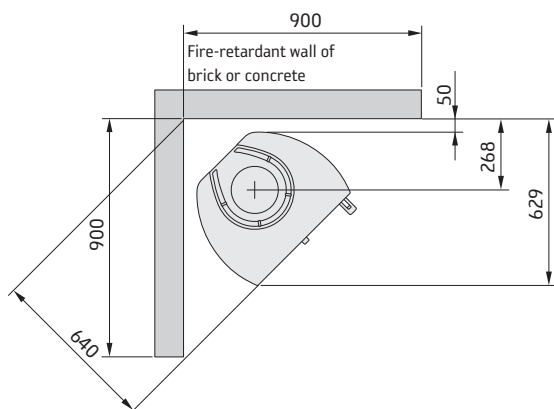
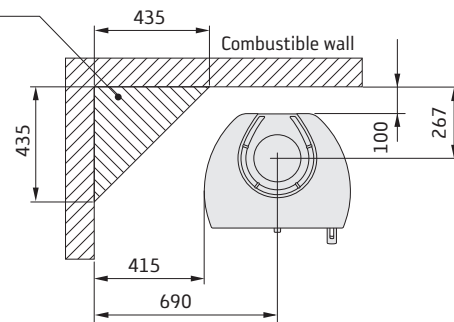


The minimum distance in front of the stove opening to combustable parts of the building or interior decoration must be at least 1 m.

The dimension diagrams only show the minimum permitted installation distances for the stove. When connecting to a steel flue, also note the safety distance requirements of the flue. The safety distance between an un-insulated flue and a combustable part of the building should be at least 300 mm.



Permitted area for combustable parts of the building



\*To prevent discolouration of painted fire walls, we recommend the same side distance as to combustable walls.

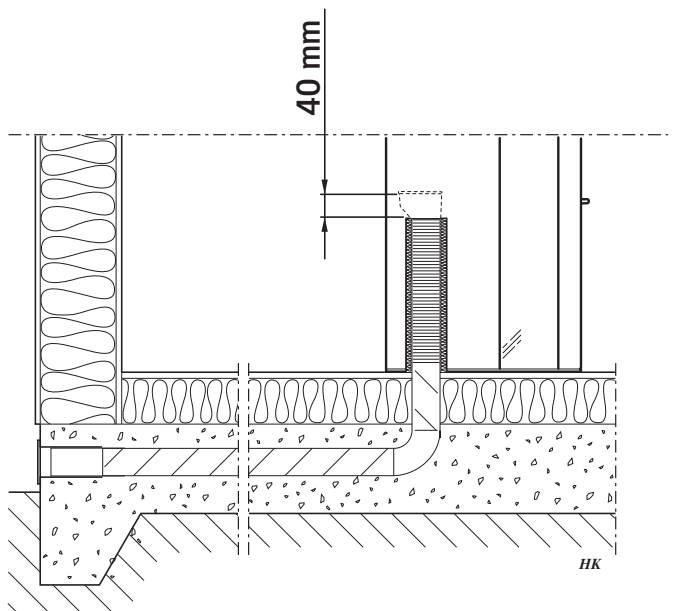
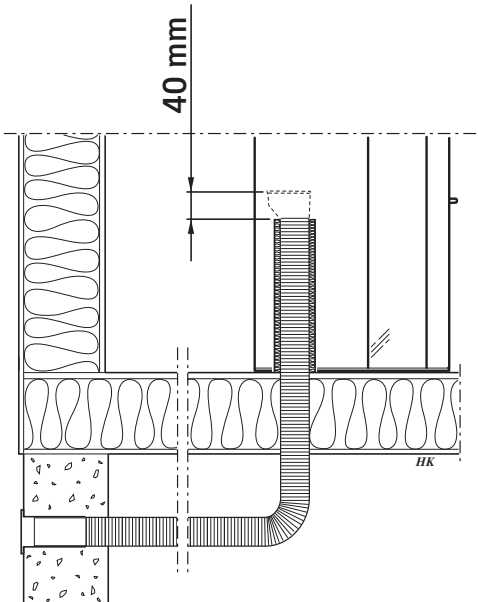
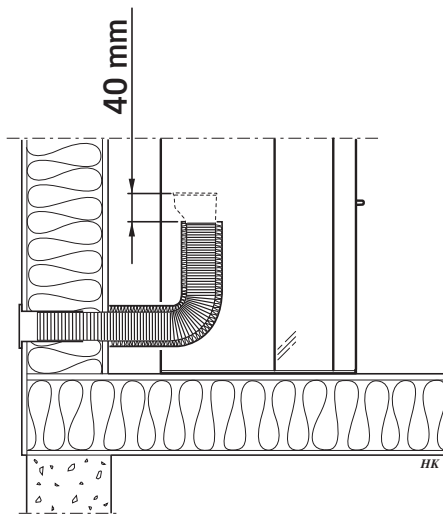
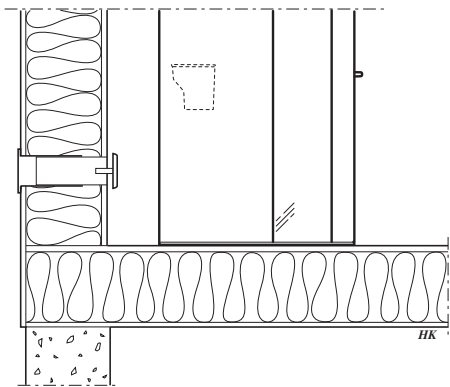
## Supply of combustion air

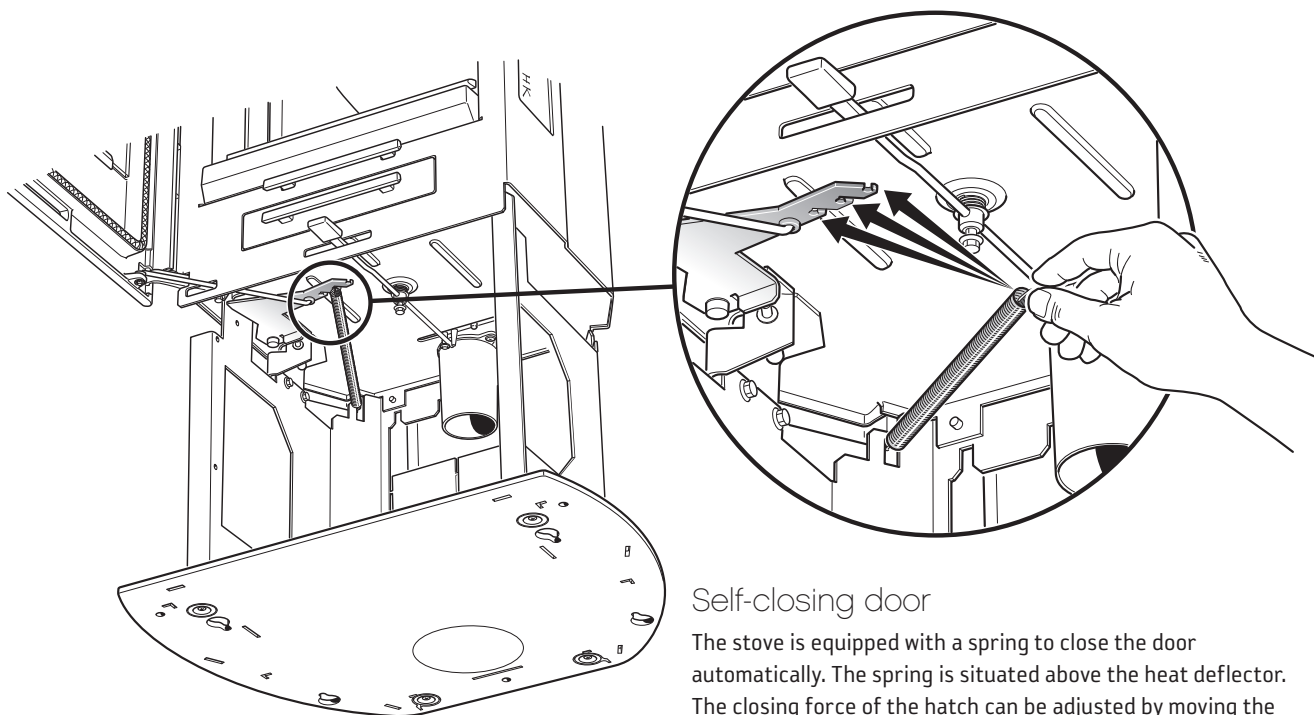
Combustion air can be provided directly via a duct from outside, or indirectly via a vent in the outer wall of the room where the stove is placed. The amount of combustion air that is used for combustion is approx. 20 m<sup>3</sup>/h.

Outside air can be connected through the floor plate or at two different heights through the two panels in the back of the stove. Tap out the knockout using a hammer. The air duct connector on the stove has an external diameter of Ø64 mm.

In hot areas, the duct has to be insulated with 30 mm mineral wool covered with a moisture barrier (plastic). It is important that the lead-in, between the pipe and the wall (or floor), is sealed using jointing compound. When duct routing for further than 1 m, the pipe diameter must be increased to 100 mm and a correspondingly larger wall vent must be selected.

A 1 m length of condensation-insulated ducting for combustion air is available as an accessory.

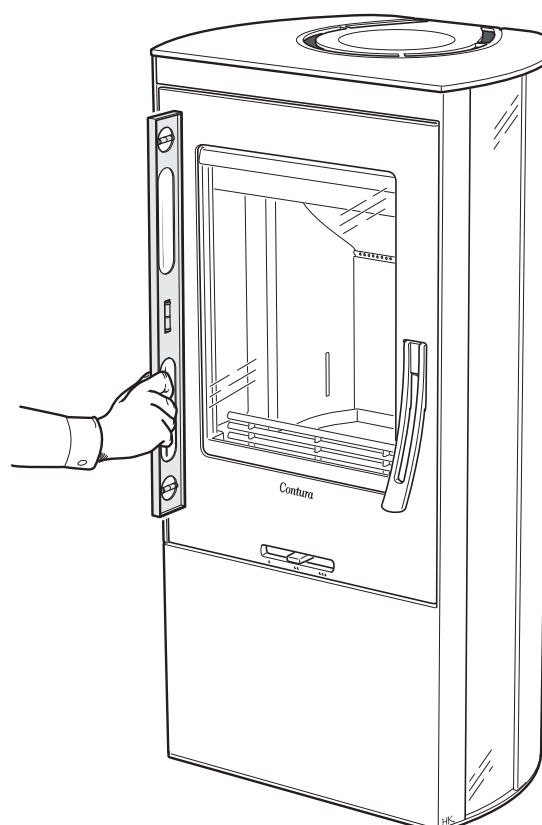




### Self-closing door

The stove is equipped with a spring to close the door automatically. The spring is situated above the heat deflector. The closing force of the hatch can be adjusted by moving the spring between the three notches on the lever. The angle of the stove also affects the closing force of the spring.

If the spring force seems weak, despite the spring being mounted at the end of the lever, the angle of the stove should be checked. Adjust with adjustable feet if necessary.



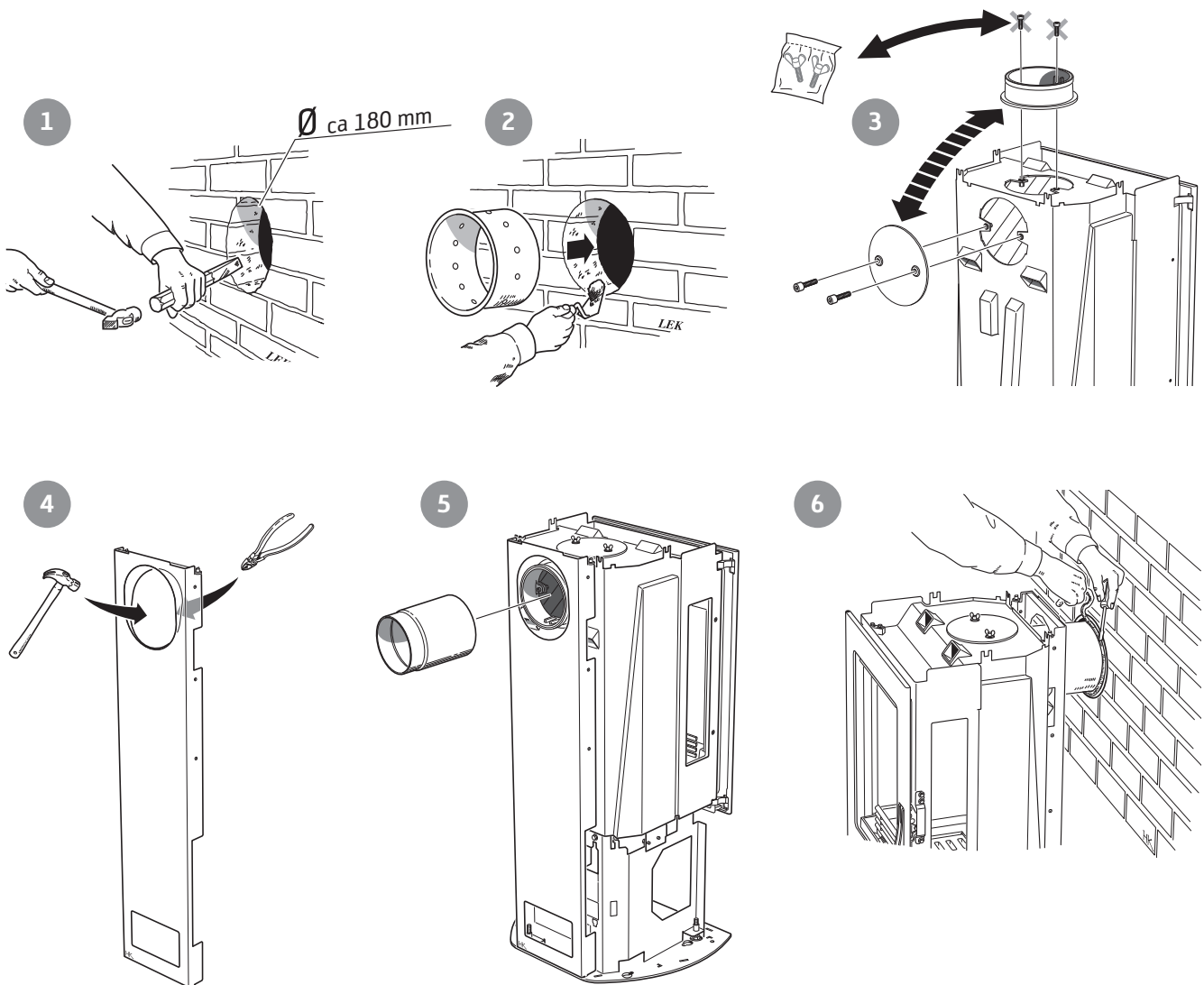
## Connection to chimney

- The stove meets the requirements for connecting to chimneys dimensioned for flue gas temperatures of 350°C.
- The external diameter of the connection sleeve is 150 mm.
- The stove requires a draft in the chimney of at least -12 Pa. The draft is affected both by the length and area of the chimney, and by how well sealed it is. The minimum recommended chimney length is 3.5 m and suitable cross-sectional area is 150-200 cm<sup>2</sup> (140-160 mm in diameter).
- A flue with sharp bends and horizontal routing reduces the draught in the chimney. The maximum horizontal flue is 1 m, on the condition that the vertical flue length is at least 5 m.
- It must be possible to sweep the full length of the flue and the soot doors must be easily accessible.
- Carefully check that the chimney is sealed and that there is no leakage around soot doors and flue connections.

### Rear connection to a masonry chimney

The back panel must be installed before the stove is connected at the rear.

In the bag with these installation instructions are two wing screws for the cover.



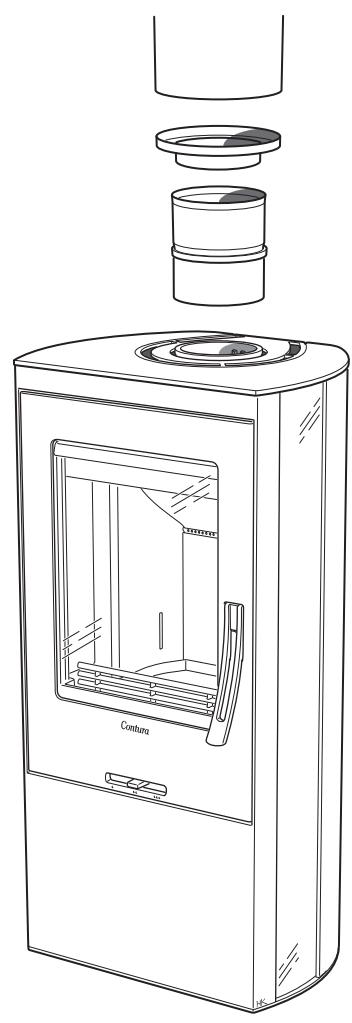
Make sure that the connector gasket does not come loose when the connection pipe is placed on the sleeve. If further sealing material is required, heat-resistant sealant may be used.



# Connection to chimney

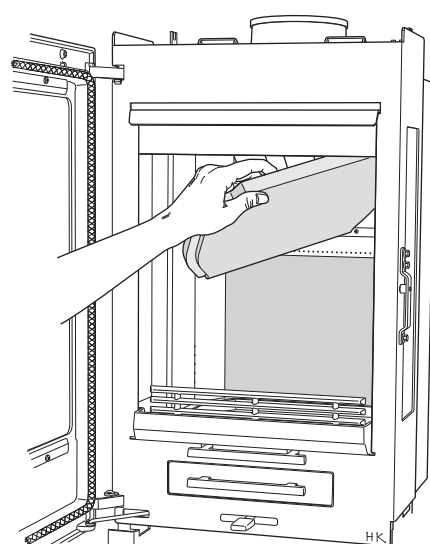
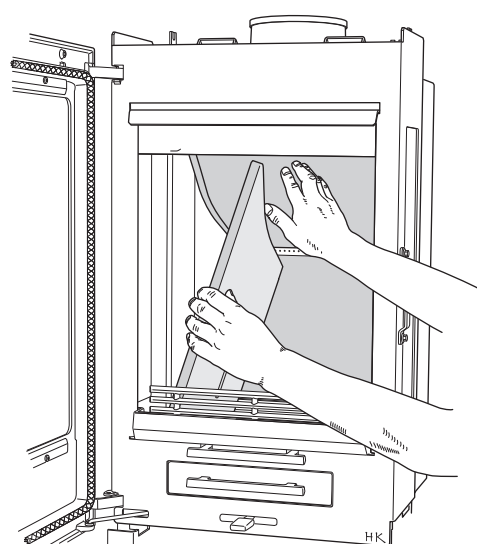
## Top connection to the chimney

The hot air grille must be installed before the chimney is connected to the top.

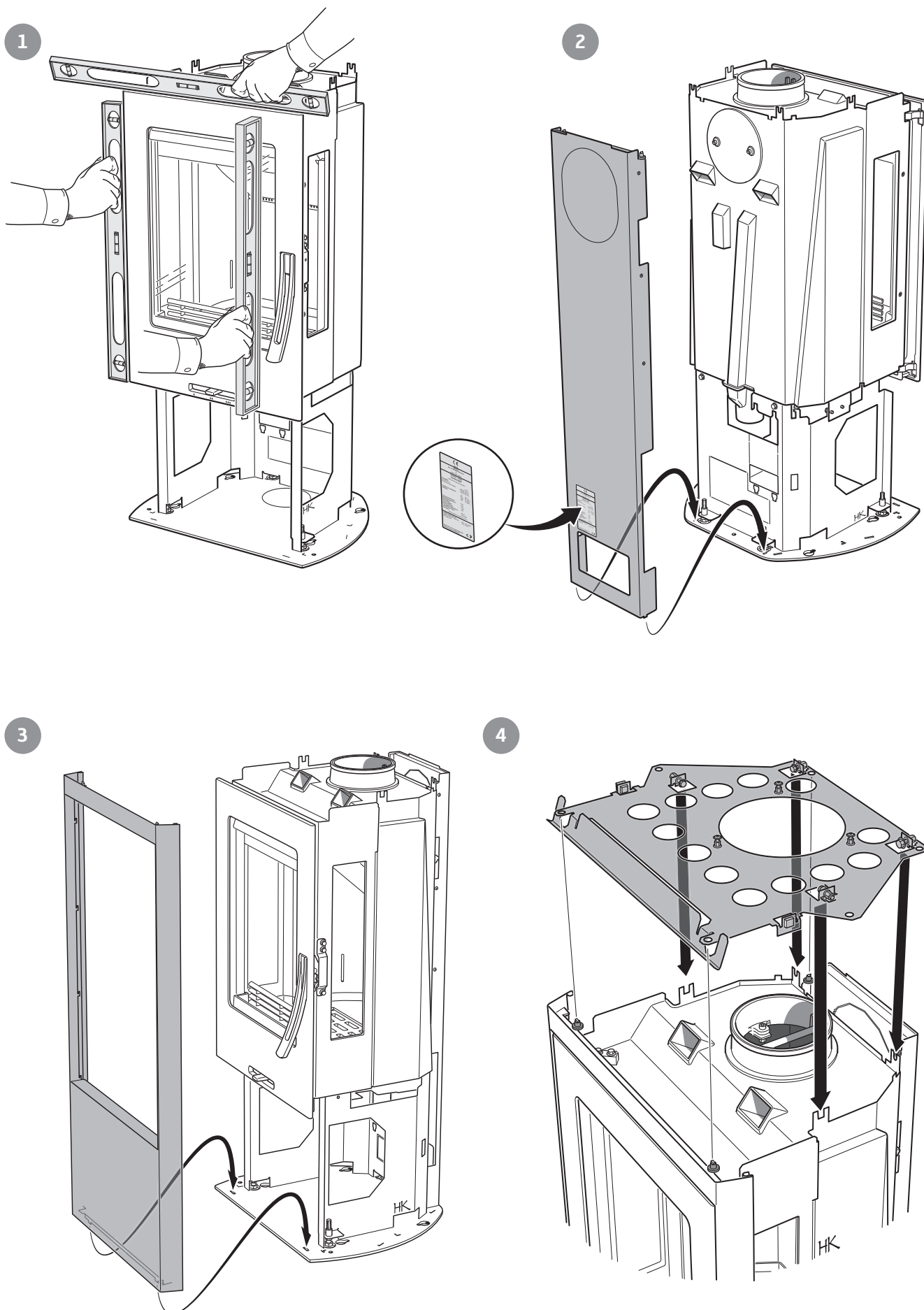


## Sweeping

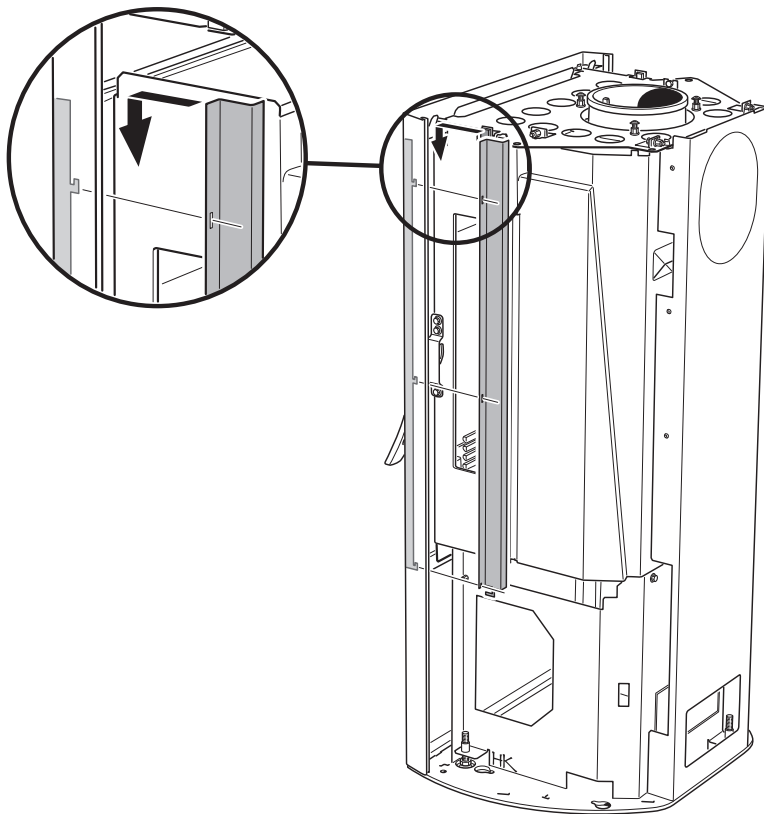
When sweeping, the smoke baffle must be removed; on the Contura 30 series this can be done by lifting the smoke baffle and removing the side piece. Lift the smoke baffle out and remove the remaining sections. Handle the parts with care.



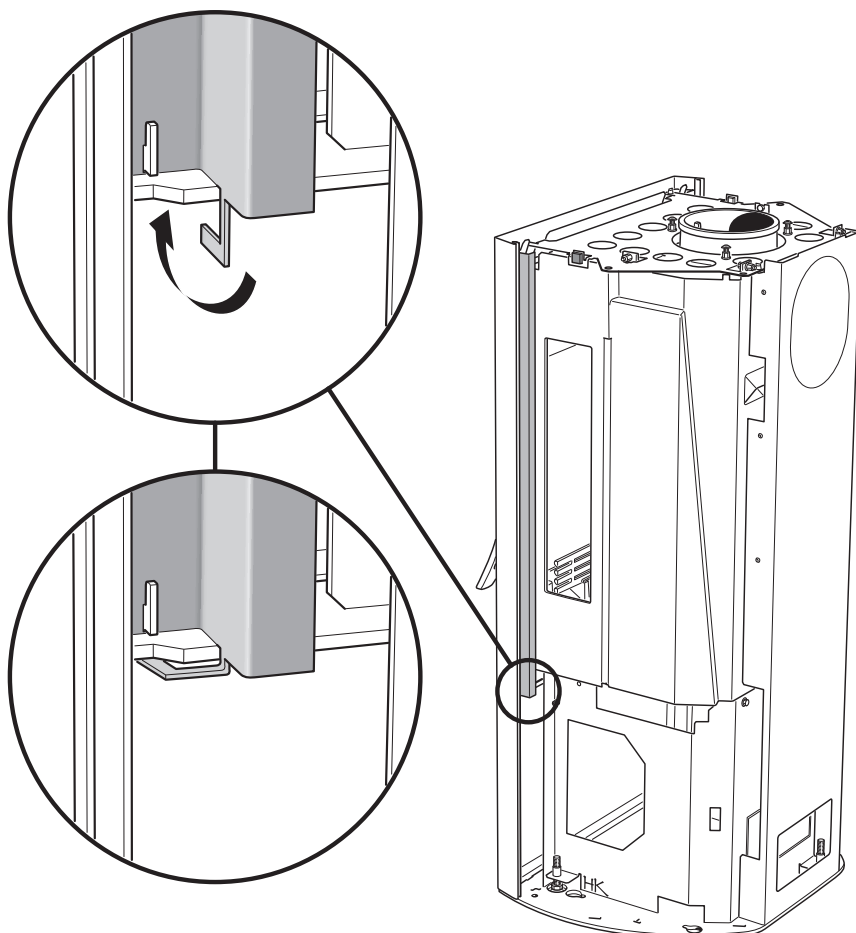
## Installation of surround

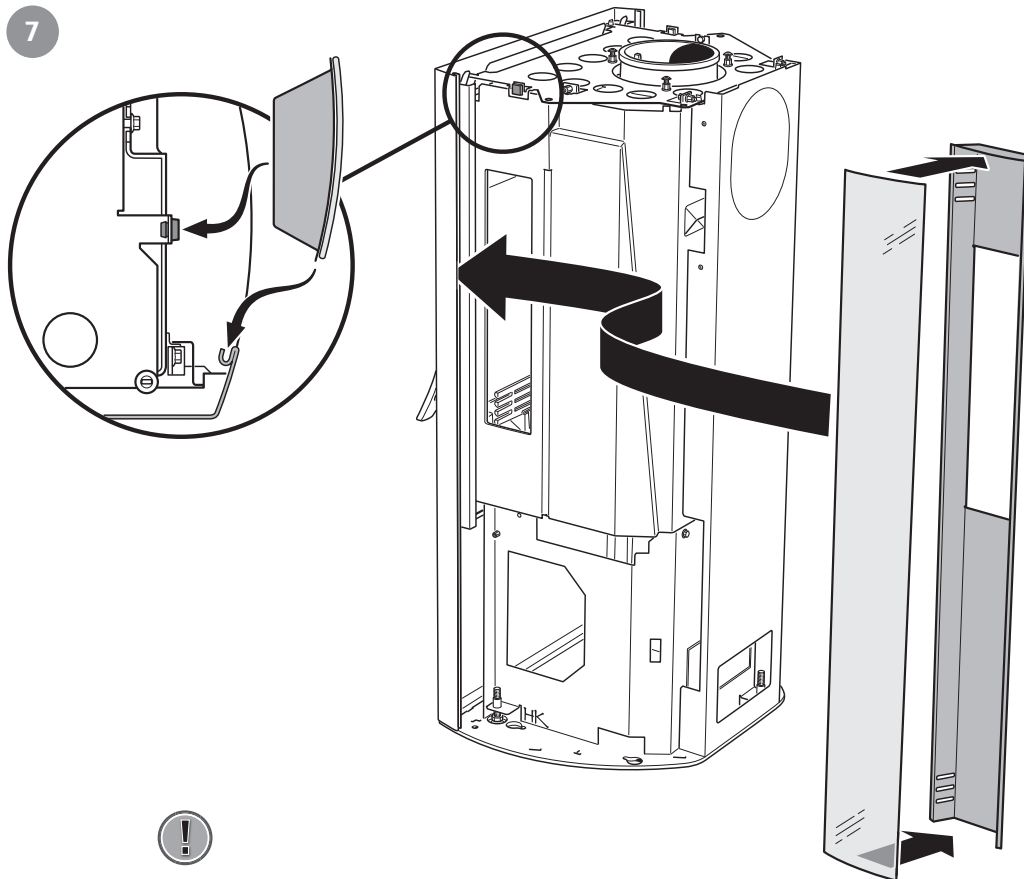


5

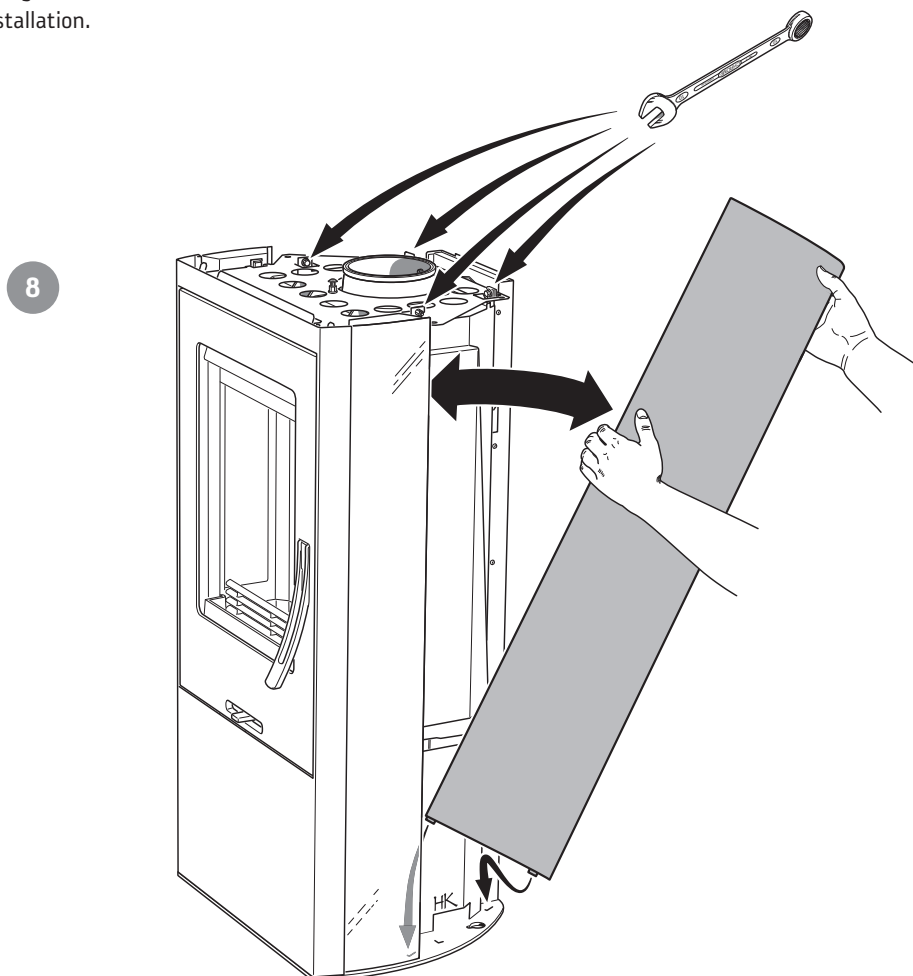


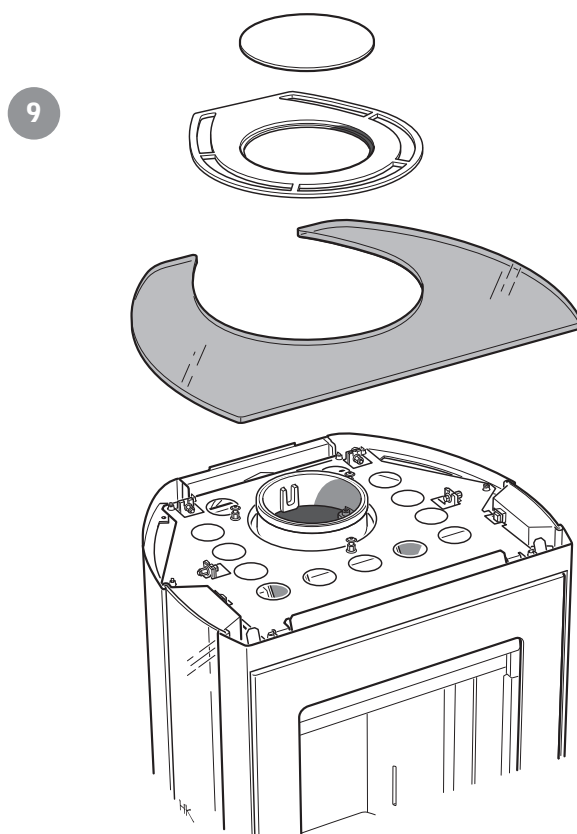
6





Clean the inner and outer side glass before further installation.





### Final inspection of the installation

It is extremely important that the installation is inspected by an authorised chimney sweep before the stove is used. Also read the "Lighting instructions", before lighting for the first time.







811224 IAV SE-EX C35L-7  
2015-10-07

# *Contura*

NIBE AB · Box 134 · 285 23 Markaryd · Sweden  
[www.contura.eu](http://www.contura.eu)

Contura reserves the right to change dimensions and procedures described in these instructions at any time without special notice. The current edition can be downloaded from [www.contura.eu](http://www.contura.eu)