

| OPERATION WHEN DIRECTLY CONNECTED TO CHIMNEY | |
|--|----------------------|
| Tested according to | EN 13229 |
| Nominal heat power | 10,5 kW |
| Efficiency | > 80 % |
| Consumption of wood | 3,1 kg/h |
| Mass flow of flue gas | 8,8 g/s |
| Average flue gas temperature on the output | 315 °C |
| Heat distribution | |
| fireplace insert | 49 % |
| door glass (single / double) | 51 / - % |
| Required chimney pressure | 12 Pa |
| Required amount of combustion air | 30 m ³ /h |
| Minimum supply air grating cross-section | 700 cm ² |
| Minimum outgoing air grating cross-section | 850 cm ² |

| OPERATION WITH CONNECTED ACCUMULATION MASS | |
|---|----------------------|
| Load of wood | 4,5 kg |
| Total heat output of the burning chamber | 18 kW |
| Mass flow of flue gas | 15 g/s |
| Average flue gas temperature on the output ¹⁾ past 2,4 m of ceramic accumulation system KMS 300 ²⁾ | 359 °C 224 °C |
| Heat distribution | |
| fireplace insert | 35 % |
| door glass (single / double) | 51 / - % |
| adjoining accumulation mass | 14 % |
| Required chimney pressure | 12 Pa |
| Required amount of combustion air | 45 m ³ /h |

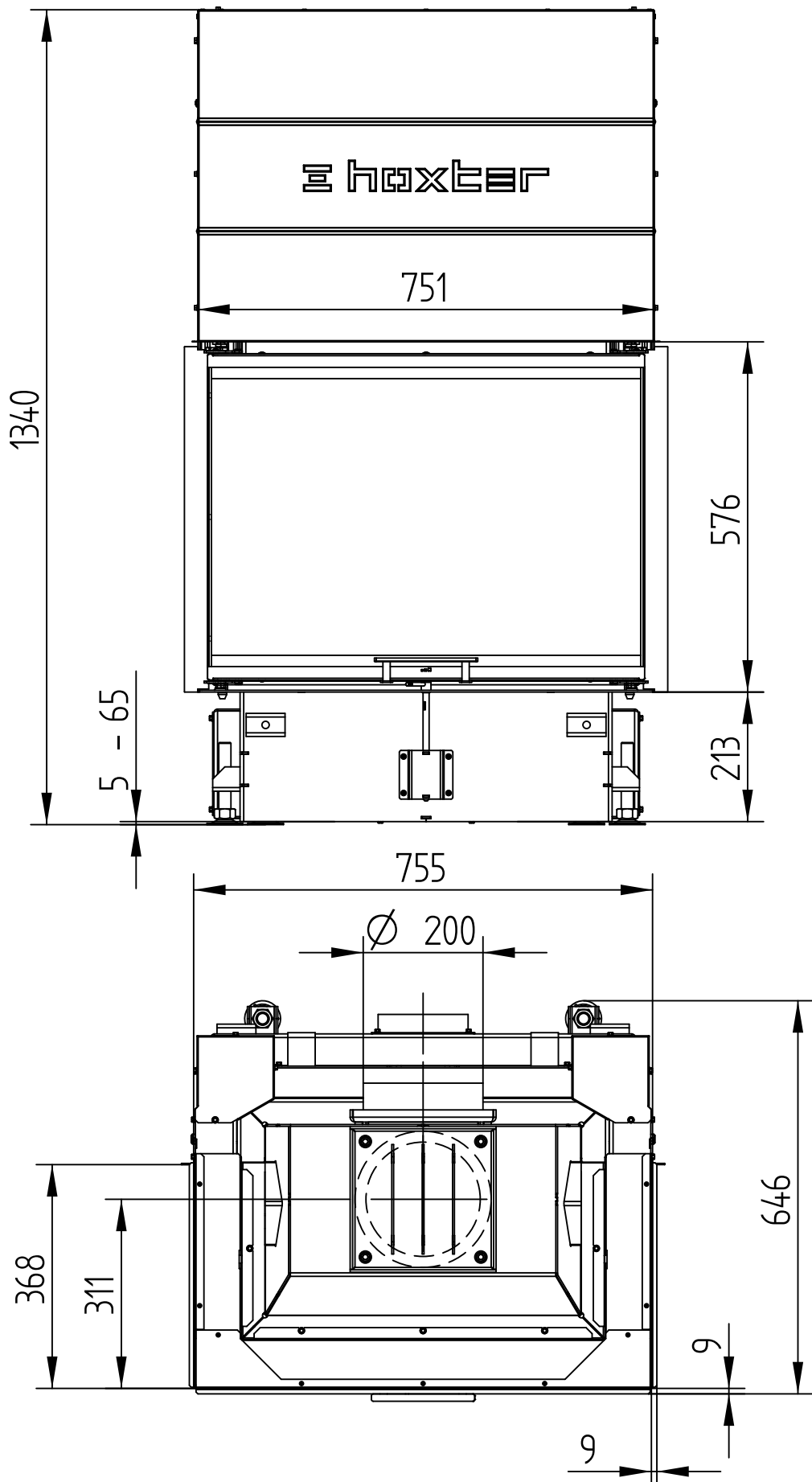
| GENERAL TECHNICAL INFORMATION | |
|--|---------------------------|
| Combustion air connection | Ø 150 mm |
| Total weight / lining weight | ca. 277 / 69 kg |
| Use in non-ventilated accumulation builds according to craft rules | - |
| Meets values | BlmSchV (Stufe2), 15a BVG |

1) The Hoxter products are available in the Austrian stove-calculation program for evaluation of firebrick accumulation systems.

2) Only a sample calculation! For accurate results is evaluation of each system in the KMS-calculation program from the Ortner company necessary.

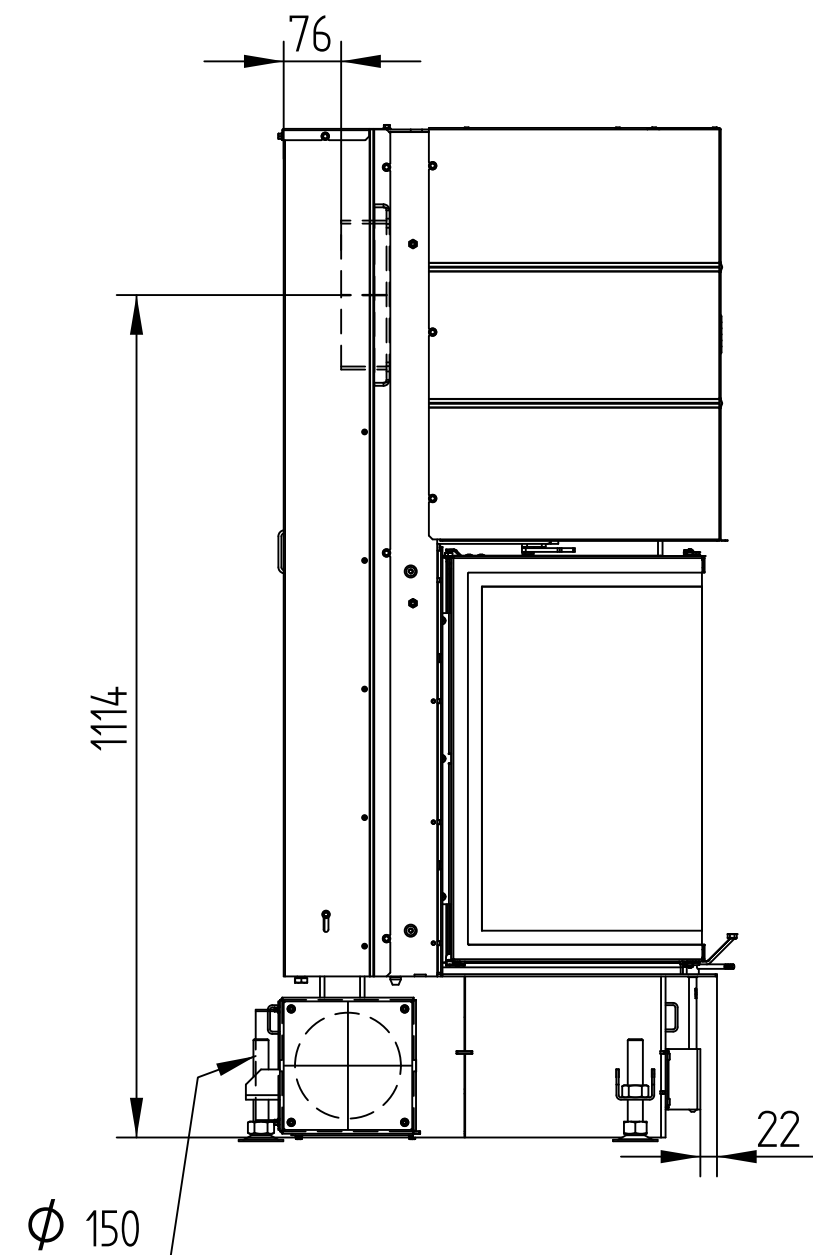
UKA 37/75/37/57h

Technical data
Version 07/2015



UKA 37/75/37/57h

Technical data
Version 07/2015



UKA 37/75/37/57h

Technical data
Version 07/2015

BUILD-ON FRAME 8-SIDED

