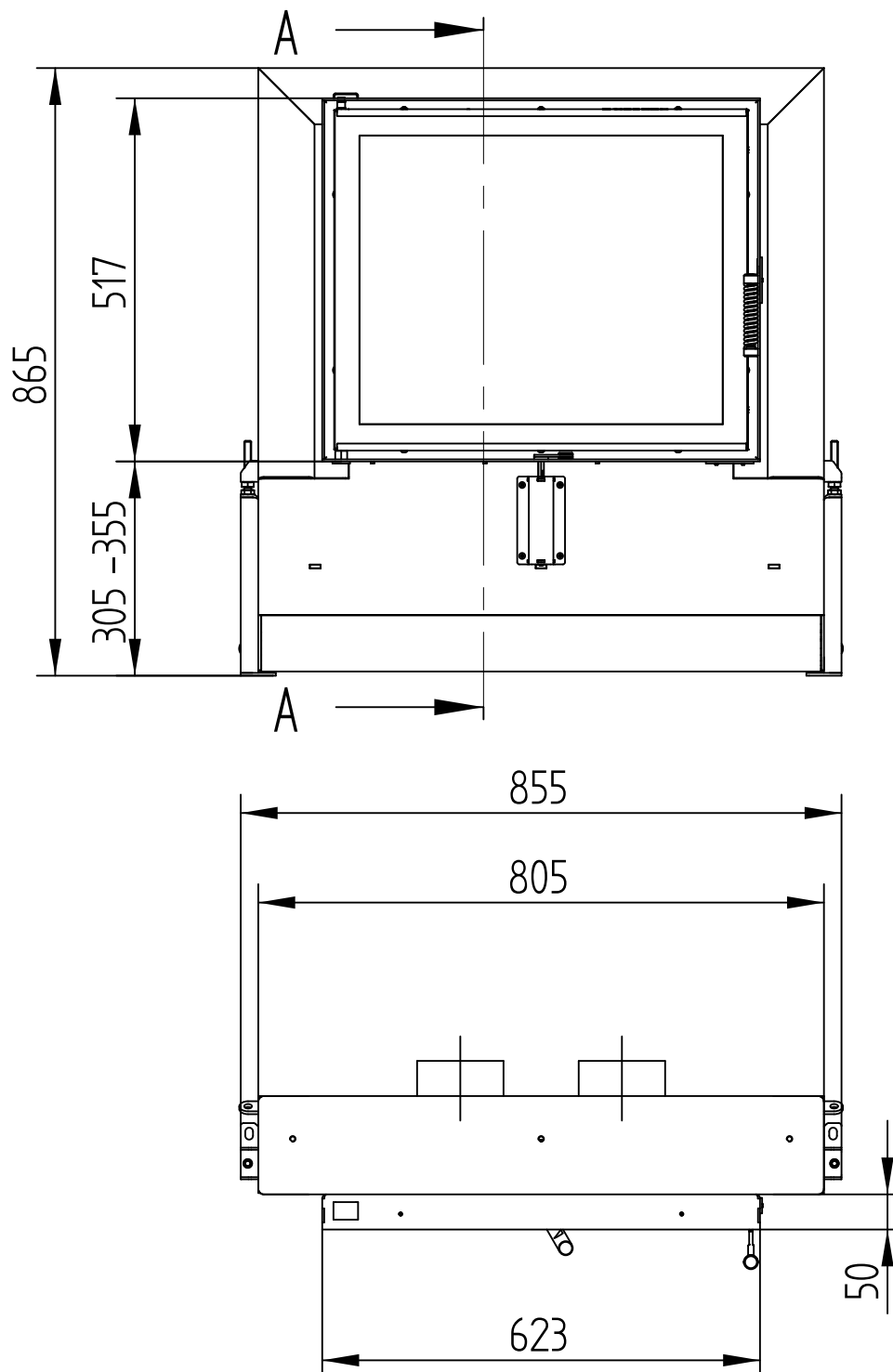
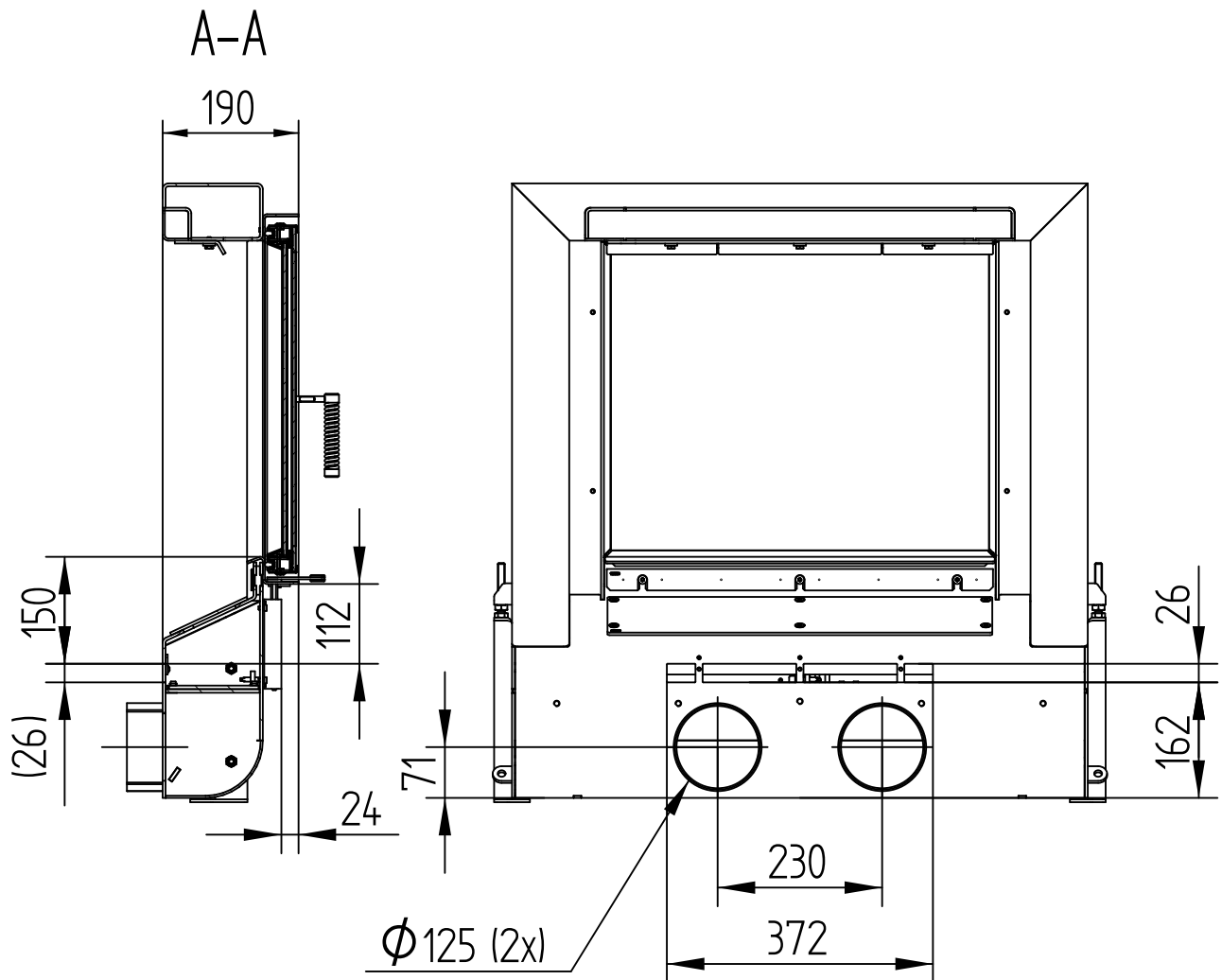


GENERAL TECHNICAL INFORMATION	
Recommended wood load	12 kg
Maximum cross-section of the supply air connection	220 cm <sup>2</sup>
Combustion air connection	2 × Ø 125 mm
Free glass area	1148 cm <sup>2</sup>

M 1 : 10



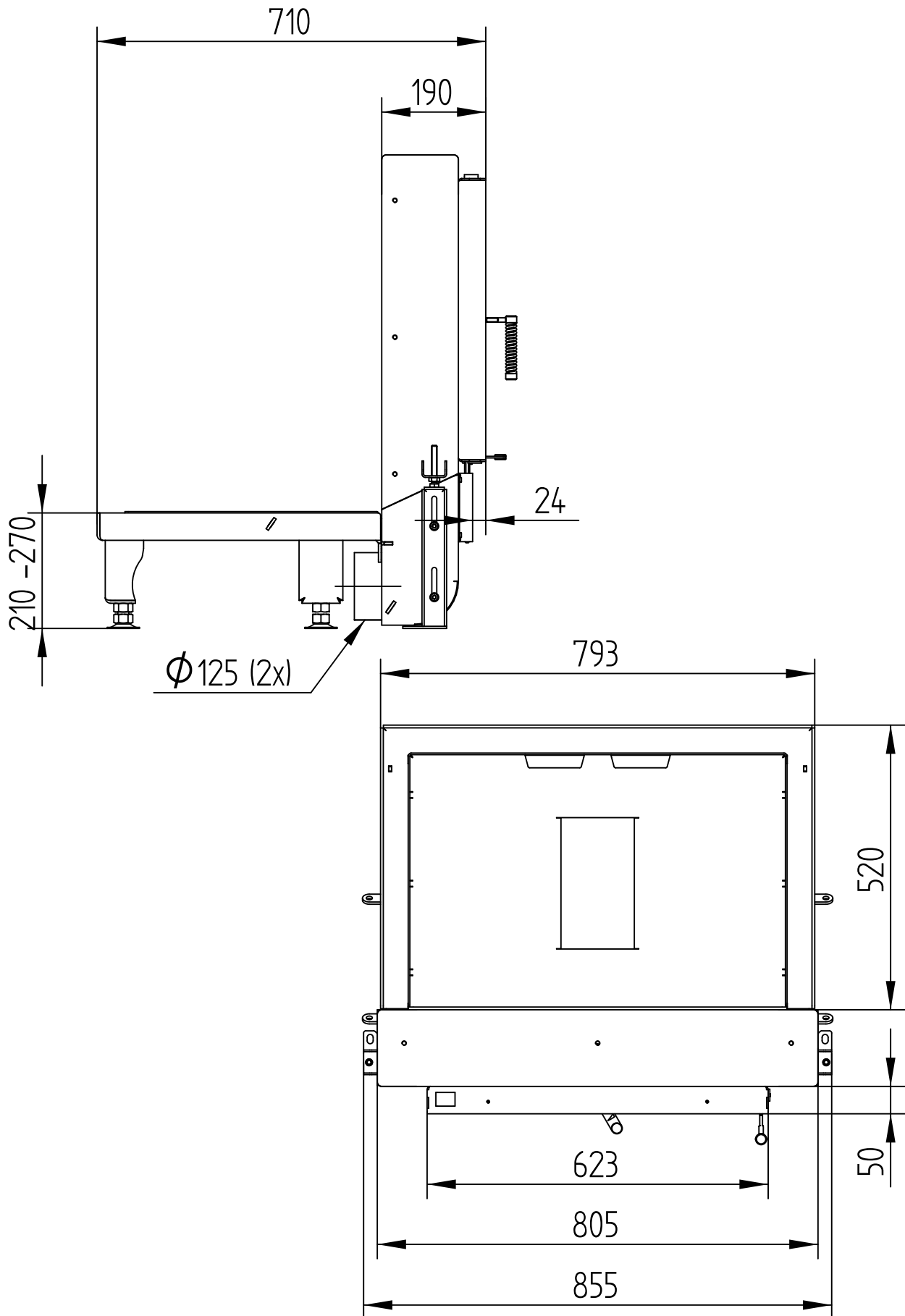


# GT2 63/51

Technical data  
Version 07/2015

WITH BASE

M 1 : 10

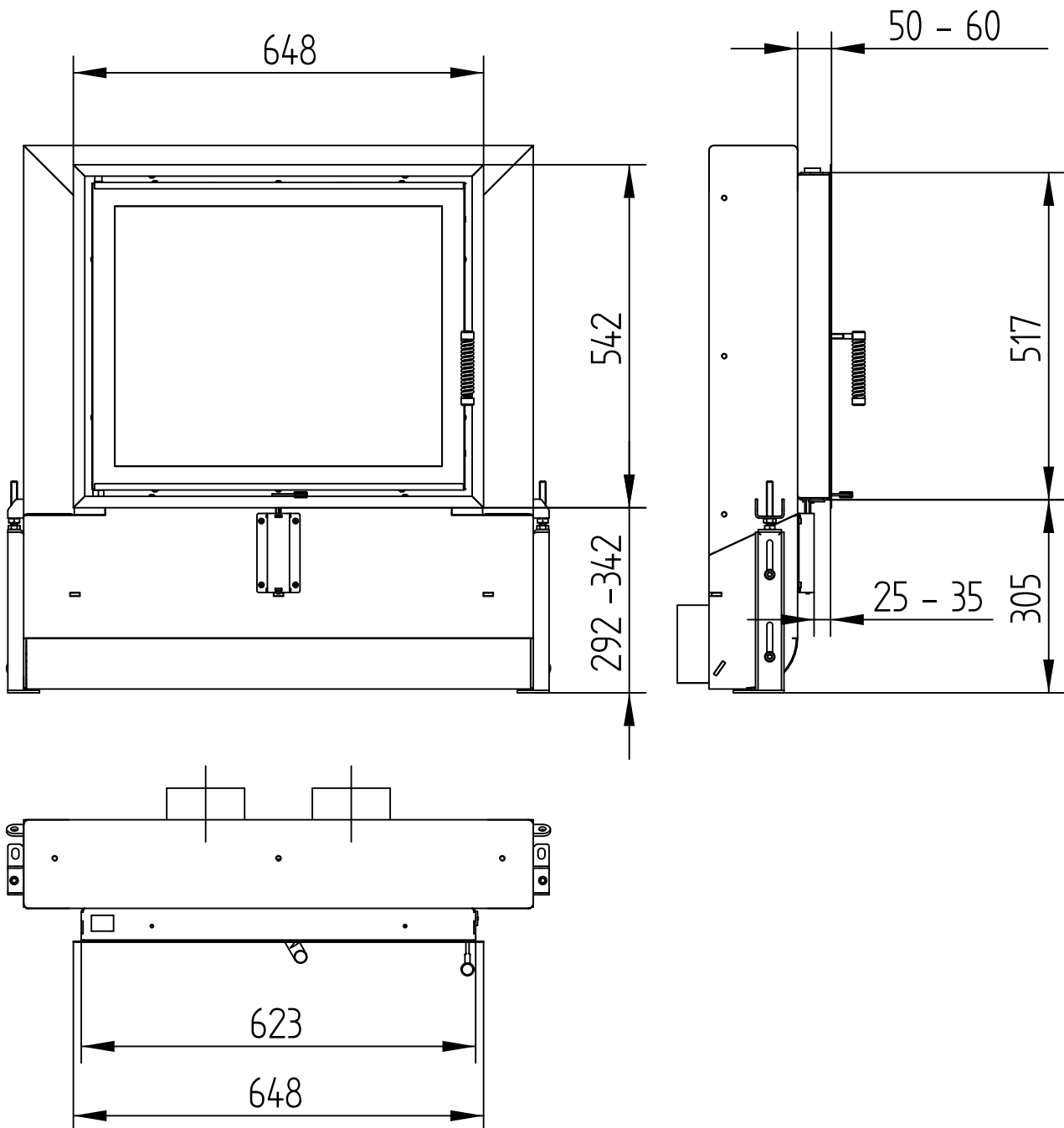


# GT2 63/51

Technical data  
Version 07/2015

COVER FRAME 4-SIDED 1 x 90°

M 1 : 10



# GT2 63/51

Technical data  
Version 07/2015

COVER FRAME 4-SIDED 2 x 45°

M 1 : 10

